



SERVICE PARTS LIST

1/4" PISTOL DRILL

Catalog No. 0191

Starting Serial No. **394-2394**

Specify Catalog and Serial No. when ordering parts

BUL.54-06-1504

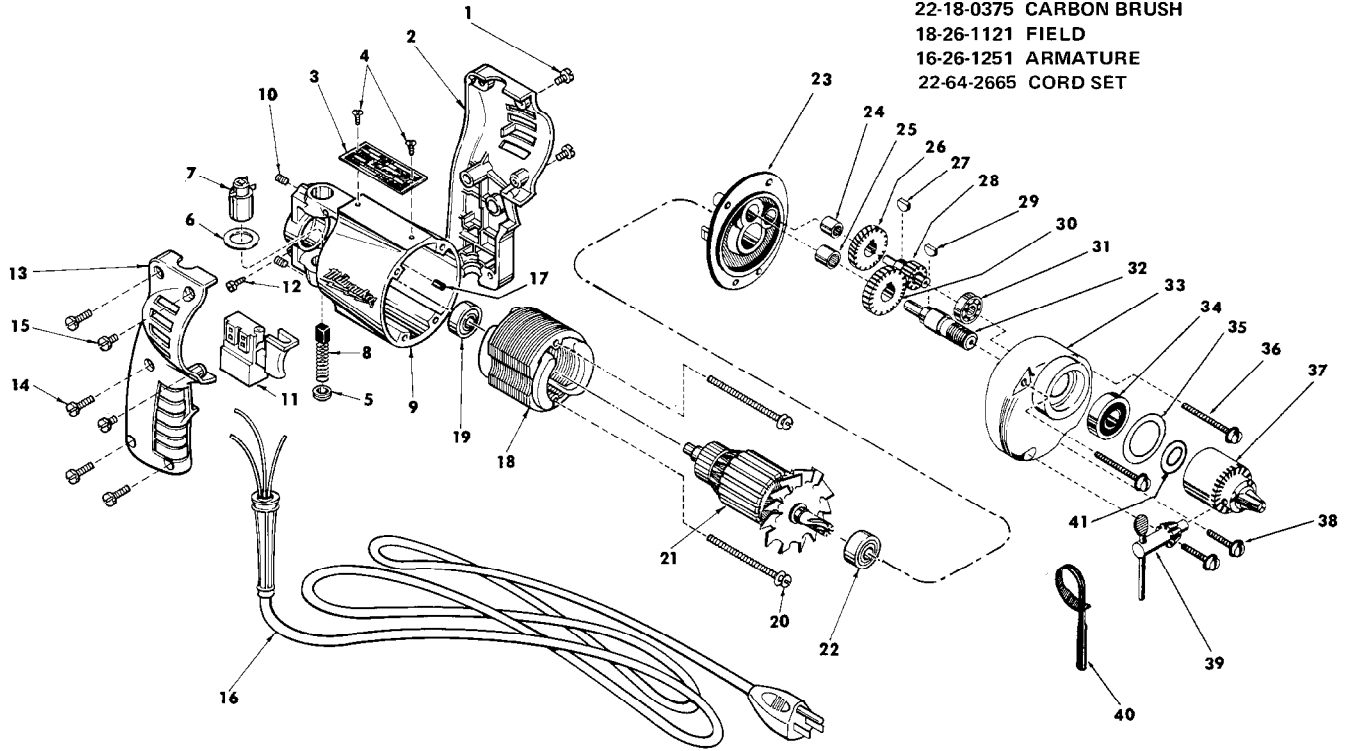
REVISED BUL.
54-06-1503

DATE
Sept. '74

WIRING INSTRUCTIONS
58-01-0646

1700 R.P.M.

FOR 230V TOOL USE:
22-18-0375 CARBON BRUSH
18-26-1121 FIELD
16-26-1251 ARMATURE
22-64-2665 CORD SET



| FIG. | PART NO. | DESCRIPTION OF PART | NO. REQ. | FIG. | PART NO. | DESCRIPTION OF PART | NO. REQ. |
|------|----------|--|----------|------|----------|--------------------------------------|----------|
| | 1 | 06-81-0450 8-32x3/8 Pan Hd. Screw | (2) | | 22 | 02-04-0880 Ball Bearing | (1) |
| ★ | 2 | 31-44-0290 L.H. Handle Half | (1) | | 23 | 28-28-0221 Diaphragm | (1) |
| | 3 | 12-99-0020 Nameplate Blank | (1) | | 24 | 02-50-1210 Needle Bearing | (1) |
| | 4 | 06-85-0200 Nameplate Screw | (2) | | 25 | 02-50-1640 Needle Bearing | (1) |
| | 5 | 23-44-0020 Brush Retaining Cap | (2) | | 26 | 32-40-1041 Intermediate Gear | (1) |
| | 6 | 23-86-0105 Insulating Washer | (2) | | 27 | 06-42-0400 Woodruff Key | (1) |
| | 7 | 22-22-0251 Brush Holder Assy. | (2) | | 28 | 36-66-3701 Intermediate Pinion Shaft | (1) |
| ★ | 8 | 22-18-0155 Carbon Brush Assy. | (2) | | 29 | 06-42-0800 Woodruff Key | (1) |
| | 9 | 28-50-6091 Motor Housing (Incl. Fig. No. 17) | (1) | | 30 | 32-75-2381 Spindle Gear | (1) |
| | 10 | 06-83-2430 10-32x1/4 Soc. Hd. Set Screw | (2) | | 31 | 02-04-0640 Ball Bearing | (1) |
| ★ | 11 | 23-66-0515 Switch | (1) | | 32 | 38-50-1051 Spindle | (1) |
| | 12 | 06-81-8625 Ground Screw | (1) | | 33 | 28-14-0363 Gear Case | (1) |
| ★ | 13 | 31-44-0280 R.H. Handle Half | (1) | | 34 | 02-04-1020 Ball Bearing | (1) |
| | 14 | 06-81-0400 8-32x3/4 Pan Hd. Screw | (4) | | 35 | 34-80-1400 Retaining Ring | (1) |
| | 15 | 06-81-0450 8-32x3/8 Pan Hd. Screw | (2) | | 36 | 06-81-6575 8-32x1-5/8 Fil. Hd. Sems | (2) |
| ★ | 16 | 22-64-0665 Cord Set | (1) | | 37 | 48-66-0260 Chuck | (1) |
| | 17 | 45-30-0120 Ball Bearing Ret. Slug | (1) | | 38 | 06-81-6350 8-32x1 Fil. Hd. Sems | (2) |
| | 18 | 18-22-1121 Field | (1) | | 39 | 48-66-3200 Chuck Key | (1) |
| | 19 | 02-04-0740 Ball Bearing | (1) | | 40 | 48-66-4080 Key Holder | (1) |
| | 20 | 06-81-5950 6-32x1-7/8 Fil. Hd. Screw | (2) | | 41 | 45-88-0080 Chuck Washer | (1) |
| | 21 | 16-22-1251 Armature Assy. | (1) | ★ | 42 | 12-98-7081 Caution Plate (Not Shown) | (1) |