



# SERVICE PARTS LIST

**BUL.54-06-1203**

**1/4" PISTOL DRILL**

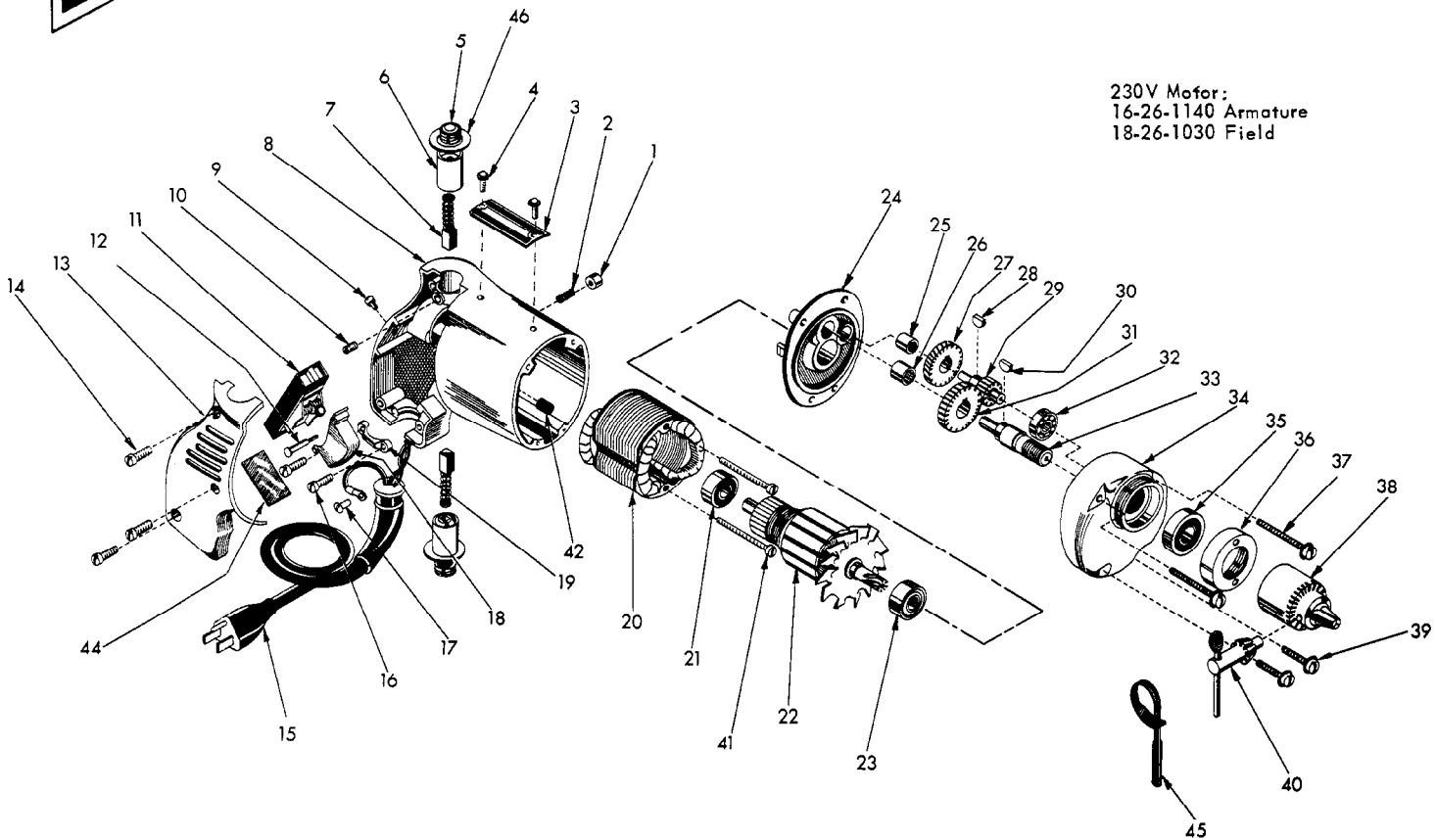
REVISED BUL 54-06-1203 DATE Aug. '70

**Catalog No. 0180**

Starting Serial No. **93-6075**

WIRING INSTR. **58-01-0010**

Both Model and Serial No. must be furnished to obtain correct parts.



230V Motor:  
16-26-1140 Armature  
18-26-1030 Field

FIG.	PART NO.	DESCRIPTION OF PART	NO. REQ.
	1	42-42-0061 Trigger Lock Button	
	2	40-50-1200 Trigger Lock Spring	
	3	12-98-0600 Name Plate	
	★ 4	06-85-0200 Name Plate Screw	(2)
	5	23-44-0020 Brush Retaining Cap	(2)
	6	22-22-0050 Brush Holder Assembly	(2)
	7	22-18-0090 Carbon Brush Assembly	(2)
	★ 8	28-50-4447 Motor Hsg. (Inc. items 1,2,12,13,14 & 42)	
	9	06-81-5800 6-32x5/16 Fil.Hd.Sems Switch Mtg. Scr.	
	10	06-83-2430 10-32x1/4 Skt. Hd. Set Screw	(2)
	11	23-66-0280 Switch	
	★	06-97-1800 Switch Lock Washers	(4)
	12	44-70-0071 Trigger Lock Shaft	
	13	28-20-3002 Handle Cover	
	14	06-81-6150 8-32x1/2 Fil.Hd.Sems Handle Cover Scr.(3)	
	15	22-64-0170 Cord Set	
	16	06-81-6150 8-32x1/2 Fil.Hd.Sems Cord Clamp Scrs.(2)	
	17	06-81-8625 Ground Screw	
	★ 18	31-92-0102 Switch Trigger	
	19	28-17-0400 Cord Clamp	
	20	18-22-1030 Field	
	21	02-04-0740 Armature Ball Bearing (Comm.End)	
	22	16-22-1120 Armature Assembly	
	23	02-04-0880 Armature Ball Bearing (Pinion End)	

FIG.	PART NO.	DESCRIPTION OF PART	NO REQ.
	24	28-28-0221 Diaphragm	
	25	02-50-1210 Needle Bearing	
	26	02-50-1640 Needle Bearing	
	27	32-40-1041 Intermediate Gear	
	28	06-42-0400 No. 201 Woodruff Key	
	29	36-66-1601 Intermediate Pinion Shaft	
	30	06-42-0800 Woodruff Key	
	31	32-75-1461 Spindle Gear	
	32	02-04-0640 Intermediate Shaft Ball Bearing	
	33	38-50-1051 Spindle	
	34	28-14-0361 Gear Case	
	35	02-04-1020 Ball Bearing	
	36	42-52-0060 Bearing Cap	
	37	06-81-6550 8-32x1 1/2 Fil.Hd.Sems Gear Case Scrs. (2)	
	38	48-66-0260 Chuck	
	39	06-81-6300 8-32x7/8 Fil.Hd.Sems Gear Case Scrs. (2)	
	40	48-66-3200 Chuck Key	
	41	06-81-5950 6-32x1-7/8 Fil.Hd. Field Screws (2)	
	42	45-30-0060 Ball Bearing Ret. Slug	
	44	23-16-0265 Switch Insulator	
	45	48-66-4080 Key Holder	
	★ 46	23-86-0070 Insulating Washer (2)	