



SERVICE PARTS LIST

BUL. 54-06-1002

1/4" PISTOL DRILL

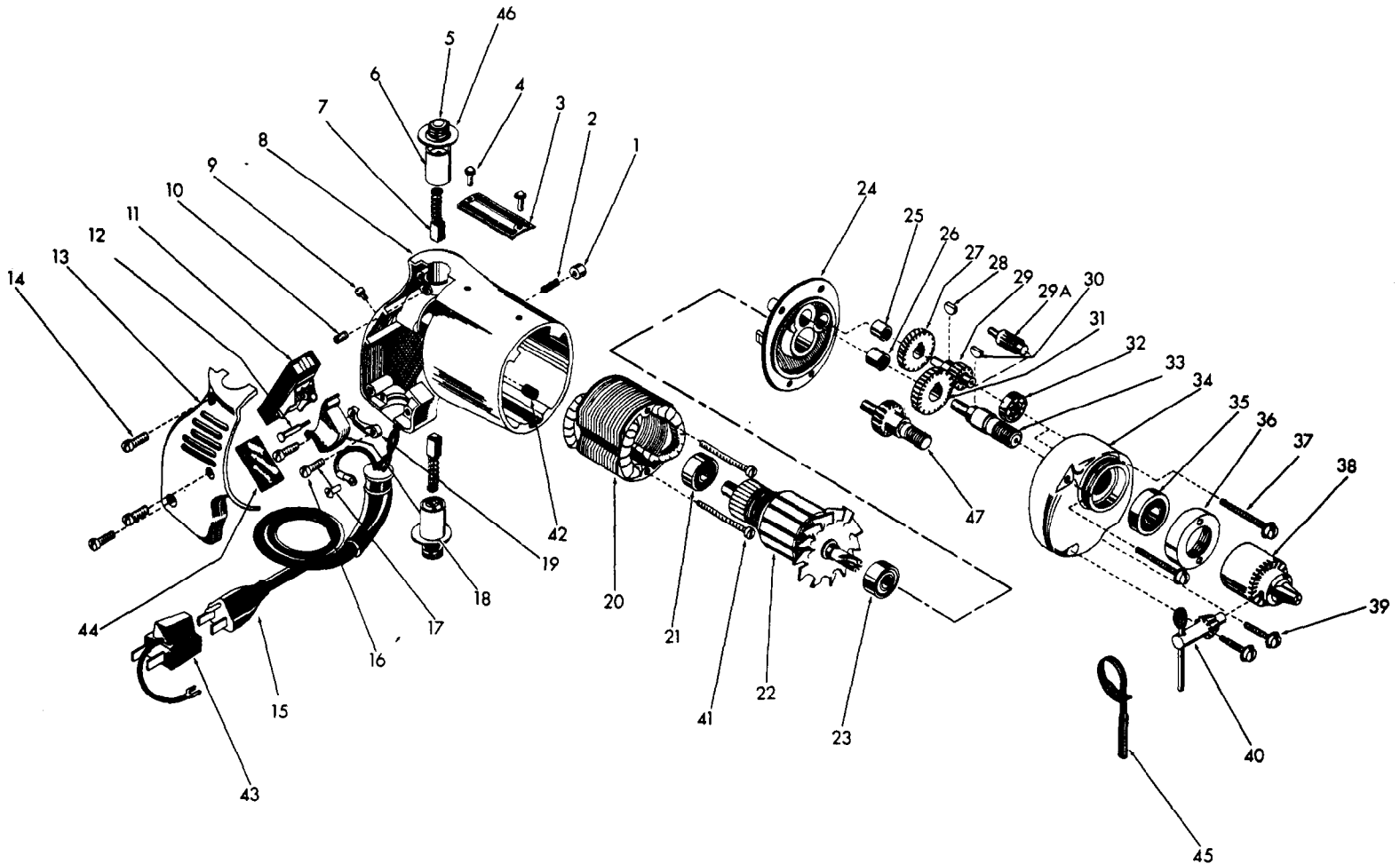
REVISED BUL. 692-3 DATE FEB. '68

Catalog No. 0160

Starting Serial No. 92-1607

WIRING INSTR.

Both Model and Serial No. must be furnished to obtain correct parts.



ILLUSTRATED PARTS

| FIG. | PART NO. | DESCRIPTION OF PART | NO.REQ. | FIG. | PART NO. | DESCRIPTION OF PART | NO.REQ. |
|------|------------|---|---------|------|------------|---------------------------------------|---------|
| 1 | 42-42-0061 | Trigger Lock Button | | 25 | 02-50-1210 | Needle Bearing | |
| 2 | 40-50-1200 | Trigger Lock Spring | | 26 | 02-50-1640 | Needle Bearing | |
| 3 | 12-98-0600 | Name Plate | | 27 | 32-40-1041 | Intermediate Gear | |
| 4 | 06-81-4300 | 3-48x3/16 Rd.Hd. Name Plate Screws | (2) | 28 | 06-42-0400 | Woodruff Key | |
| 5 | 23-44-0020 | Brush Retaining Cap | (2) | 29 | 36-66-1451 | Intermediate Shaft | |
| 6 | 22-22-0050 | Brush Holder Assy. | (2) | 29A | | NOT USED ON THIS TOOL | |
| 7 | 22-18-0090 | Carbon Brush Assy. | (2) | 30 | | NOT USED ON THIS TOOL | |
| 8 | 28-50-4447 | Motor Housing | | 31 | | NOT USED ON THIS TOOL (See Item 47) | |
| 9 | 06-81-5800 | 6-32x5/16 Fil.Hd.Sems Switch Mrg.Scr. | | 32 | 02-04-0640 | Intermediate Shaft Ball Bearing | |
| 10 | 06-83-0100 | 10-32x1/4 Hd'less Slotted Br.Holder Sr. | (2) | 33 | | NOT USED ON THIS TOOL (See Item 47) | |
| 11 | 23-66-0280 | Switch | | 34 | 28-14-0361 | Gear Case | |
| 12 | 44-70-0071 | Trigger Lock Shaft | | 35 | 02-04-1020 | Ball Bearing | |
| 13 | 28-20-3002 | Handle Cover | | 36 | 42-52-0060 | Bearing Cap | |
| 14 | 06-81-6150 | 8-32x1/2 Fil.Hd.Sems Handle Cover Srs. | (3) | 37 | 06-81-6550 | 8-32x1/2 Fil. Hd. Sems Gear Case Srs. | (2) |
| 15 | 22-64-0170 | Cord Set | | 38 | 48-66-0260 | Chuck | |
| 16 | 06-81-6150 | 8-32x1/2 Fil. Hd. Sems Cord Clamp Srs. | (2) | 39 | 06-81-6300 | 8-32x7/8 Fil.Hd.Sems Gear Case Screws | (2) |
| 17 | 06-81-8625 | 6-32x1/4 Rd. Hd. (Brass) Ground Scr. | | 40 | 48-66-3200 | Chuck Key | |
| *18 | 31-92-0101 | Switch Trigger | | 41 | 06-81-5950 | 6-32x1-7/8 Fil. Hd. Field Screws | (2) |
| 19 | 28-17-0400 | Cord Clamp | | 42 | 45-30-0060 | Ball Bearing Ret. Slug | |
| 20 | 18-22-1040 | Field Assy. | | 43 | 48-03-0010 | Attachment Plug Adaptor | |
| 21 | 02-04-0740 | Armature Ball Bearing (Comm. End) | | 44 | 23-16-0265 | Switch Insulator | |
| 22 | 16-22-1120 | Armature Assy. | | 45 | 48-66-4080 | Key Holder | |
| 23 | 02-04-0880 | Armature Ball Bearing (Pinion End) | | 46 | 23-86-0070 | Insulating Washer | (2) |
| 24 | 28-28-0221 | Diaphragm | | 47 | 32-75-1341 | Spindle With Gear | |