



SERVICE PARTS LIST

BUL. 54-06-0701

12 VOLT 1/4" PISTOL DRILL

REVISED BUL
54-06-0700

DATE
July '72

Catalog No. 0125

Starting
Serial No. **322-3404**

WIRING INSTR.

58-01-0130

Both Model and Serial No. must be furnished to obtain correct parts.

1750 R.P.M.

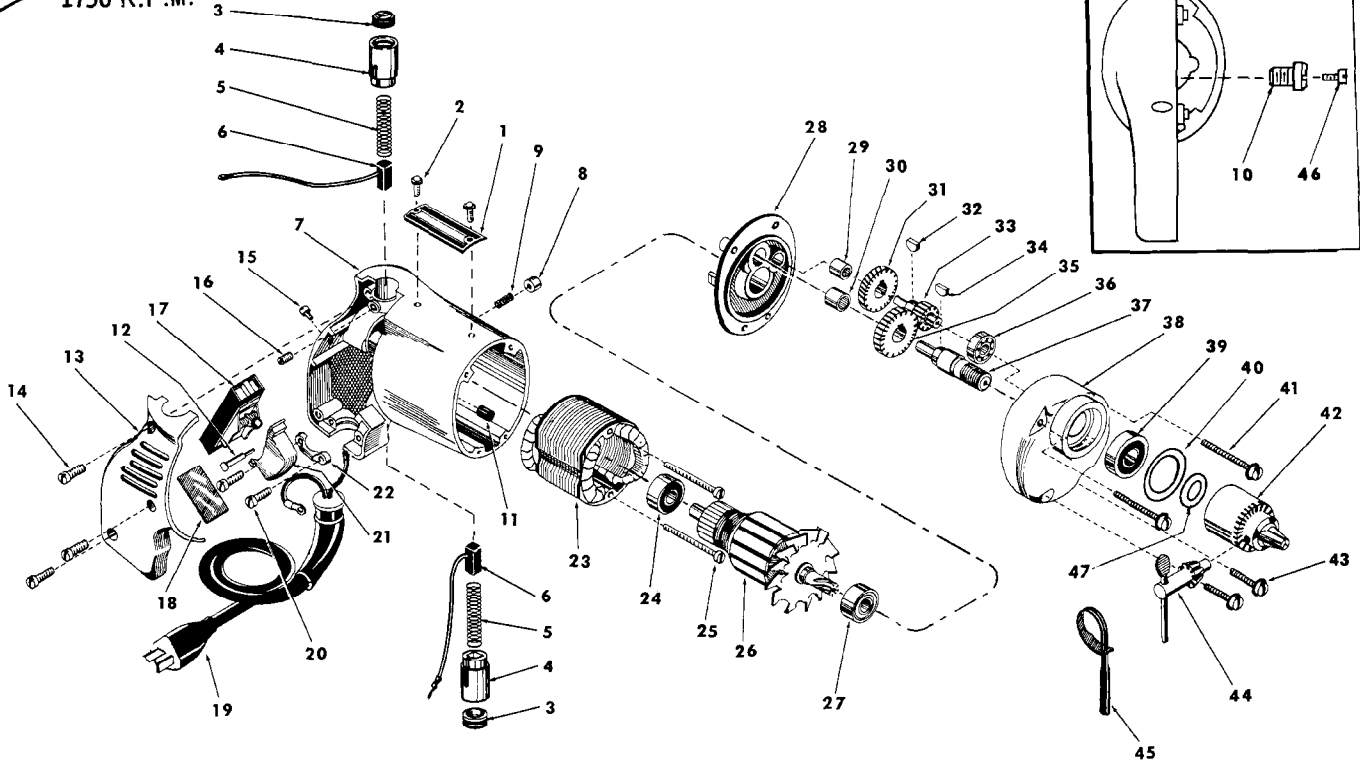


FIG.	PART NO.	DESCRIPTION OF PART	NO.REQ.
★ 1	12-99-0020	Name Plate	
2	06-85-0200	Name Plate Screw	(2)
3	23-44-0020	Brush Retaining Cap	(2)
4	22-22-0200	Brush Holder Assy.	(2)
5	23-52-0090	Carbon Brush Spring	(2)
6	22-18-0310	Carbon Brush Assy.	(2)
7	28-50-4449	Motor Housing Assy. (Incl. Figs. 8 thru 14)	
8	42-42-0061	Trigger Lock Button	
9	40-50-1200	Trigger Lock Spring	
10	42-34-0101	Nylon Terminal Boss Assy.	
11	45-30-0060	Ball Bearing Ret. Slug	
12	44-70-0071	Trigger Lock Shaft	
13	28-20-3002	Handle Cover	
14	06-81-6150	8-32 x 1/2 Fil. Hd. Screw	(3)
15	06-81-5800	6-32 x 5/16 Fil. Hd. Screw	
16	06-83-2430	10-32 x 1/4 Hdls. Skt. Screw	(2)
17	23-66-0280	Switch	
18	06-97-1800	Switch Lock Washer (not shown)	(4)
19	23-16-0265	Switch Insulator	
20	22-64-0310	Cord Set	
21	06-81-6150	8-32 x 1/2 Fil. Hd. Screw	(2)
22	31-92-0102	Switch Trigger	
23	28-17-0400	Cord Clamp	
24	18-20-1000	12 Volt Field	

FIG.	PART NO.	DESCRIPTION OF PART	NO.REQ.
24	02-04-0740	Ball Bearing	
25	06-81-5950	6-32 x 1-7/8 Fil. Hd. Screw	(2)
26	16-20-1010	12 Volt Armature	
27	02-04-0880	Ball Bearing	
28	28-28-0221	Diaphragm	
29	02-50-1210	Needle Bearing	
30	02-50-1640	Needle Bearing	
31	32-40-1041	Intermediate Gear	
32	06-42-0400	Woodruff Key	
33	36-66-1151	Intermediate Pinion Shaft	
34	06-42-0800	Woodruff Key	
35	32-75-1181	Spindle Gear	
36	02-04-0640	Intermediate Shaft Ball Bearing	
37	38-50-1051	Spindle	
★ 38	28-14-0363	Gear Case	
39	02-04-1020	Ball Bearing	
★ 40	34-80-1400	Retaining Ring	
★ 41	06-81-6575	8-32 x 1-5/8 Fil. Hd. Screw	(2)
42	48-66-0260	Chuck	
★ 43	06-81-6350	8-32 x 1 Fil. Hd. Screw	(2)
44	48-66-3200	Chuck Key	
45	48-66-4080	Key Holder	
46	06-81-0110	6-32 x 5/16 Pan Hd. Screw	
★ 47	45-88-0080	Chuck Washer	