



# SERVICE PARTS LIST

**BULLETIN NO.**  
**54-06-0080**

SPECIFY CATALOG NO. AND SERIAL NO. WHEN ORDERING PARTS		REVISED BULLETIN 54-06-0079	DATE May '96
<b>1/4" MAGNUM HOLE-SHOOTER</b>			
CATALOG NO. <b>0124-1</b>	STARTING SERIAL NO. <b>603A</b>	WIRING INSTRUCTION <b>58-01-1600</b>	

**EXAMPLE:**  
Component Parts (Small #)  
Are Included When Ordering  
The Assembly (Large #).

00  
0

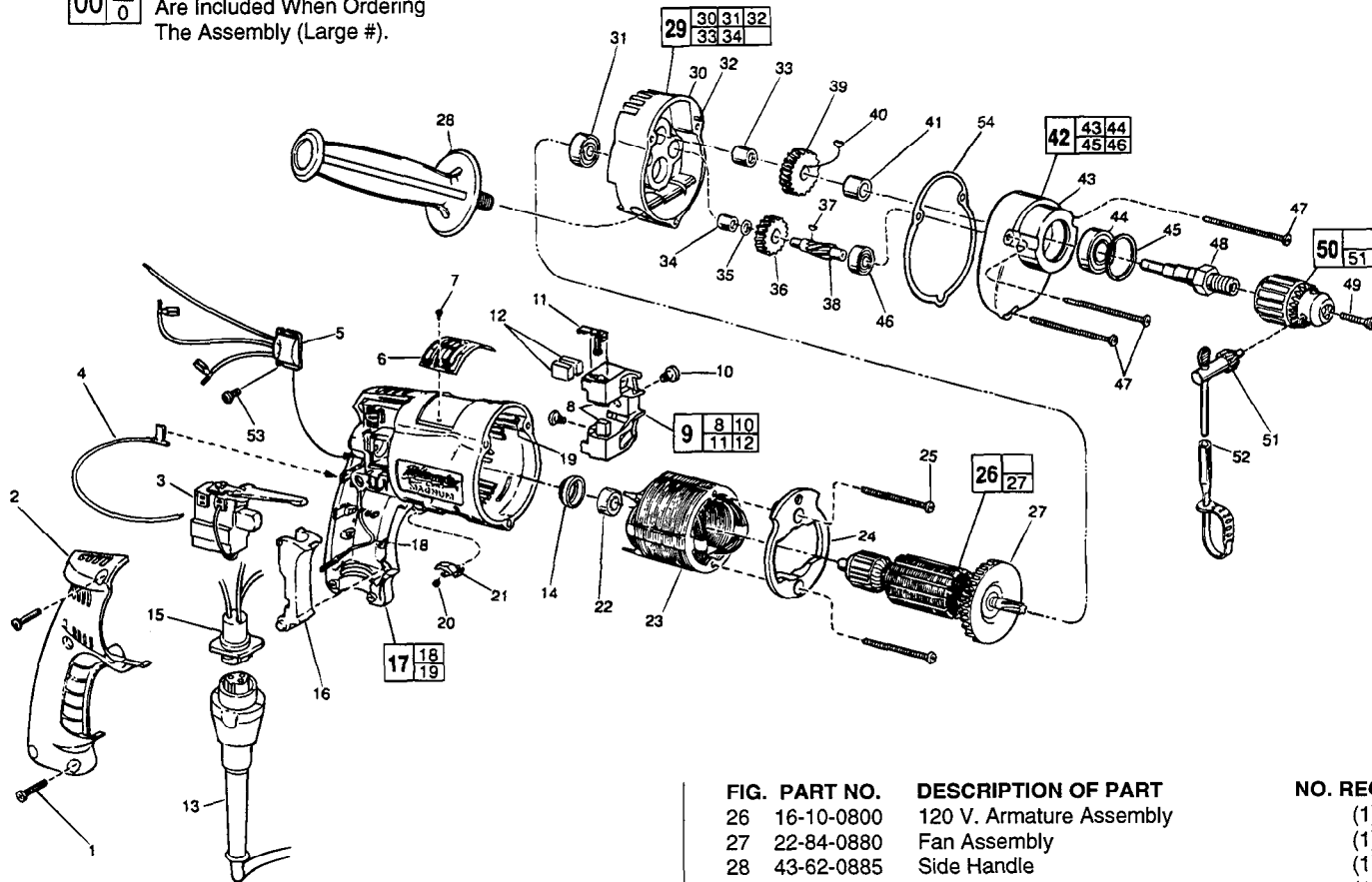


FIG. PART NO.	DESCRIPTION OF PART	NO.REQ.
1	06-82-7266 7-1/8 x 11/16" Pan Hd. Plastite T-20	(5)
2	31-15-0402 Handle Cover	(1)
3	23-66-1665 Trigger Speed Control Reversing Switch	(1)
4	23-94-6245 2-1/4 Lead Assembly	(1)
5	14-20-0765 Remote Electronic Assembly	(1)
6	12-99-0071 Nameplate Blank	(1)
7	06-72-1720 Nameplate Rivet	(2)
8	22-16-0275 Carbon Brush	(2)
9	22-22-0351 Brush Holder Assembly	(1)
10	31-75-0040 Brush Holder Screw	(2)
11	22-20-0345 Brush Spring Assembly	(2)
12	22-16-0275 Carbon Brush (Spares)	(2)
13	48-76-4008 Cord Set	(1)
14	22-72-0100 Bearing Cup	(1)
15	22-56-0630 Pin Housing Assembly	(1)
16	45-72-0080 Trigger	(1)
17	14-38-0540 Motor Housing Assembly	(1)
18	23-94-9960 Ground Wire Assembly	(1)
19	44-60-1290 Grounding Pin	(1)
20	40-50-0085 Lock Button Spring	(1)
21	42-42-0460 Lock Button	(1)
22	02-04-0645 Ball Bearing	(1)
23	18-11-0075 120 Volt Field	(1)
24	42-14-0390 Baffle	(1)
25	06-82-7398 7-18 x 2-1/16" Pan Hd. Plastite T-20	(2)

FIG. PART NO.	DESCRIPTION OF PART	NO. REQ.
26	16-10-0800 120 V. Armature Assembly	(1)
27	22-84-0880 Fan Assembly	(1)
28	43-62-0885 Side Handle	(1)
★ 29	14-13-0497 Diaphragm Assembly	(1)
30	Diaphragm	(1)
31	02-04-0847 Ball Bearing	(1)
★ 32	06-65-0880 Ground Pin	(1)
33	02-50-2020 Needle Bearing	(1)
34	02-50-1620 Needle Bearing	(1)
35	45-88-7721 Heat Treated Washer	(1)
36	32-40-1815 Intermediate Gear	(1)
37	06-42-0400 Woodruff Key	(1)
38	36-66-4280 Intermediate Pinion	(1)
39	32-75-2960 Spindle Gear	(1)
40	06-42-1200 Woodruff Key	(1)
41	45-36-1100 Spacer	(1)
★ 42	14-30-0337 Gear Case Assembly	(1)
43	Gear Case	(1)
44	02-04-1229 Ball Bearing	(1)
45	34-80-2300 Retaining Ring	(1)
46	02-04-0640 Ball Bearing	(1)
47	06-82-7411 7-18 x 2-3/16" Pan Hd. Plastite T-20	(3)
48	38-50-5266 Spindle - Double Reduction	(1)
49	45-04-0750 Chuck Retaining Screw	(1)
50	48-66-0070 1/4" Chuck	(1)
51	48-66-3200 Chuck Key	(1)
52	48-66-4080 Key Holder	(1)
53	06-82-7212 4-20x1/4" Pan Hd. Plastite T-10	(1)
★ 54	43-44-0913 Gasket	(1)
	10-98-5986 Warning Label	(1)

**FIG. LUBRICATION**

43 1-1/2 Oz. Type "E" Grease, No. 49-08-4122.

**MILWAUKEE ELECTRIC TOOL CORPORATION**  
13135 W. LISBON RD., BROOKFIELD, WI 53005