



SERVICE PARTS LIST

BUL. 54-06-0503

1/4" PISTOL DRILL

REVISED BUL 54-06-0502 DATE July '72

Catalog No. 0121

Starting Serial No. **377-4143**

WIRING INSTR. **58-01-0050**

Both Model and Serial No. must be furnished to obtain correct parts.

2000 R.P.M.

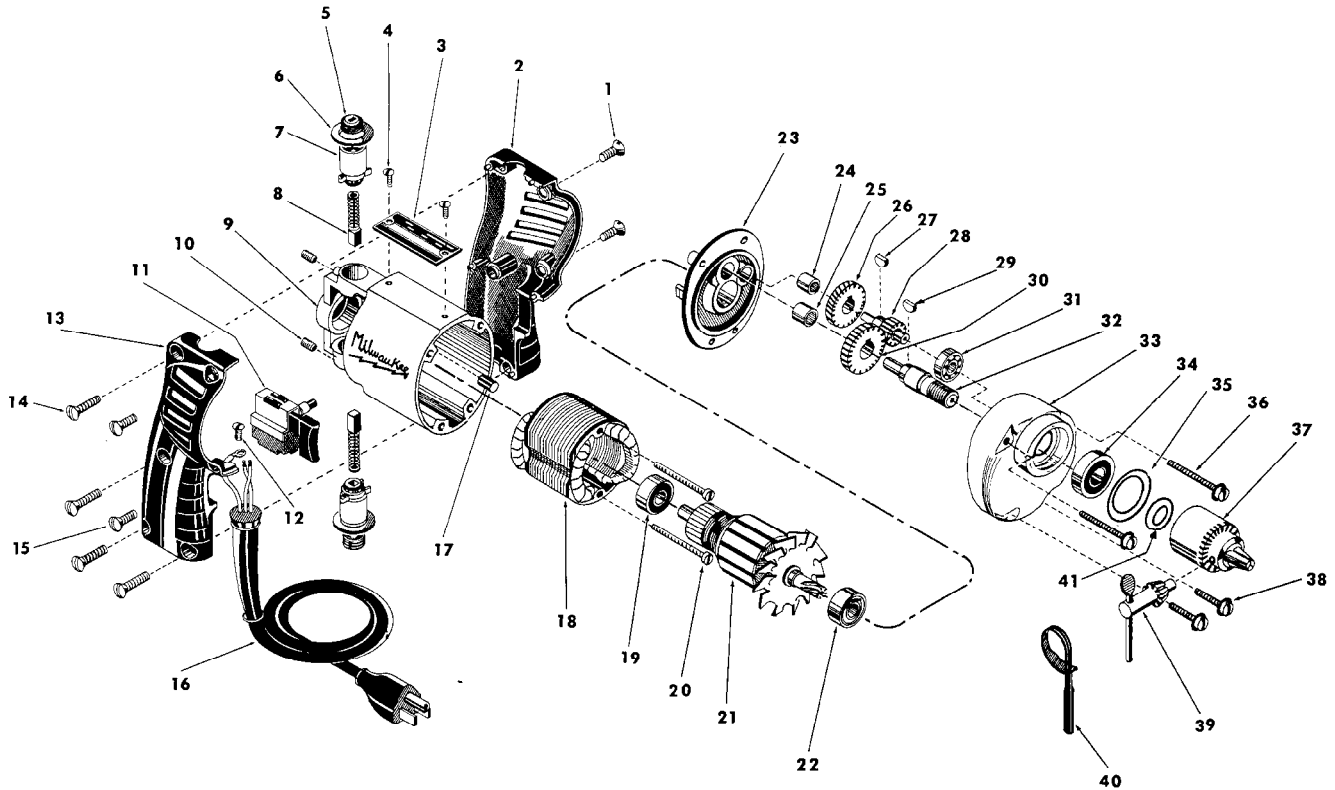


FIG.	PART NO.	DESCRIPTION OF PART	NO.REQ.
	1	8-32 x 3/8 Pan Hd. Screw	(2)
	2	L. H. Handle Half	
★	3	Name Plate	
★	4	Name Plate Screw	(2)
	5	Brush Retaining Cap	(2)
★	6	Insulating Washer	(2)
	7	Brush Holder Assy.	(2)
	8	Carbon Brush Assy.	(2)
	9	Motor Housing (Incl. Fig. No. 17)	
	10	10-32 x 1/4 Soc. Hd. Set Screw	(2)
	11	Switch	
	12	Ground Screw	
	13	R. H. Handle Half	
	14	8-32 x 3/4 Pan Hd. Screw	(4)
	15	8-32 x 3/8 Pan Hd. Screw	(2)
	16	Cord Set	
	17	Ball Bearing Ret. Slug	
	18	Field	
	19	Ball Bearing	
	20	6-32 x 1-7/8 Fil. Hd. Screw	(2)
★	21	Armature Assy.	

FIG.	PART NO.	DESCRIPTION OF PART	NO.REQ.
	22	Ball Bearing	
	23	Diaphragm	
	24	Needle Bearing	
	25	Needle Bearing	
	26	Intermediate Gear	
	27	Woodruff Key	
	28	Intermediate Pinion Shaft	
	29	Woodruff Key	
	30	Spindle Gear	
	31	Ball Bearing	
	32	Spindle	
	33	Gear Case Assy.	
	34	Ball Bearing	
	35	Retaining Ring	
★	36	8-32 x 1-5/8 Fil. Hd. Sems Screw	(2)
	37	Chuck	
★	38	8-32 x 1 Fil. Hd. Sems Screw	(2)
	39	Chuck Key	
	40	Key Holder	
★	41	Chuck Washer	