



SERVICE PARTS LIST

SPECIFY CATALOG NO. AND SERIAL NO. WHEN ORDERING PARTS		REVISED BULLETIN	DATE May '91
1/4" T.S.C. REV. HOLE-SHOOTER			
CATALOG NO. 0102-3	STARTING SERIAL NO. 428-135,000	WIRING INSTRUCTION 58-01-0016	

EXAMPLE:
Component Parts (Small #)
Are Included When Ordering
The Assembly (Large #).

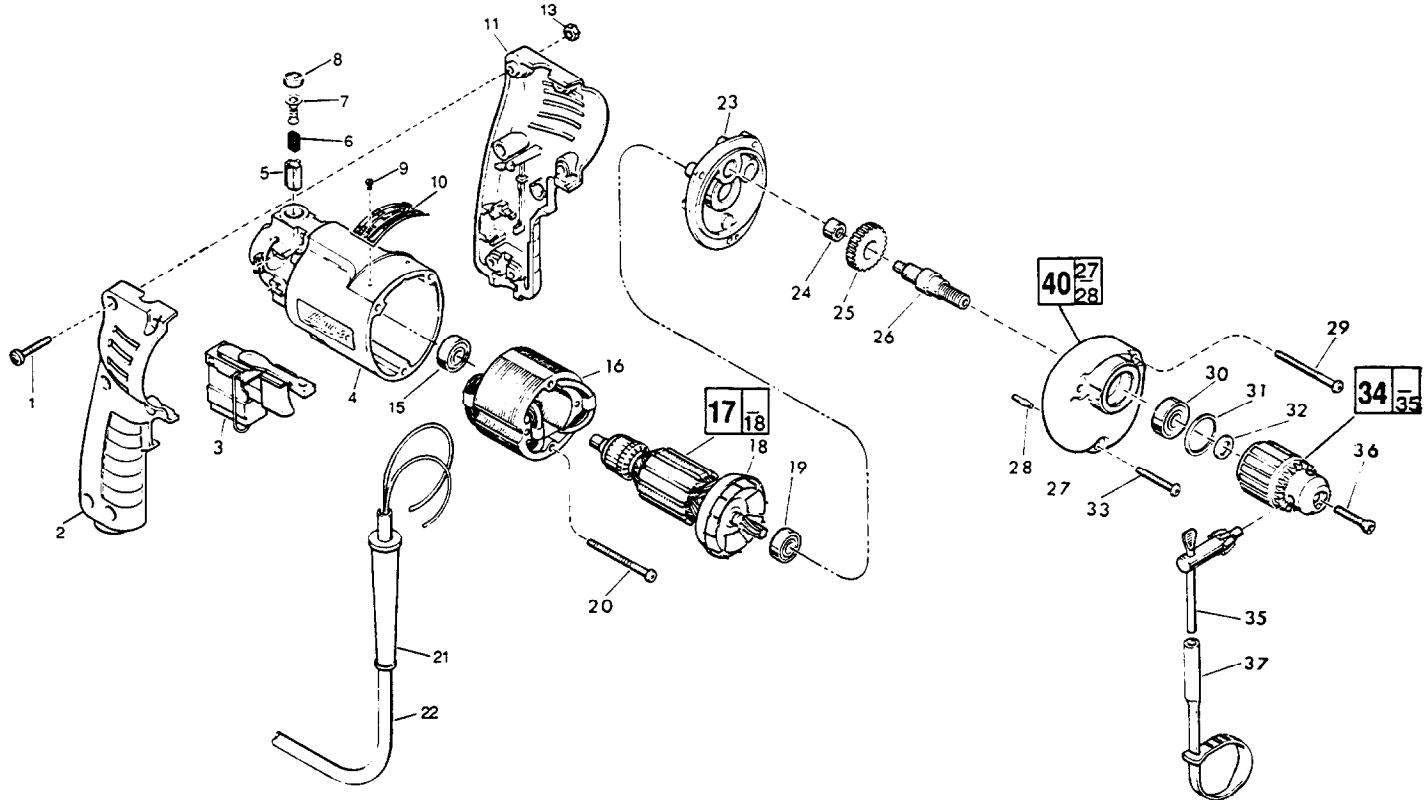


FIG.	PART NO.	DESCRIPTION	NO. REQ.	FIG.	PART NO.	DESCRIPTION	NO. REQ.
1	06-82-2361	8-32x15/16" Pan Hd. Slit T-20	(6)	24	02-50-1620	Needle Bearing	(1)
2	31-44-1130	Right Handle Half	(1)	25	32-75-3260	Spindle Gear	(1)
3	23-66-1246	Speed Control Switch	(1)	26	38-50-5670	Reversing Gear	(1)
4	31-50-0346	Motor Housing	(1)	27	28-14-1830	Gear Case	(1)
5	22-20-0530	Brush Tube	(2)	28	06-65-0825	1/8x1/2" Groove Pin 5	(1)
6	22-16-0375	Carbon Brush	(2)	29	06-82-7344	7-18x1-1/2" Pan Hd. Slit. Plast. T-20	(2)
7	23-52-0210	Brush Spring Assembly	(2)	30	02-04-1020	Ball Bearing	(1)
8	23-44-0120	Brush Retaining Screw	(2)	31	34-80-1400	Retaining Ring	(1)
9	06-85-0200	Nameplate Screw	(2)	32	45-88-7940	Chuck Washer	(1)
10	12-99-0570	Nameplate Blank	(1)	33	06-82-7308	7-18x1-1/8" Pan Hd. Slit. Plast. T-20	(1)
11	31-44-1140	Left Handle Half	(1)	34	48-66-0070	3/8" Chuck	(1)
13	06-55-0835	8-32 Hex Nut	(6)	35	48-66-3200	Chuck Key	(1)
15	02-04-0645	Ball Bearing	(1)	36	45-04-0750	Chuck Screw-L.H. Thread	(1)
16	18-16-0060	240 Volt Field	(1)	37	48-66-4080	Key Holder	(1)
17	16-16-0440	240 Volt Armature	(1)	40	14-30-0610	Gear Case Assembly	(1)
18	22-84-0760	Fan Assembly	(1)				
19	02-04-0847	Ball Bearing	(1)				
20	06-82-7368	7-18x1-3/4" Pan Hd. Slit. Plast. T-20	(2)				
21	44-76-0210	Cord Protector	(1)				
22	22-64-4480	Cord Set	(1)				
23	28-28-1780	Diaphragm	(1)				

FIG. LUBRICATION
27 1-1/8 Oz. Type "E" Grease, No. 49-08-4121.
Place In Center Of Gear Case.