



# SERVICE PARTS LIST

**BULLETIN NO.**  
55-06-0359

SPECIFY CATALOG NO. AND SERIAL NO. WHEN ORDERING PARTS		REVISED BULLETIN	DATE
1/4" T.S.C. REV. HOLE-SHOOTER		55-06-0358	May '96
CATALOG NO. 0102-3	STARTING SERIAL NO. 428C	WIRING INSTRUCTION <b>58-03-1380</b>	

**EXAMPLE:**  
Component Parts (Small #)  
Are Included When Ordering  
The Assembly (Large #).

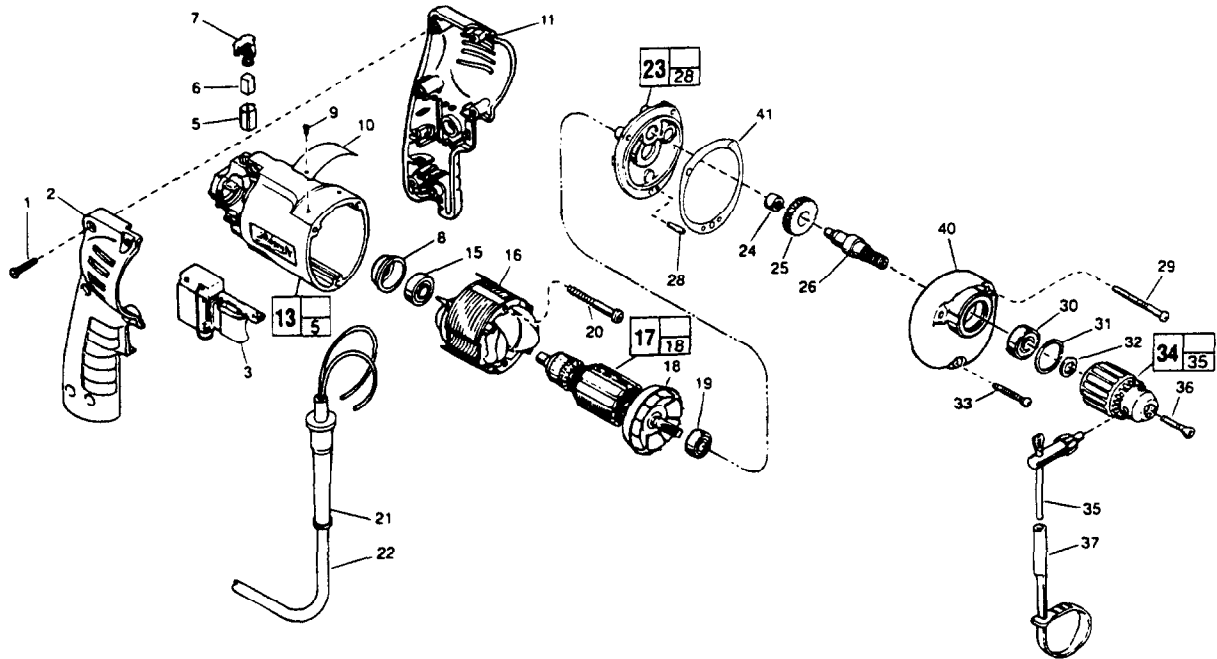


FIG.	PART NO.	DESCRIPTION OF PART	NO. REQ.
	1	06-82-7284 8-16 x 3/4" Pan Hd. Stt. Plast. T-20	(6)
	2	31-44-1745 Right Handle Half	(1)
	3	23-66-2075 Speed Control Switch	(1)
	5	22-20-0830 Brush Tube	(2)
	6	22-16-0375 Carbon Brush	(2)
	7	23-52-1570 Brush Spring Assembly	(2)
	8	22-72-0100 Bearing Cup	(1)
	9	06-72-1720 Nameplate Rivet	(2)
	10	12-99-0570 Service Nameplate	(1)
	11	31-44-1740 Left Handle Half	(1)
	13	14-38-0591 Motor Housing Assembly	(1)
	15	02-04-0645 Ball Bearing	(1)
	16	18-12-0160 Field	(1)
	17	16-16-0440 Armature	(1)
	18	22-84-0760 Fan Assembly	(1)
	19	02-04-0847 Ball Bearing	(1)
	20	06-82-7393 7-18 x 2" Pan Hd. Stt. Plast. T-20	(2)
	21	44-76-0210 Cord Protector	(1)
	22	22-64-4480 Cord Set	(1)
★	23	14-13-0525 Diaphragm Assembly	(1)
	24	02-50-1620 Needle Bearing	(1)
	25	32-75-3260 Spindle Gear	(1)
	26	38-50-5670 Spindle	(1)
★	28	06-65-0880 Ground Pin	(1)
	29	06-82-7344 7-18 x 1-1/2" Pan Hd. Stt. Plast. T-20	(2)

FIG.	PART NO.	DESCRIPTION OF PART	NO. REQ.
	30	02-04-1020 Ball Bearing	(1)
	31	34-80-1400 Retaining Ring	(1)
	32	45-88-7940 Chuck Washer	(1)
	33	06-82-7308 7-18 x 1-1/8" Pan Hd. Stt. Plast. T-20	(1)
	34	48-66-0070 3/8" Chuck	(1)
	35	48-66-3200 Chuck Key	(1)
	36	45-04-0750 Chuck Screw-L.H. Thread	(1)
	37	48-66-4080 Key Holder	(1)
★	40	28-14-1825 Gear Case	(1)
★	41	43-44-0925 Gasket	(1)

**FIG. LUBRICATION**  
40 1-1/8 Oz. Type "E" Grease, No. 49-08-4122.  
Place In Center Of Gear Case.

**FIG. NOTES**  
1 Torque to 18-28 In./Lbs.  
20, 29, 33 Torque to 15-20 In./Lbs.  
36 Torque to 30-50 In./Lbs.  
8 Place in motor housing before inserting armature.  
24 Press flush to casting surface.  
15, 19 Seal towards armature.  
30 Seal towards chuck.

**MILWAUKEE ELECTRIC TOOL CORPORATION**  
13135 W. LISBON RD., BROOKFIELD, WI 53005