



SERVICE PARTS LIST

BULLETIN NO.
54-06-2828

SPECIFY CATALOG NO. AND SERIAL NO. WHEN ORDERING PARTS		REVISED BULLETIN	DATE
1/4" PISTOL GRIP DRILL		54-06-2827	June 2012
CATALOG NO.	0101-20	WIRING INSTRUCTION	
STARTING SERIAL NO.	064D	See Pages 2 & 3	

EXAMPLE:
Component Parts (Small #) Are Included When Ordering The Assembly (Large #).

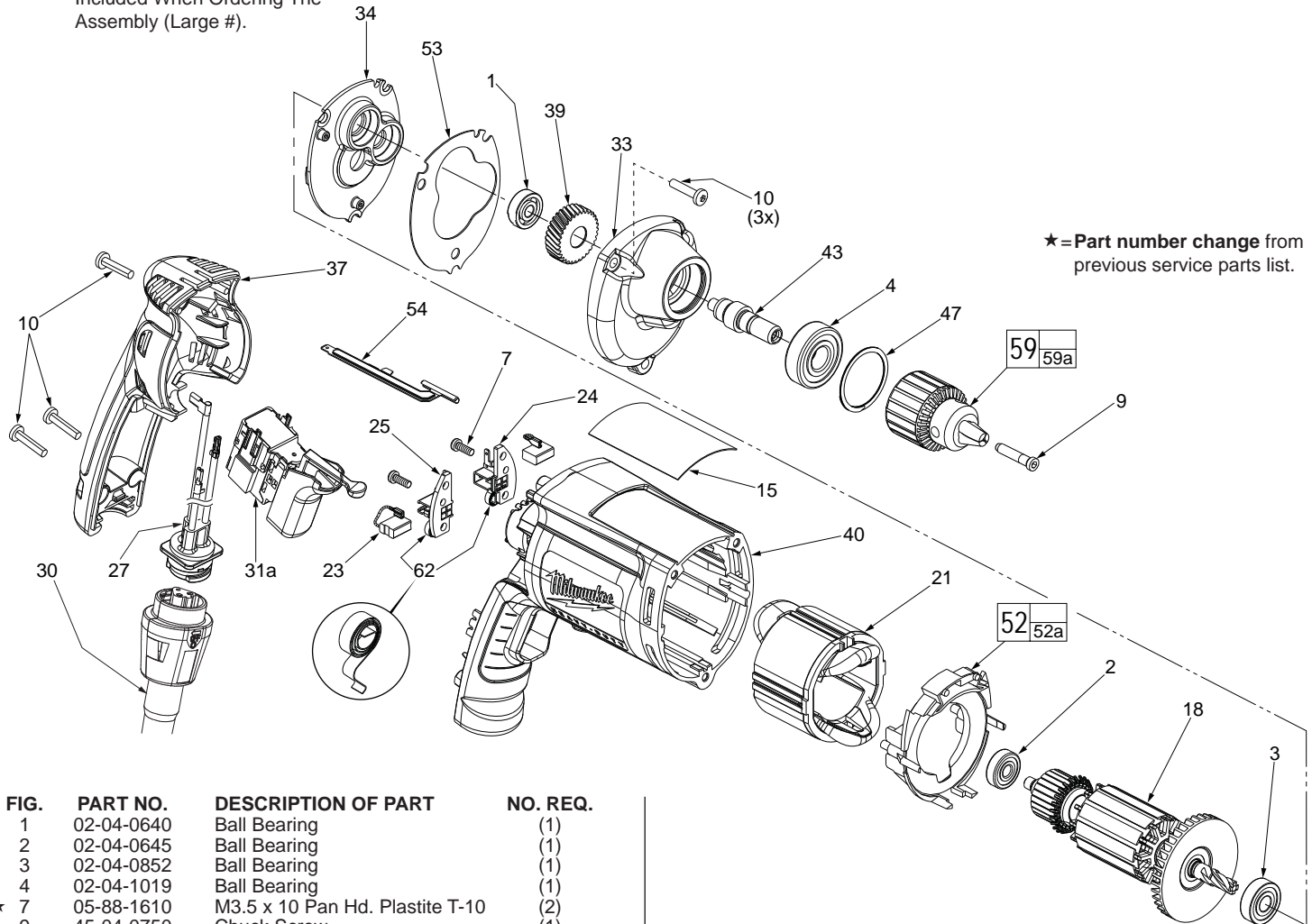
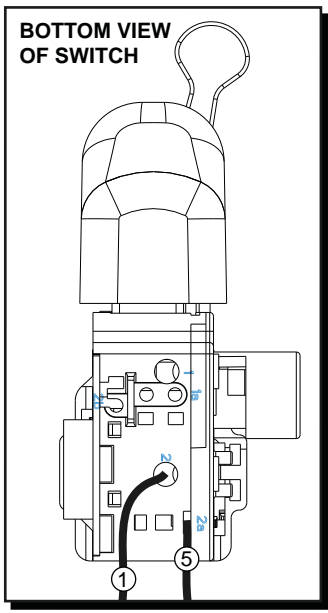


FIG.	PART NO.	DESCRIPTION OF PART	NO. REQ.
1	02-04-0640	Ball Bearing	(1)
2	02-04-0645	Ball Bearing	(1)
3	02-04-0852	Ball Bearing	(1)
4	02-04-1019	Ball Bearing	(1)
★ 7	05-88-1610	M3.5 x 10 Pan Hd. Plastite T-10	(2)
9	45-04-0750	Chuck Screw	(1)
10	06-82-7275	7-18 x 3/4 Slotted Plastite T-20	(6)
15	12-99-2565	Service Nameplate	(1)
18	16-10-2201	Armature	(1)
★ 21	18-07-7210	Field	(1)
23	22-18-1310	Brush Assembly	(2)
★ 24	22-20-0090	Left Brush Holder	(1)
★ 25	22-20-0095	Right Brush Holder	(1)
27	22-56-1010	Pin Housing Assembly	(1)
30	48-76-4008	Quik-Lok Cord Set	(1)
31a	23-66-2605	Switch (Defond) See page 2 wiring	(1)
31b	23-66-2585	Switch (Marquardt) See page 3 wiring	(1)
33	28-14-2385	Gearcase	(1)
34	28-28-2315	Diaphragm	(1)
37	31-15-2030	Handle Halve	(1)
39	32-75-0121	Spindle Gear	(1)
★ 40	31-50-3040	Motor Housing	(1)
43	38-50-5745	Output Spindle	(1)
47	34-80-1400	Retaining Ring	(1)
52	42-14-0460	Baffle Assembly	(1)
52a	45-30-0030	Slug (Not shown)	(2)
53	43-44-0985	Gasket	(1)
54	44-60-1700	Ground Pin	(1)
59	48-66-0070	1/4" Chuck	(1)
59a	48-66-3200	Chuck Key (Not Shown)	(1)
62	23-52-1610	Brush Spring	(2)
68	48-66-4080	Chuck Key Holder (Not Shown)	(1)
★	23-94-0490	White Leadwire Assy. (See pages 2 & 3)	(1)
★	23-94-0495	Red Leadwire Assy. (See pages 2 & 3)	(1)
	31-53-0205	Lock Button Plug (Not Shown)	(1)

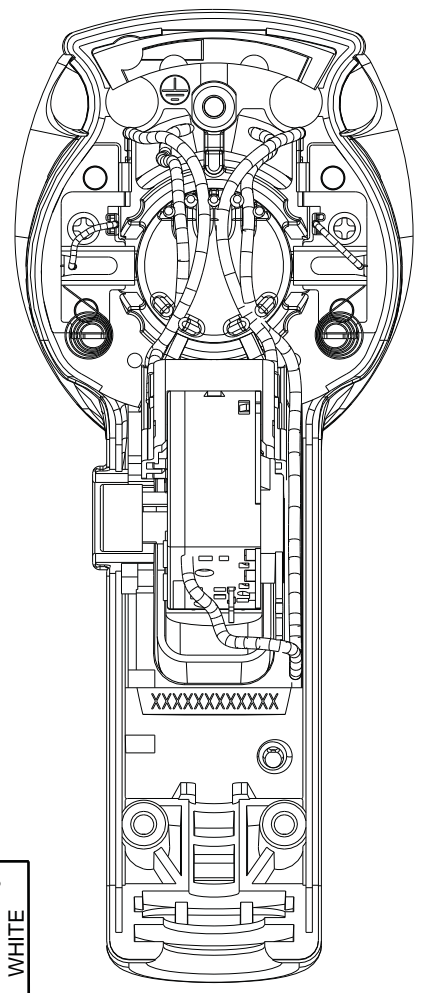
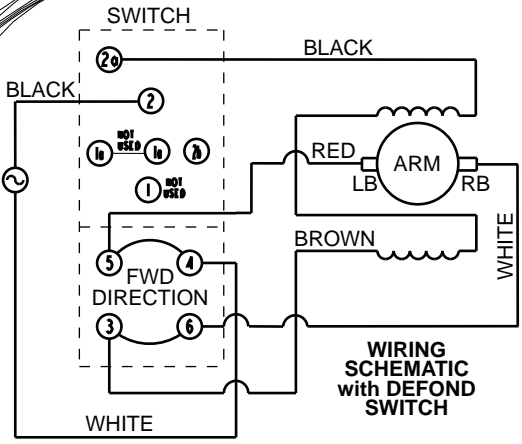
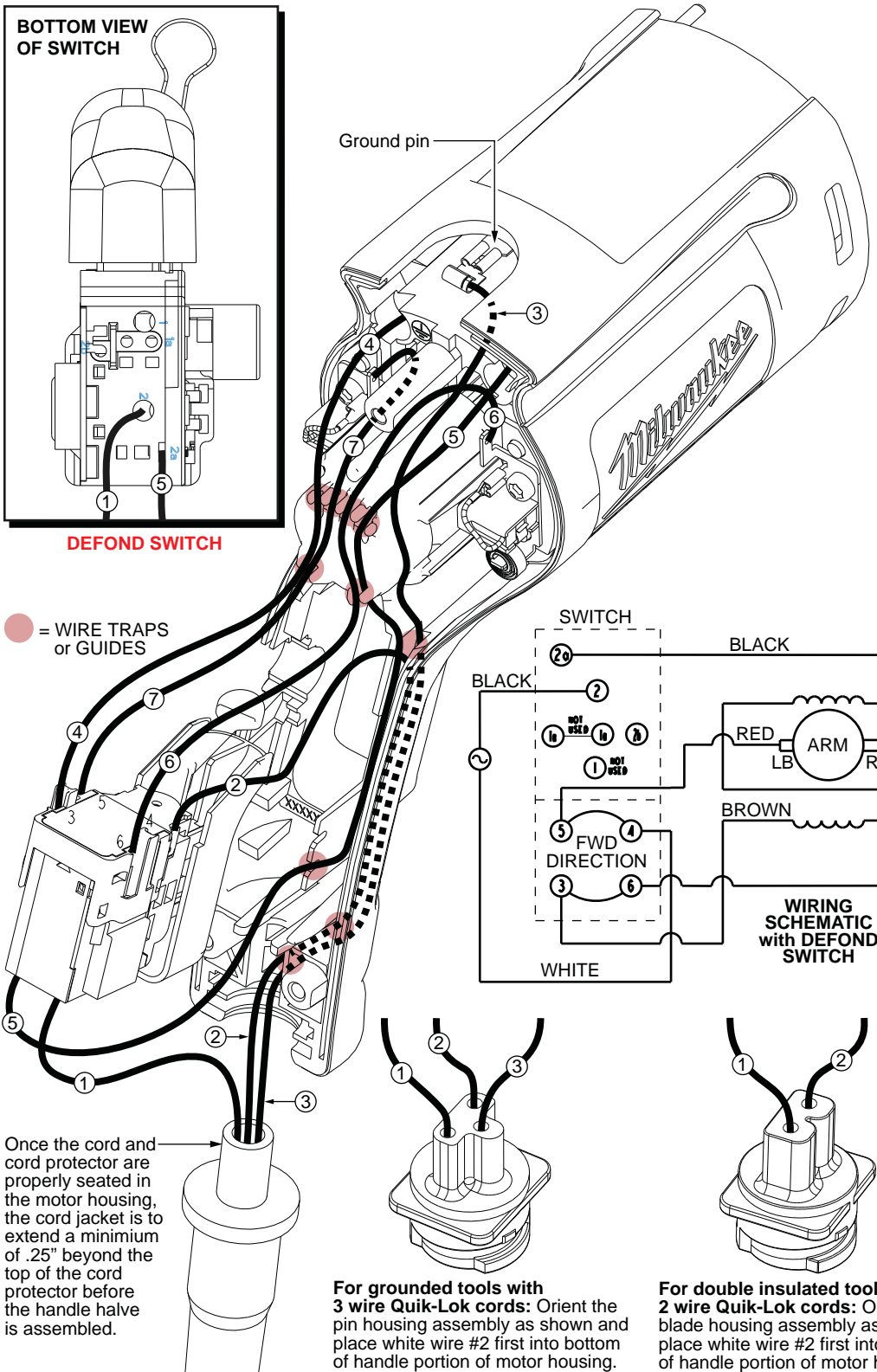
LUBRICATION (Type "Y" Grease, No. 49-08-5270)
Place 6.8 gm. (.24 oz.) of grease at the armature pinion location in the gearcase pocket (33) and fill to the next higher gearcase level.

Before assembly, lightly coat all press fit areas with lightweight spindle oil.



DEFOND SWITCH

● = WIRE TRAPS or GUIDES

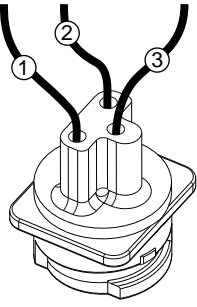


AS AN AID TO REASSEMBLY, TAKE NOTICE OF WIRE ROUTING AND POSITION IN WIRE GUIDES AND TRAPS WHILE DISMANTLING TOOL.

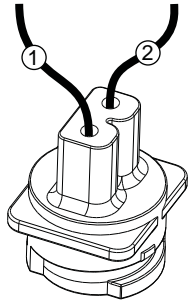
BE CAREFUL AND AVOID PINCHING WIRES BETWEEN HANDLE HALVES WHEN ASSEMBLING.

FOR DOUBLE INSULATED TOOLS DISREGARD GREEN GROUND WIRE #3 AND GROUND PIN.

Once the cord and cord protector are properly seated in the motor housing, the cord jacket is to extend a minimum of .25" beyond the top of the cord protector before the handle half is assembled.



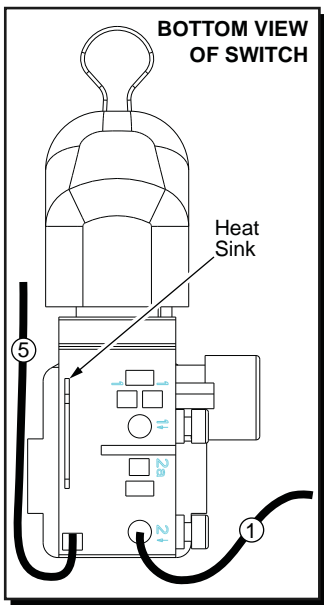
For grounded tools with 3 wire Quik-Lok cords: Orient the pin housing assembly as shown and place white wire #2 first into bottom of handle portion of motor housing.



For double insulated tools with 2 wire Quik-Lok cords: Orient the blade housing assembly as shown and place white wire #2 first into the bottom of handle portion of motor housing.

WIRING SPECIFICATIONS

Wire No.	Wire Color	Origin or Gauge	Length	Terminals, Connectors and 1 or 2 End Wire Preparation
1	Black	*	-----	*Component of cord set, pin hsg. assy. or blade hsg. assy. Connect to #2 on switch bottom.
2	White	*	-----	*Component of cord set, pin hsg. assy. or blade hsg. assy. Connect to #4 on switch top.
3	Green	*	-----	*Component of cord set, pin hsg. assy. or blade hsg. assy. Connect to male tab on ground terminal.
4	Brown	Field	-----	Component of field. Connect to #3 on switch top.
5	Black	Field	-----	Component of field. Connect to #2a on switch bottom.
6	White	23-94-0490	-----	Leadwire assembly. Connect to right brush holder and #6 on switch top.
7	Red	23-94-0495	-----	Leadwire assembly. Connect to left brush holder and #5 on switch top.



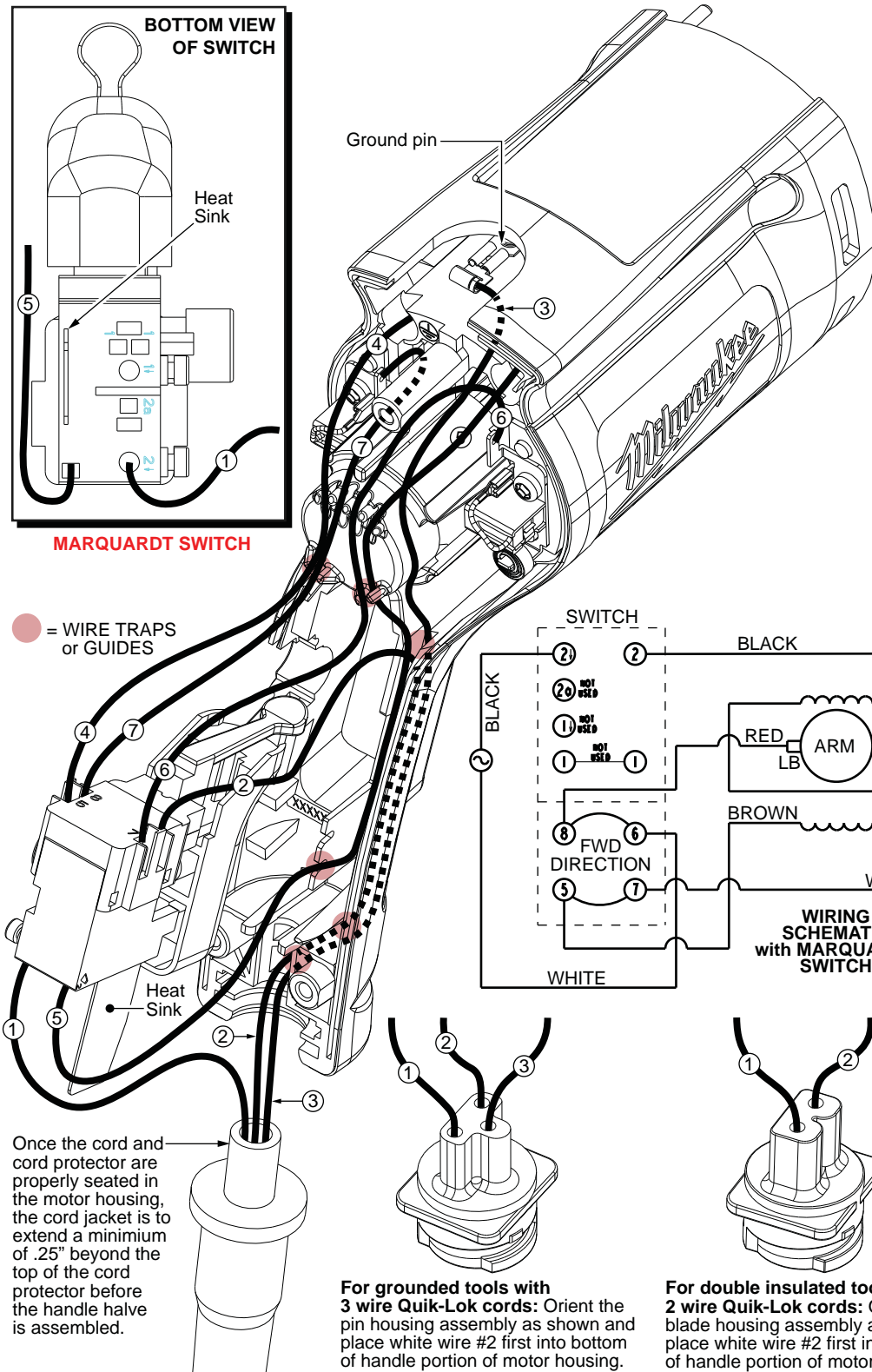
BOTTOM VIEW OF SWITCH

Heat Sink

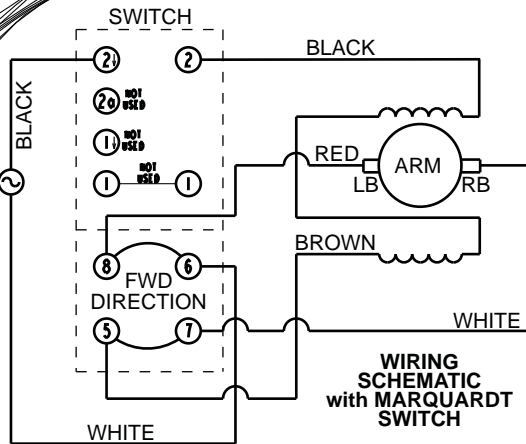
MARQUARDT SWITCH

Ground pin

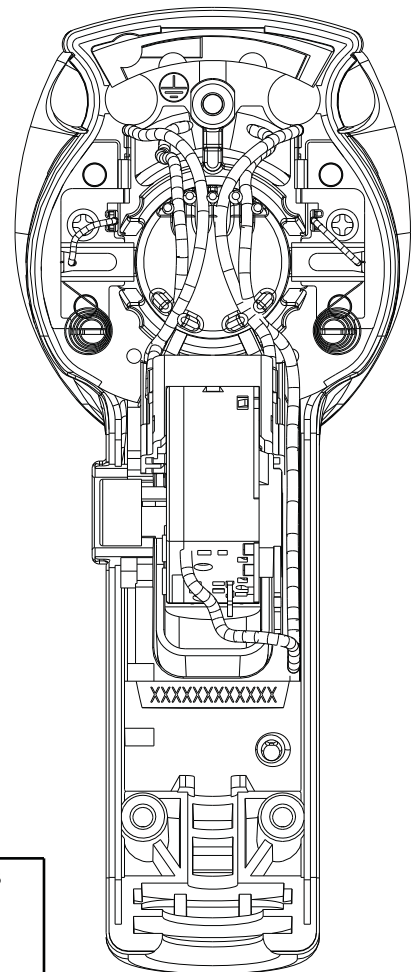
● = WIRE TRAPS or GUIDES



Heat Sink



WIRING SCHEMATIC with MARQUARDT SWITCH

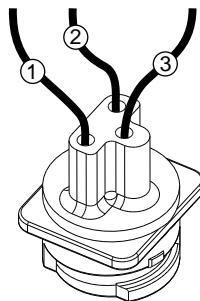


AS AN AID TO REASSEMBLY, TAKE NOTICE OF WIRE ROUTING AND POSITION IN WIRE GUIDES AND TRAPS WHILE DISMANTLING TOOL.

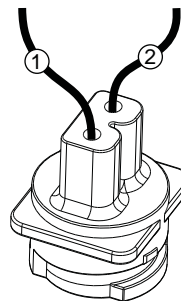
BE CAREFUL AND AVOID PINCHING WIRES BETWEEN HANDLE HALVES WHEN ASSEMBLING.

FOR DOUBLE INSULATED TOOLS DISREGARD GREEN WIRE #3 AND GROUND PIN.

Once the cord and cord protector are properly seated in the motor housing, the cord jacket is to extend a minimum of .25" beyond the top of the cord protector before the handle half is assembled.



For grounded tools with 3 wire Quik-Lok cords: Orient the pin housing assembly as shown and place white wire #2 first into bottom of handle portion of motor housing.



For double insulated tools with 2 wire Quik-Lok cords: Orient the blade housing assembly as shown and place white wire #2 first into the bottom of handle portion of motor housing.

WIRING SPECIFICATIONS

Wire No.	Wire Color	Origin or Gauge	Length	Terminals, Connectors and 1 or 2 End Wire Preparation
1	Black	*	-----	*Component of cord set, pin hsg. assy. or blade hsg. assy. Connect to #2↓ on switch bottom.
2	White	*	-----	*Component of cord set, pin hsg. assy. or blade hsg. assy. Connect to #6 on switch top.
3	Green	*	-----	*Component of cord set, pin hsg. assy. or blade hsg. assy. Connect to male tab on ground terminal.
4	Brown	Field	-----	Component of field. Connect to #5 on switch top.
5	Black	Field	-----	Component of field. Connect to #2 on switch bottom.
6	White	23-94-0490	-----	Leadwire assembly. Connect to right brush holder and #7 on switch top.
7	Red	23-94-0495	-----	Leadwire assembly. Connect to left brush holder and #8 on switch top.