



SERVICE PARTS LIST

BULLETIN NO.
54-06-0207

SPECIFY CATALOG NO. AND SERIAL NO. WHEN ORDERING PARTS		REVISED BULLETIN 54-06-0206	DATE May '85
1/4" SINGLE SPEED PISTOL DRILL		WIRING INSTRUCTION 58-01-0643	
CATALOG NO. 0101	STARTING SERIAL NO. 376-80000		
CAT. NO. 0101-6	START SER. NO. 376-80000	BILINGUAL LABEL 10-98-6405	

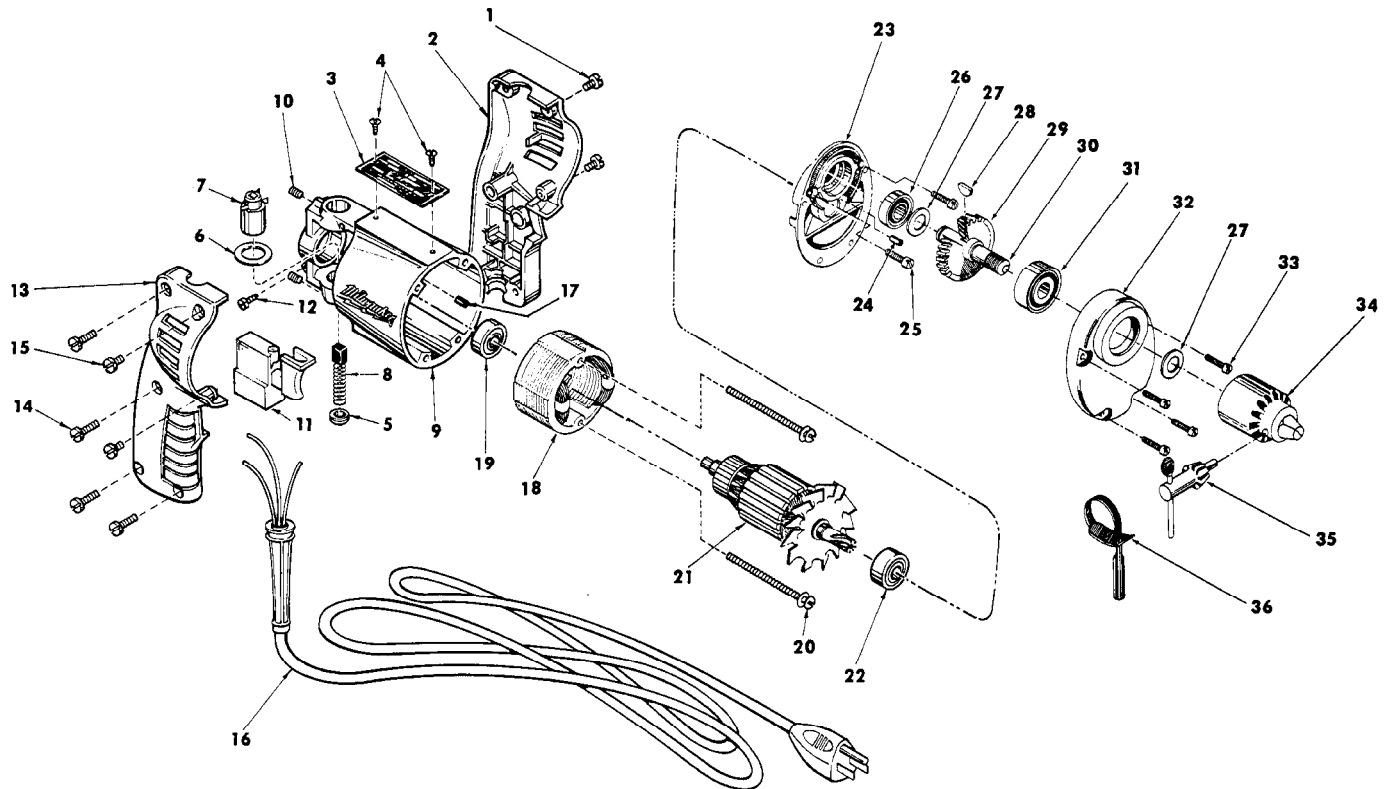


FIG.	PART NO.	DESCRIPTION OF PART	NO.REQ.	FIG.	PART NO.	DESCRIPTION OF PART	NO.REQ.
★	1	06-95-0209 8-32 x 3/8 Taptite Screw	(2)				
★	2	31-44-1355 L.H. Handle Half	(1)				
★	3	12-99-0027 Nameplate Blank	(1)				
	4	06-85-0200 Nameplate Screw	(2)				
	5	23-44-0020 Brush Retaining Cap	(2)				
	6	23-86-0105 Insulating Washer	(2)				
	7	22-22-1251 Brush Holder Assy.	(2)				
★	8	22-18-0362 Carbon Brush Assy.	(2)				
★	9	28-50-6096 Motor Housing (Incl. Fig. No. 17)	(1)				
	10	06-83-2430 10-32 x 1/4 Soc. Hd. Set Screw	(2)				
	11	23-66-0515 Switch	(1)				
	12	06-81-8625 Ground Screw	(1)				
★	13	31-44-1360 R.H. Handle Half	(1)				
★	14	06-95-0220 8-18x3/4 Thread Form Screw	(4)				
★	15	06-95-0209 8-32 x 3/8 Taptite Screw	(2)				
	16	22-64-0665 Cord Set	(1)				
	17	45-30-0120 Ball Bearing Ret. Slug	(1)				
	18	18-10-0050 Field	(1)				
	19	02-04-0740 Ball Bearing	(1)				
	20	06-81-5935 6-32x1-3/4 Fil. Hd. Screw	(2)				
★	21	16-10-0305 Armature Assy.	(1)				
	22	02-04-0880 Ball Bearing	(1)				
	23	28-28-0941 Diaphragm	(1)				
	24	45-30-0070 Ball Bearing Ret. Slug	(1)				
	25	06-81-6202 8-32x5/8 Fil. Hd. Screw	(2)				
	26	02-08-0375 Ball Bearing	(1)				
	27	45-88-0250 Washer	(2)				
	28	06-42-0400 Woodruff Key	(1)				
	29	32-75-1901 Spindle Gear	(1)				
	30	38-50-5021 Spindle	(1)				
	31	02-04-1040 Ball Bearing	(1)				
	32	28-14-1331 Gear Case Assy.	(1)				
	33	06-81-6300 8-32x7/8 Fil. Hd. Screw	(4)				
	34	48-66-0260 Chuck	(1)				
	35	48-66-3200 Chuck Key	(1)				
	36	48-66-4080 Key Holder	(1)				
★	37	10-98-5986 Warning Label (Not Shown) Omit For Canadian Tools	(1)				