



SERVICE PARTS LIST

BUL. 54-06-0201

1/4" PISTOL DRILL

REVISED BUL
6376-2

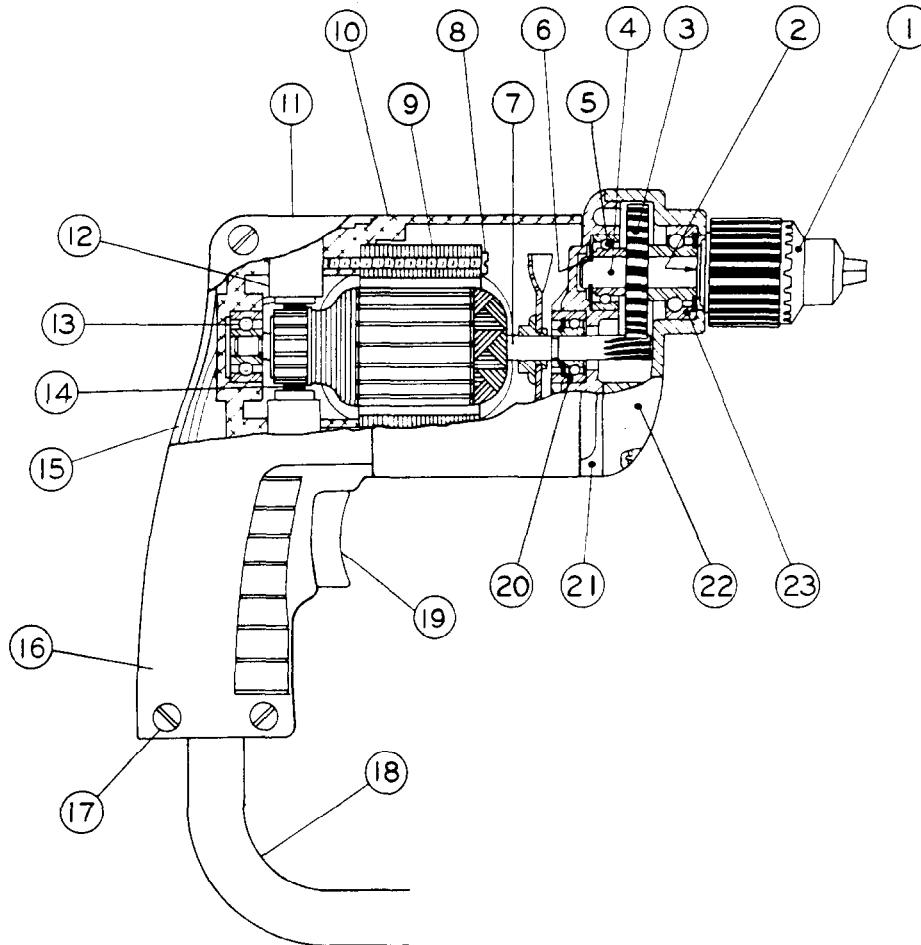
DATE
Feb. '68

Catalog No. 0101

Starting Serial No. 376-4831

Both Model and Serial No. must be furnished to obtain correct parts.

WIRING INSTR.



ILLUSTRATED PARTS

FIG.	PART NO.	DESCRIPTION OF PART	NO.REQ.	FIG.	PART NO.	DESCRIPTION OF PART	NO.REQ.
1	48-66-0260	Chuck		13	02-04-0740	Ball Bearing	
2	45-88-0250	Chuck Washer		14	22-18-0360	Carbon Brush Assy.	(2)
3	32-75-1901	Spindle Gear		15	31-44-0111	Left Hand Handle Half	
4	38-50-3451	Spindle		16	31-44-0100	Right Hand Handle Half	
5	02-08-0375	Spindle Ball Bearing (Rear)		17	06-81-3650	8-32x3/4 Oval Hd. Handle Screw	(4)
6	34-60-0700	Spindle Retaining Ring		18	22-64-0450	Cord Set	
* 7	16-22-1270	Armature Assy.		19	23-66-0560	Switch	
8	06-81-5950	6-32x1-7/8 Fil. Hd. Field Screw	(2)	* 20	02-04-0880	Ball Bearing	
9	18-22-1030	Field Assy.		21	28-28-0941	Diaphragm	
10	28-50-6091	Motor Housing		22	28-14-1001	Gear Case	
11	23-44-0020	Brush Retaining Cap	(2)	23	02-40-1000	Spindle Ball Bearing	
12	22-22-0251	Brush Holder Assy.	(2)				

MISCELLANEOUS PARTS NOT SHOWN

PART NO.	DESCRIPTION OF PART	NO.REQ.	PART NO.	DESCRIPTION OF PART	NO.REQ.
12-98-0600	Name Plate		45-30-0120	Ball Bearing Slug (Body)	
06-81-3600	8-32 x 3/8 Oval Hd. Handle Mtg. Screw	(4)	06-81-6150	8-32 x 1/2" Fil. Hd. Sems Diaphragm Screw	(2)
06-81-4300	3-48 x 3/16 Rd. Hd. Name Plate Screw	(2)	06-81-6300	8-32 x 7/8" Fil. Hd. Sems Gear Case Screw	(4)
06-83-0100	10-32 x 1/4 Brush Holder Set Screw	(2)	48-66-3200	Chuck Key	
06-81-8625	6-32 x 1/4 Brass Rd. Hd. Ground Screw		48-03-0010	Attachment Plug Adaptor	
48-66-4080	Key Holder		45-88-0250	Washer	
			45-30-0070	Ball Bearing Retaining Slug	
			06-42-0400	Woodruff Key	