



SERVICE PARTS LIST

BUL. 54-06-0204

1/4" PISTOL DRILL

REVISED BUL 54-06-0203 DATE June '73

Catalog No. 0101

Starting Serial No. **376-28592***

WIRING INSTR. **58-01-0030**

Both Model and Serial No. must be furnished to obtain correct parts.

*** IF TOOL SERIAL NO. IS IN THE 376-28592 THRU 376-31991 GROUP, CHECK ARMATURE (FIG. 22) FOR STAMPED PART NO. IF IT READS 16-22-1270 THIS IS THE CORRECT PARTS LIST. IF IT SHOWS 16-22-1280 USE BULLETIN 54-06-0205.**

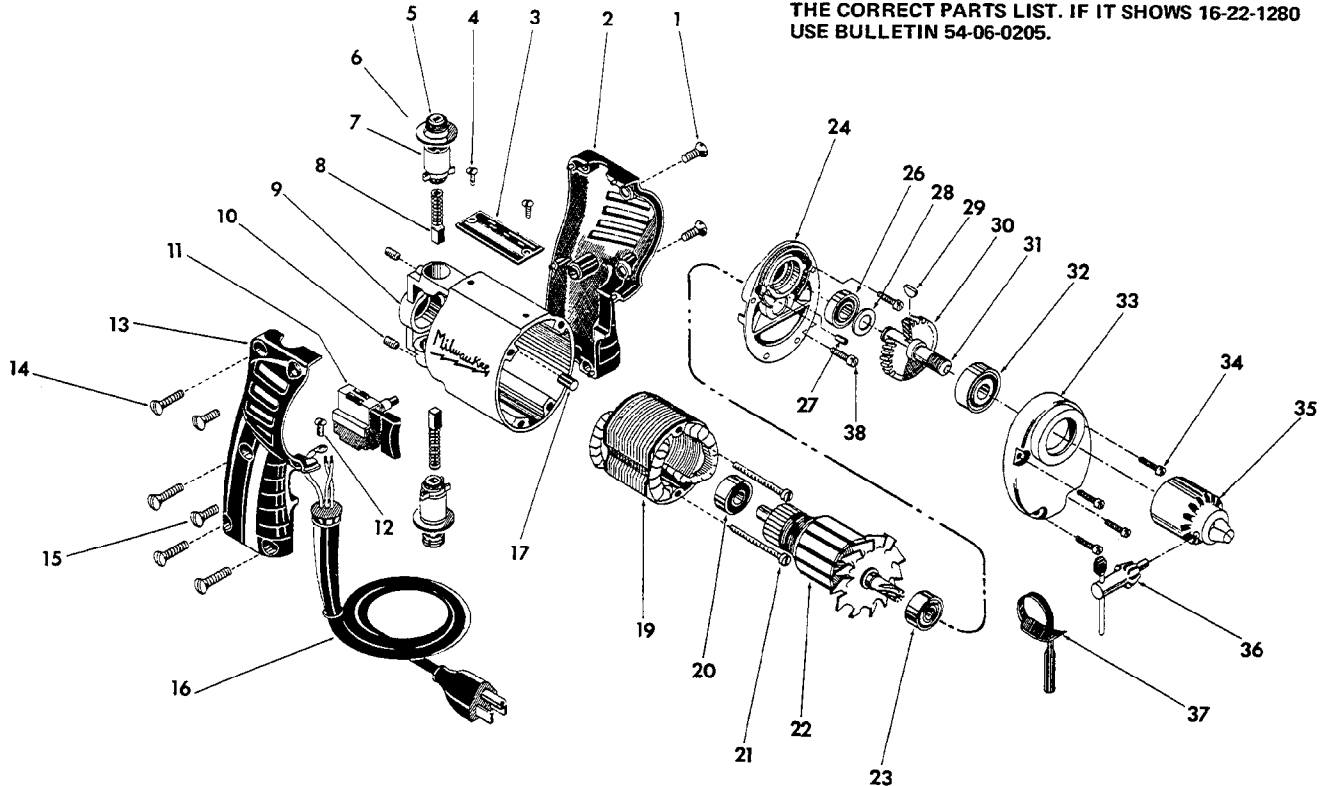


FIG.	PART NO.	DESCRIPTION OF PART	NO. REQ.	FIG.	PART NO.	DESCRIPTION OF PART	NO. REQ.
1	06-81-0450	8-32x3/8 Pan Hd. Handle Mtg. Scr.	(2)	20	02-04-0740	Ball Bearing	
2	31-44-0211	L.H. Handle Half		21	06-81-5950	6-32x1-7/8 Fil. Hd. Field Scr.	(2)
★3	12-99-0020	Name Plate		22	16-22-1270	Armature Assy.	
★4	06-85-0200	6 x 1/4 Rd. Hd. Type Z Screw	(2)	23	02-04-0880	Ball Bearing	
5	23-44-0020	Brush Retaining Cap	(2)	24	28-28-0941	Diaphragm	
★6	23-86-0105	Insulating Washer	(2)	26	02-08-0375	Ball Bearing	
7	22-22-0251	Brush Holder Assy. (inc. fig. 6)	(2)	27	45-30-0070	Ball Bearing Ret. Slug	
8	22-18-0360	Carbon Brush Assy.	(2)	28	45-88-0250	Washer	
9	28-50-6091	Motor Housing Assy. (Incl. Item 17)		29	06-42-0400	Woodruff Key	
10	06-83-2430	10-32x1/4 Hd'less Set Screw	(2)	30	32-75-1901	Spindle Gear	
11	23-66-0510	Switch		31	02-04-0740	Ball Bearing	
12	06-81-8625	6-32 x 1/4 Ground Screw		32	02-04-1040	Ball Bearing	
13	31-44-0200	R.H. Handle Half		33	28-14-1331	Gear Case	
14	06-81-0400	8-32x3/4 Pan Hd. Handle Mtg. Scr.	(4)	34	06-81-6300	8-32x7/8 Fil. Hd. Gear Case Scr.	(4)
15	06-81-0450	8-32x3/8 Pan Hd. Handle Mtg. Scr.	(2)	35	48-66-0260	Chuck	
16	22-64-0450	Cord Set		36	48-66-3200	Chuck Key	
17	45-30-0120	Ball Bearing Ret. Slug		37	48-66-4080	Key Holder	
19	18-22-1030	Field Assy.		★38	06-81-6200	8-32 x 5/8 Fil. Hd. Screw	(2)