



SERVICE PARTS LIST

BUL. 54-06-0107

1/4" PISTOL DRILL

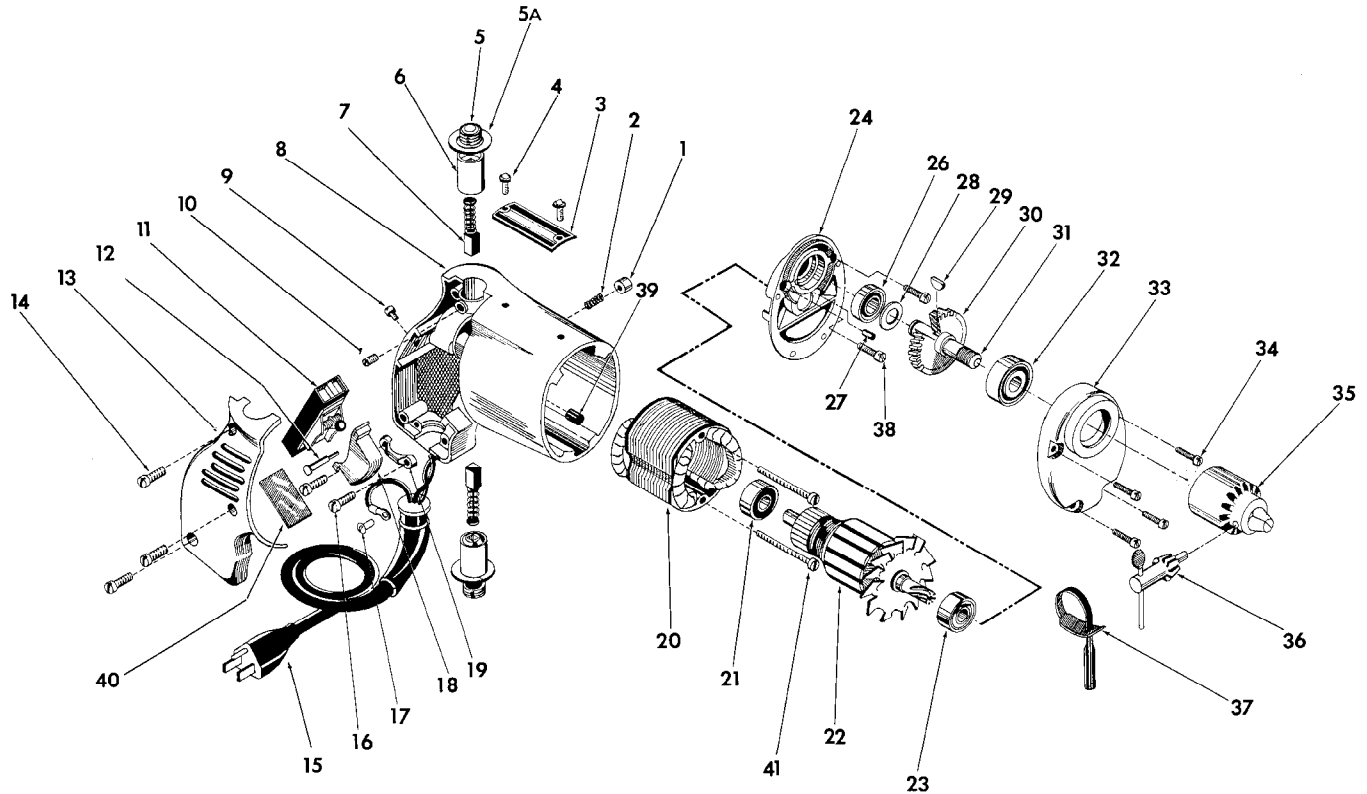
REVISED BUL. 54-06-0107 DATE Jan.'70

Catalog No. 0100

Starting Serial No. **72-142482**

WIRING INSTR. **58-01-0010**

Both Model and Serial No. must be furnished to obtain correct parts.



ILLUSTRATED PARTS

FIG.	PART NO.	DESCRIPTION OF PART	FIG.	PART NO.	DESCRIPTION OF PART
1	42-42-0061	Trigger Lock Button	20	18-22-1030	Field Assy.
2	40-50-1200	Trigger Lock Spring	21	02-04-0740	Ball Bearing (Comm End)
3	12-98-0600	Name Plate	22	16-22-1270	Armature Assy.
★4	06-77-0625	6X1/4 Driv-in Screw (2)	23	02-04-0880	Ball Bearing (Pinion End)
5	23-44-0020	Brush Retaining Cap (2)	24	28-28-0941	Diaphragm
5a	23-86-0070	Insulating Washer (2)	26	02-08-0375	Ball Bearing
6	22-22-0050	Brush Holder Assy. (inc. fig. 5a) (2)	27	45-30-0070	Ball Brg. Retaining Slug
7	22-18-0090	Carbon Brush Assy. (2)	28	45-88-0250	Washer
8	28-50-4447	Motor Housing (Incl. item 1, 2, 12, 13, 39 & 14)	29	06-42-0400	Woodruff Key
9	06-81-5800	6-32x5/16 Fil. Hd. Switch Mtg. Scr.	30	32-75-1901	Spindle Gear
★10	06-83-2430	10-32x1/4 Hd'less Brush Holder Scr. (2)	31	38-50-5021	Spindle
11	23-66-0280	Switch	32	02-04-1040	Ball Bearing
	06-97-1800	Switch Lock Washers (Not Shown) (4)	33	28-14-1331	Gear Case
12	44-70-0071	Trigger Lock Shaft	34	06-81-6300	8-32x7/8 Fil. Hd. Gear Case Scr. (4)
13	28-20-3002	Handle Cover	35	48-66-0260	Chuck
14	06-81-6150	8-32x1/2 Fil. Hd. Handle Cover Scr. (3)			
15	22-64-0210	Cord Set	36	48-66-3200	Chuck Key
			37	48-66-4080	Key Holder
16	06-81-6150	8-32x1/2 Fil. Hd. Cord Clamp Scr. (2)	38	06-81-6150	8-32x1/2 Fil. Hd. Diaphragm Scr. (2)
17	06-81-8625	6-32x1/4 Rd. Hd. (Brass) Ground Scr.	39	45-30-0060	Ball Brg. Retaining Slug
18	31-92-0101	Switch Trigger	40	23-16-0265	Switch Insulator
19	28-17-0400	Cord Clamp	41	06-81-5950	6-32x1 7/8 Fil. Hd. Field Scr. (2)