



SERVICE PARTS LIST

BUL. 54-06-0106

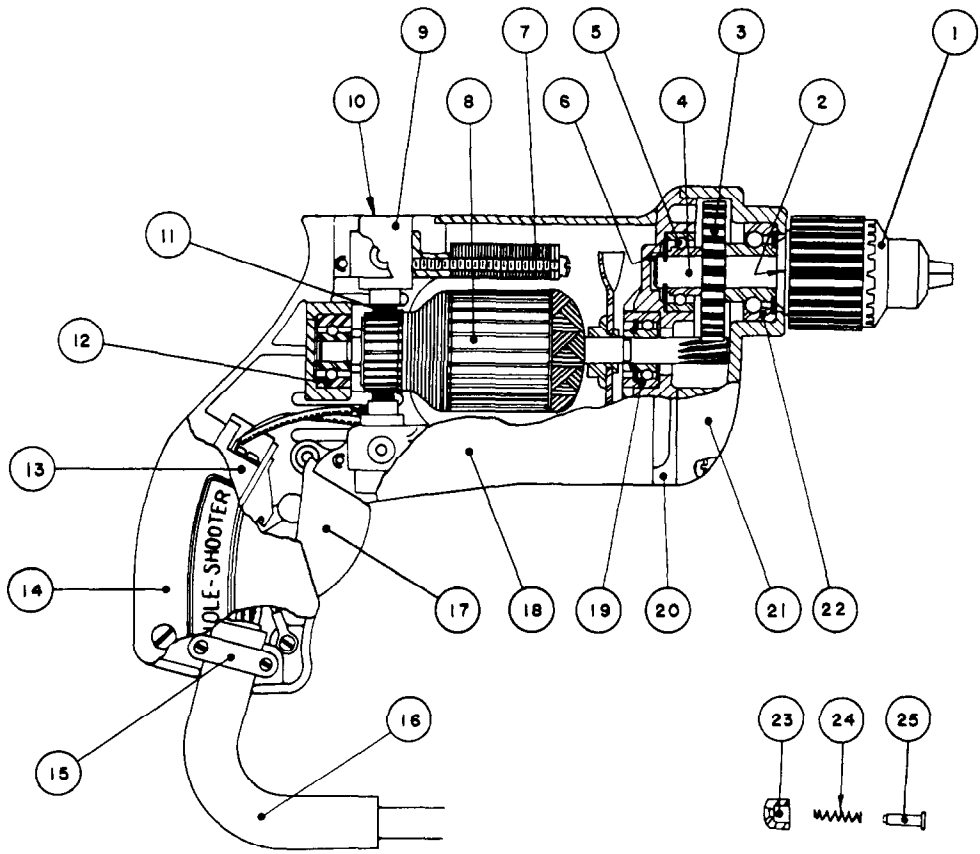
1/4" PISTOL DRILL

Catalog No. 0100

Starting Serial No. **72-133917**

REVISED BUL 672-7 DATE Feb. '68
WIRING INSTR.

Both Model and Serial No. must be furnished to obtain correct parts.



ILLUSTRATED PARTS

FIG.	PART NO.	DESCRIPTION OF PART	FIG.	PART NO.	DESCRIPTION OF PART	
1	48-66-0260	Chuck (3/8-24)	14	28-20-3002	Handle Cover	
2	45-88-0250	Chuck Washer	15	28-17-0400	Cord Clamp	
3	32-75-1901	Spindle Gear	16	22-64-0210	Cord Set	
4	38-50-3451	Spindle	17	31-92-0101	Switch Trigger	
5	02-08-0375	Spindle Ball Brg. (Rear)	18	28-50-4447	Motor Housing	
6	34-60-0700	Spindle Retaining Ring	★19	02-04-0880	Ball Bearing	
7	18-22-1030	Field Assembly	20	28-28-0941	Diaphragm	
★8	16-22-1270	Armature Assembly	21	28-14-1001	Gear Case	
9	22-22-0050	Brush Holder Assembly	22	02-40-1000	Spindle Ball Brg. (Front)	
10	23-44-0020	Brush Retaining Caps	(2)	23	42-42-0061	Trigger Lock Button
11	22-18-0090	Carbon Brush Assembly	(2)	24	40-50-1200	Trigger Lock Spring
★12	02-04-0740	Ball Brg.	25	44-70-0071	Trigger Lock Plunger	
13	23-66-0280	Switch				

MISCELLANEOUS PARTS NOT SHOWN

PART NO.	DESCRIPTION OF PART	PART NO.	DESCRIPTION OF PART
06-42-0400	Woodruff Key (Spindle)	06-81-6300	8-32x7/8 Fil.Hd. Sems Gear Case Screws (4)
06-81-5800	6-32x5/16 Fil. Hd. Sem Switch Mtg. Scr. (2)	06-81-4300	3-48x3/16 Rd. Hd. Name Plate Screws (2)
06-83-0100	10-32x1/4 Hd'less Slotted Brush Holder Sr. (2)		Name Plate
06-81-6150	8-32x1/2 Fil. Hd. Sems Handle Cover Scr. (3)	48-66-3200	Chuck Key
06-81-6150	8-32x1/2 Fil. Hd. Sems Cord Clamp Screws (2)	06-81-5950	6-32x1-7/8 Fil. Hd. Sems Field Screws (2)
06-81-8625	6-32x1/4 Rd. Hd. Sems Ground Screws (Brass)	48-03-0010	Attachment Plug Adaptor
45-30-0060	Body Ball Bearing Ret. Slug	45-88-0250	Washer
23-16-0265	Switch Insulator	45-30-0070	Ball Bearing Ret. Slug
06-81-6150	8-32x1/2 Fil. Hd. Sems Diaphragm Screws (2)		