



Parts Manual

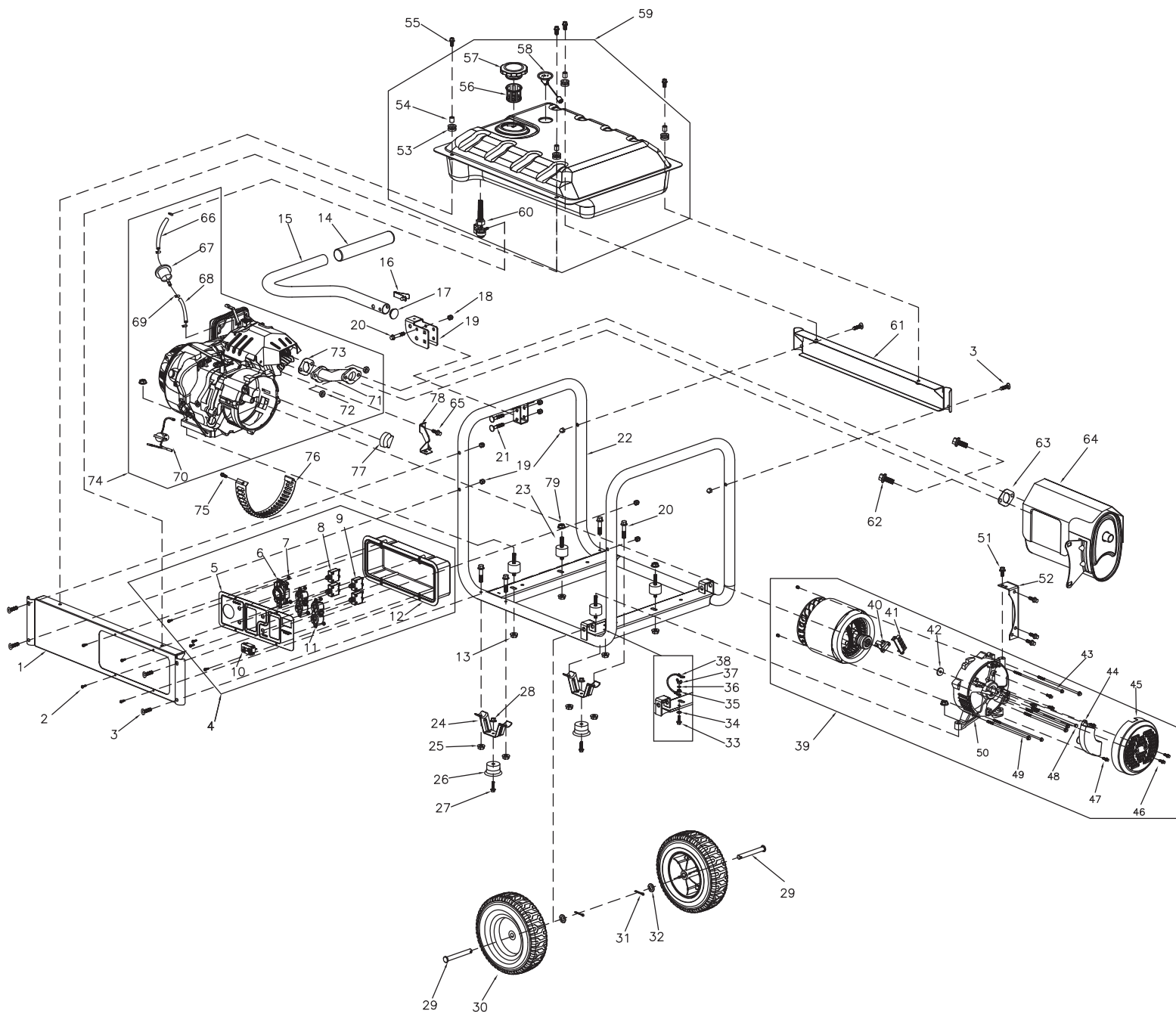
GP5500 389cc

Model 006747-0

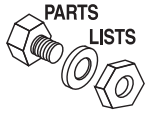
NOTICE!

The information in this manual is known to be accurate as of the date of release shown on the cover. However, engineering changes can occur without notice. To obtain the proper parts, please be sure to use the serial number of the unit being serviced when ordering from this manual. Always refer to any parts notes and changes before ordering. All other parts not shown in this manual can be found on Generac's exploded view drawings online on GENservice at www.generac.com.

2



GP5500 Model 006747-0



ITEM	PART NO.	DESCRIPTION	QTY.
1	0H97480ST03	FRAME RAIL	1
2	0H91980159	PAN HEAD SCREW (M5X16)	8
3	0H1780	CURVED HEAD BOLT (M8X40)	6
4	0K95210110	CONTROL PANEL ASSEMBLY	1
5	0J4536	CONTROL PANEL FACE PLATE	8
6	0K95240111	OUTLET	1
7	0J86620108	NUT (M4)	6
8	0H0265D	CIRCUIT BREAKER (25A)	2
9	0H0265C	CIRCUIT BREAKER (20A)	2
10	0G8321	HOUR METER	1
11	0K95240112	OUTLET	2
12	0G9756	CONTROL PANEL BACK COVER	1
13	067989	NUT (M8)	4
14	0G8442C113	HANDLE GRIP	1
15	0H97560ST15	HANDLE	1
16	0J5347	SNAP BUTTON	1
17	0H9760	HANDLE PLUG	1
18	0H1782	LOCKING CAP NUT (M8)	9
19	0H97670ST15	HANDLE BRACKET	1
20	073144	BOLT (M8X45)	5
21	0H1781	CARRIAGE HEAD BOLT (M8X46)	2
22	0J86620100	FRAME	1
23	0H1783	RUBBER VIBRATION MOUNT	4
24	0K0097	BENT FOOT FRAME	2
25	0K0098	NUT (M8)	4
26	0K0099	RUBBER FOOT	2
27	0K0100	BOLT (M6X28)	2
28	0K0105	NUT (M6)	2
29	0H0204	AXLE PIN	2
30	0K6011	WHEEL ASSEMBLY	2
31	0D4999	COTTER PIN	2
32	022304	FLAT WASHER	2
33	0J35220156	BOLT (M6X20)	1
34	0K0093	SPECIAL LOCK WASHER	1

ITEM	PART NO.	DESCRIPTION	QTY.
35	0G84420272	NUT (M6)	1
36	0J47870118	FLAT WASHER	1
37	0K0094	NUT (M6)	1
38	0K20670114	GROUND WIRE ASSEMBLY	1
39	0J8363	ROTOR AND STATOR ASSEMBLY	1
40	0H0919	BRUSH ASSEMBLY	1
41	0J83630111	WIRE TERMINAL	1
42	0J86620102	FLAT WASHER (M10X4)	1
43	0J83630110	STATOR BOLT (M5X204)	2
44	0H91980178	AUTOMATIC VOLTAGE REGULATOR	1
45	0H3049	GENERATOR END COVER	1
46	0J4967	BOLT (M5X12)	6
47	0J4968	BOLT (M5X16)	3
48	0J8448	ROTOR BOLT (M10X255)	1
49	0J9069	STATOR BOLT (M6X165)	4
50	0H91980171	REAR BEARING HOUSING	1
51	0E9470	BOLT (M8X16)	4
52	0J97760112	MUFFLER BRACKET	1
53	0H1411B	FUEL TANK RUBBER MOUNT	4
54	0H1610A	ANTI-CRUSH INSERTS	4
55	0E9507C	BOLT (M8X20)	4
56	0H1326	FUEL FILTER	1
57	0H1325A	FUEL CAP	1
58	0H9005	FUEL METER	1
59	0H75100SRV	FUEL TANK ASSEMBLY (7 GALLON)	1
60	0J0974	FUEL SHUT-OFF VALVE	1
61	0H9749AST03	BACK RAIL	1
62	0E9507B	BOLT (M8X25)	2
63	0J4691	MUFFLER EXHAUST GASKET	1
64	0J8672	MUFFLER	1
65	0G84420194	BOLT (M6X12)	1
66	0G9757A	FUEL HOSE (8X55)	1
67	0G9914	FUEL FILTER	1



GP5500 Model 006747-0

ITEM	PART NO.	DESCRIPTION	QTY.
68	0G9757B	FUEL HOSE (8X80)	1
69	0J25910115	HOSE CLAMP	4
70	0G9911	ENGINE SWITCH	1
71	0J4535A	EXHAUST MANIFOLD	1
72	0J35220161	NUT (M8)	2
73	0G9028	CYLINDER EXHAUST GASKET	1
74	0G8442C	ENGINE 389CC	1
75	0J00620100	BOLT (M5X10)	1
76	0H9761	ALTERNATOR SCROLL	1
77	0J86620104	BAFFLE	1
78	0G8442C112	AIR CLEANER BRACKET	1
79	0J4029	NUT (M10X1.25)	4

©2015 Generac Power Systems, Inc. All rights reserved.
Specifications are subject to change without notice
No reproduction allowed in any form without prior written consent from Generac Power Systems, Inc.