

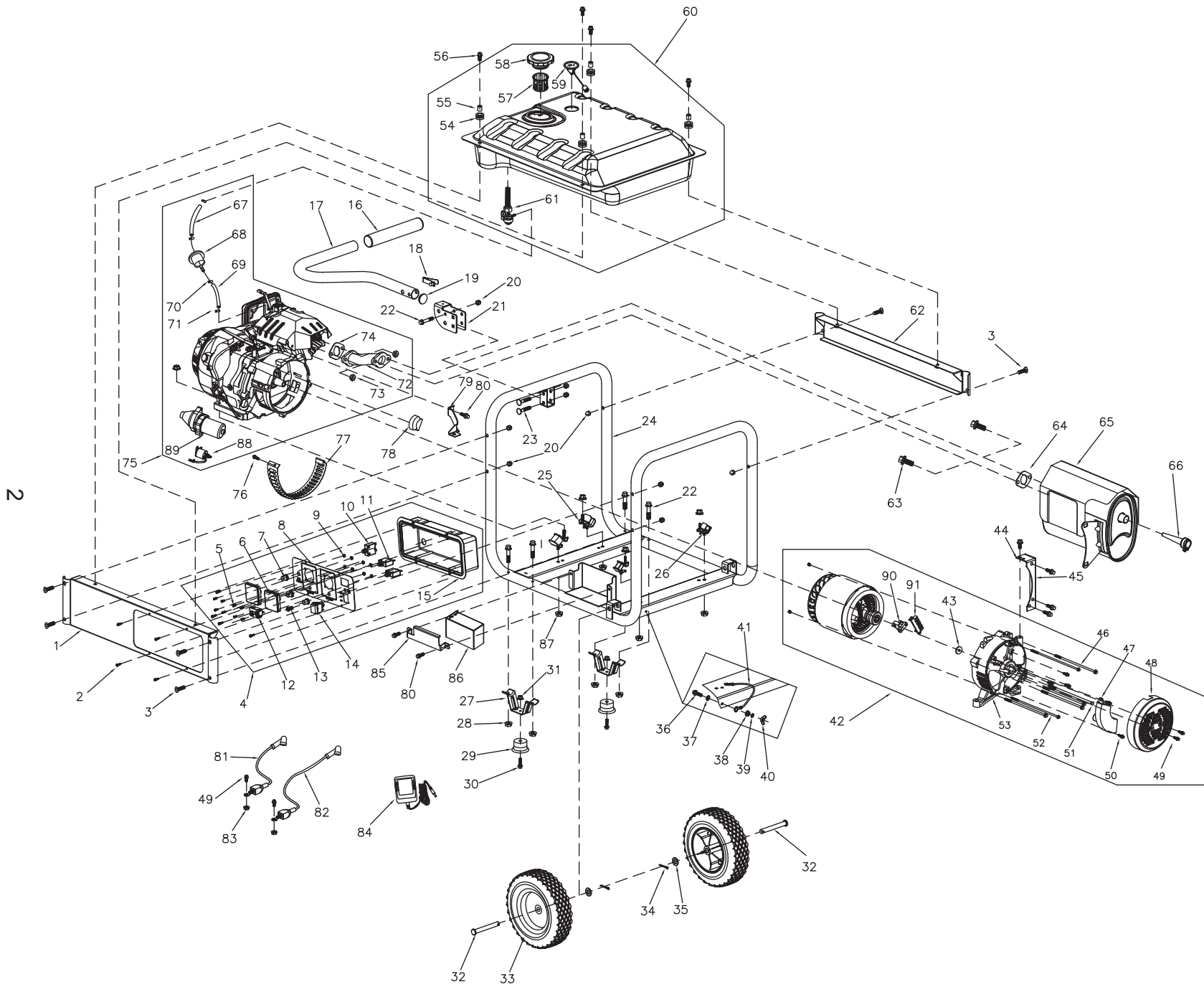


# Parts Manual

**GP6000 420cc (Model 0064270)**

#### **NOTICE!**

The information in this manual is known to be accurate as of the date of release shown on the cover. However, engineering changes can occur without notice. To obtain the proper parts, please be sure to use the serial number of the unit being serviced when ordering from this manual. Always refer to any parts notes and changes before ordering. All other parts not shown in this manual can be found on Generac's exploded view drawings online on GENservice at [www.generac.com](http://www.generac.com).



2

GP6000

Item	Part #	Qty	Description
1	0H97480ST03	1	FRAME, RAIL
2	0H91980159	8	SCREW, PAN M5X16
3	0H1780	6	BOLT, CURVED HEAD
4	0K20680110	1	PANEL ASSY, CONTROL
5	0K20680111	8	SCREW, PAN M4X12
6	0K20670112	2	RECEPTACLE
7	0K20670113	3	COVER, RECEPTACLE
8	0K2059	1	PLATE, FACE, CONTROL PANEL
9	0J86620108	8	NUT M4
10	0K20680112	1	BREAKER, CIRCUIT, 30A
11	0H0265B	2	BREAKER, CIRCUIT, 15A
12	0G8321	1	METER, HOUR
13	0J4959	1	INPUT, CHARGER
14	0J0251	1	SWITCH, ENGINE
15	0G9756A	1	COVER, BACK PANEL
16	0G8442C113	1	GRIP, HANDLE
17	0H97560ST15	1	HANDLE
18	0J5347	1	BUTTON, SNAP
19	0H9760	1	PLUG, HANDLE
20	0H1782	9	NUT, LOCKING CAP(M8)
21	0H97670ST15	1	BRACKET, HANDLE
22	073144	5	BOLT, M8X45
23	0H1781	2	BOLT, CARRIAGE HEAD M8X46
24	0K1847AST15	1	FRAME
25	0J2085A	2	MOUNT, VIBRATION (LEFT)
26	0J2085	2	MOUNT, VIBRATION (RIGHT)
27	0K0097	2	FRAME, BENT FOOT
28	0K0098	4	NUT M8
29	0J8836	2	FOOT, RUBBER
30	0K0100	2	BOLT M6X28
31	0K0105	2	NUT M6
32	0H0204	2	PIN, AXLE
33	0K6011	2	WHEEL
34	0D4999	2	PIN, COTTER
35	022304	2	WASHER, FLAT
36	0J35220156	1	BOLT, M6X20
37	0K0093	1	WASHER, SPECIAL LOCK
38	0G84420272	1	NUT M6
39	0J47870118	2	WASHER, FLAT
40	0K0094	1	NUT M6

Item	Part #	Qty	Description
41	0K0092	1	WIRE ASSY., GROUND
42	0K1882	1	ALTERNATOR ASSY.
43	0J86620102	1	WASHER, FLAT M10X4
44	0E9470	4	BOLT, M8X16
45	0G8542	1	BRACKET, MUFFLER
46	0H92090105	4	BOLT, STATOR, M6X193
47	0J86620111	1	AVR
48	0H3049	1	COVER, GENERATOR END
49	0J4967	8	BOLT, M5X12
50	0J4968	3	BOLT, M5X16
51	0H92090104	1	BOLT, ROTOR M10X285
52	0H9838C112	2	BOLT, M5X232
53	0H91980171	1	HOUSING, RR
54	0H1411B	4	MOUNT, RUBBER FUEL TANK
55	0H1610A	4	LINING (ANTI CRUSH)
56	0E9507C	4	BOLT, M8X20
57	0H1326	1	FILTER, FUEL (TANK)
58	0H1325A	1	CAP, FUEL
59	0K09150113	1	METER, FUEL
60	0H75910SRV	1	TANK ASSY. FUEL 8GAL. AUSTRALIA
61	0J0974	1	VALVE, FUEL SHUT OFF
62	0H9749AST03	1	RAIL, BACK
63	0E9507B	2	BOLT, M8X25
64	0J4691	1	GASKET, EXH. MUFFLER
65	0K20680113	1	MUFFLER
66	0J5207C110	1	ARRESTOR, SPARK
67	0G9757A	1	HOSE, FUEL 8X55
68	0G9914	1	FILTER, FUEL (IN-LINE)
69	0G9757B	1	HOSE, FUEL, 8X80
70	048031B	3	CLAMP, HOSE
71	048031B	1	CLAMP, HOSE
72	0J4535A	1	MANIFOLD PIPE, EXHAUST
73	0J35220161	2	NUT, M8
74	0G9028	1	GASKET, EXH., CYLINDER
75	0J9446A	1	ENGINE, 420CC
76	0J00620100	1	BOLT, M5X10
77	0H9761	1	COVER, DUST
78	0J86620104	1	BAFFLE
79	0G8442C112	1	BRACKET, AIR CLEARNER
80	0G84420217	3	BOLT, M6X14



# GP6000

Item	Part #	Qty	Description
81	0J4157B	1	CABLE, BATTERY, POSITIVE
82	0J4157A	1	CABLE, BATTERY, NEGATIVE
83	0H3535	2	NUT, M5
84	0K1965	1	CHARGER, BATTERY
85	0J06940ST15	1	COVER, BATTERY
86	0G9449	1	BATTERY
87	0K22930127	4	NUT, M8
88	0H98380102	1	RELAY, STARTER
89	0H98380101	1	MOTOR, STARTER
90	0H0919	1	BRUSH
91	0J83630111	1	TERMINAL, WIRE CONNECTOR

©2014 Generac Power Systems, Inc. All rights reserved.  
Specifications are subject to change without notice  
No reproduction allowed in any form without prior written consent from Generac Power Systems, Inc.