

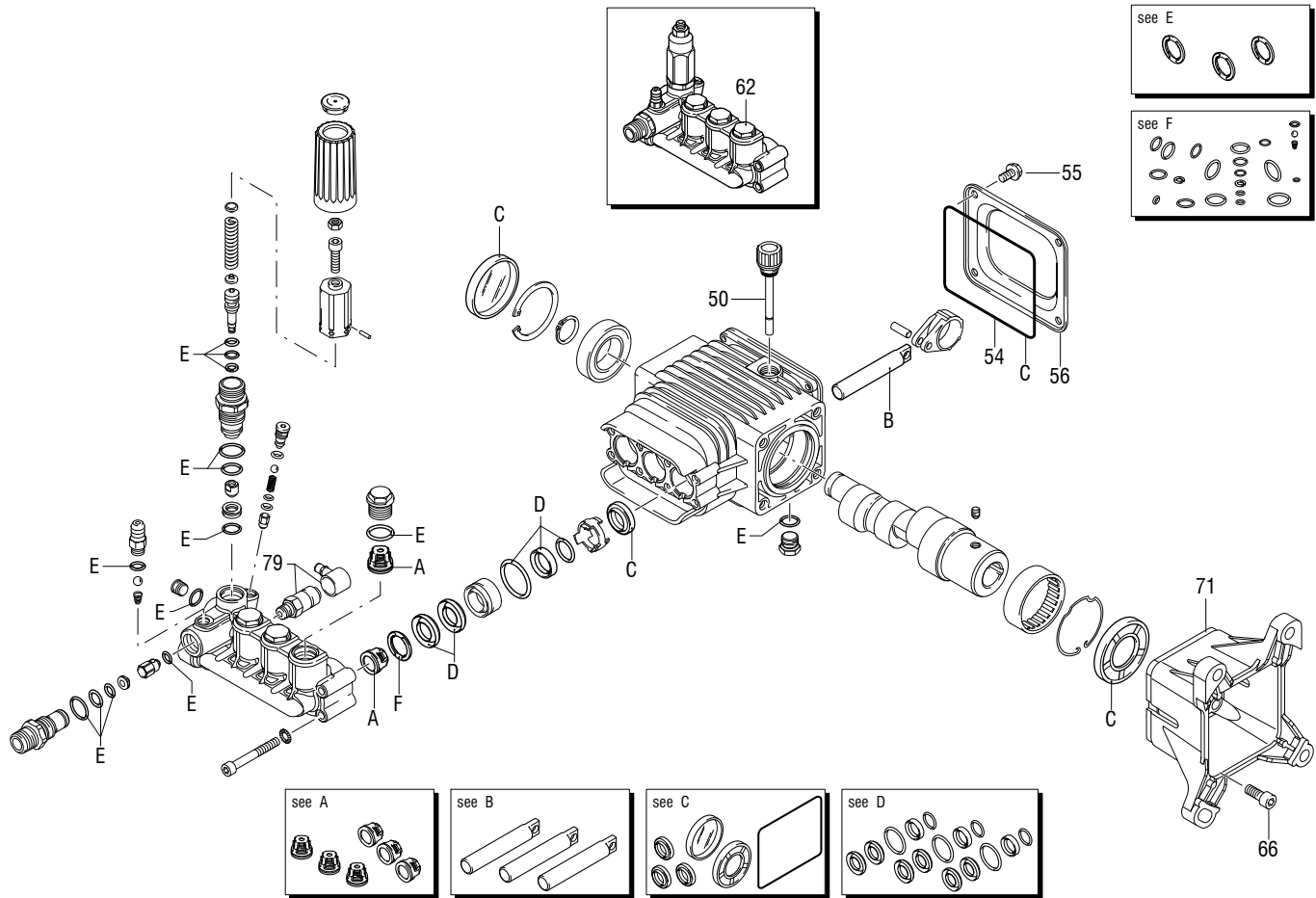
EXPLODED VIEW: EV POWER WASHER LG GP

DRAWING #: 0K1743

GROUP EV

ITEM	PART#	QTY.	DESCRIPTION
1	0J1545	2	SCREW BHSP M6-2.5 X 19MM
2	0J0211	1	HOOK GP HOSE
3	0H9637	1	BILLBOARD CAP W/HOSE HOOK GP
4	OK1775A	1	HOSE 3/8" X 35' W/QC DISK (3500 PSI)
	OK1775B	1	HOSE 3/8" X 50' W/QC DISK (4000 PSI)
5	067989	4	NUT HEX FL WHIZ M8-1.25
6	OK1045	1	ENGINE 302CC (3500 PSI)
	0J7442	1	ENGINE 420CC (4000 PSI)
	OK2293	1	ENGINE 420CC (4000 PSI INT)
7	OK1669	1	PUMP TRIPLEX 3.3 GPM (3500 PSI INT)
	0J0480	1	PUMP,TRIPLEX (4000 PSI)
8	092479	4	WASHER LOCK M8 RIBBED
9	0J3315	4	SCREW SHC M8-1.25 X 25 C8.8 ZP
10	0J3317	6	SCREW HHC M8-1.25X55 8.8 BL ZP
11	022145	8	WASHER FLAT 5/16-M8 ZINC
12	0D4417	4	WASHER,RUBBER 1/4" X 1/8" THK
13	045900	4	WASHER FLAT 3/4 ZINC (4000 PSI)
14	0H9590	2	WHEEL, 12"OD PNUM 3/4"OD AXLE (4000 PSI)
15	0J2686	3	RING, SNAP - 5/8" TYPE E (3500 PSI)
	0J2686	1	RING, SNAP - 5/8" TYPE E (4000 PSI)
16	0J3255	2	RING, SNAP - 3/4" TYPE E (4000 PSI)
17	022247	4	WASHER FLAT 5/8 ZINC (3500 PSI)
18	0H9589B	2	WHEEL 10"DIA X 3" (3500 PSI)
19	049820	8	NUT HEX LOCK M8-1.25 NY INS
20	089230	4	SCREW HHFC M8-1.25 X 35 G8.8
21	0J6839	1	FM RAIL-ENGINE GP SERIES
22	0J3079	5	GROMMET-NOZZLE
23	0H9620	1	BILLBOARD-UPPER GP SERIES
24	0J1544	8	SCREW BHSP M6-2.5 X 25MM
25	061906	2	SCREW HHC M8-1.25 X 85 C8.8
26	051753	3	SCREW HHC M6-1.0 X 40 C8.8 FTH
27	022473	4	WASHER FLAT 1/4-M6 ZINC
28	0H9731	2	TUBE END CAP - 1-1/4" OD TUBE
29	0H9601	1	TUBE-GP HANDLE
30	0J0688	2	WASHER, NYLON .325 X .875 X .25
31	0J0141	1	BILLBOARD CAP W/GUN HOOK
32	0J2422	1	ASSY-WIRE PULL START CORD
33	0J0050	1	PULL PIN ASSEMBLY
34	0J5086	1	SCREW BHSC M6-1.0 X 20 ZP
35	0J5254	1	BUMPER-HANDLE STOP
36	0E8388	5	NUT HEX FL WHIZ M6-1.0
37	0J5156A	1	BRACKET-SIDE W/O CUTOUT
38	0J5156B	1	BRACKET-SIDE W/CUTOUT
39	OK6183	1	GUN 4200PSI PROF W/QC
40	0J1052	1	GUN SUPPORT HANDLE
41	0H9625A	1	LANCE ASSY-33" LONG SS
42	0H9617D	1	KIT-NOZZLE (3500 PSI)
	0H9617E	1	KIT-NOZZLE (4000 PSI)
44	0H9603B	1	AXLE, 5/8" DIA (3500 PSI)
45	0J3252	1	AXLE, 3/4" DIA (4000 PSI)
46	0H9765	1	WLDMNT, GP TUBE FRAME RR
47	0H9592	1	WLDMNT, GP TUBE FRAME FT
48	0J0140	1	BILLBOARD CAP W/WAND HOOK GP
49	0J0139	1	BILLBOARD CAP W/O HOOK GP
50	0H9623	1	BILLBOARD-LOWER GP SERIES
51	0G9055A	2	FOOT
52	OK1437	1	DECAL-NOZZLE ID LG PRO (3500/4000 PSI)
53	OK1440A	1	DECAL-GENERAC (3500 PSI)
	OK1440B	1	DECAL-GENERAC (4000 PSI)
54	0J3376	1	DECAL QUICK START GP
55	0J3452	1	DECAL-ON/OFF
56	0J3375	1	DECAL QUICK START GP
57	0H9568	1	COUPLING-FEMALE QDISK
58	0J1445	1	NUT-GARDEN HOSE INLET
59	0J1443	1	NIPPLE-GARDEN HOSE INLET
60	0J1444	1	SCREEN-GARDEN HOSE INLET
61	0J5710	1	DETERGENT HOSE AND FILTER

POWER WASHER PUMP, TRIPLEX-4GPM 4000 PSI – REPLACEMENT PARTS



REF. #	Generac Part #	QTY	Description
	OJ0480	1	COMPLETE PUMP, TRIPLEX-4GPM 4000 PSI
50	0H95660120	1	CAP/DIPSTICK, OIL
54	0H95660121	1	GASKET
55	0H95660122	4	SCREW, M6x12
56	0H95660123	1	COVER, REAR
62	OJ04800115	1	PUMP HEAD, PRE-ASSY.
66	0H95660125	4	SCREW, M8x20
71	0H95660126	1	FLANGE, GAS ENGINE
79	0H9570	1	VALVE ASSY., THERMAL RELIEF

REF. #	Generac Part #	QTY	Repair Kits
A*	OJ04800110	1	KIT, VALVE
A*	OJ04800118	1	KIT, VALVE
B	0H95660111	1	KIT, PISTON
C	0H95660112	1	KIT, OIL SEALS
D	0H95660113	1	KIT, WATER SEALS
E	0H95660114	1	KIT, O-RINGS
F	0H95660115	1	KIT, SUPPORT RINGS

*If pump serial number is prior to 27635120428223994, use Valve Kit OJ04800110.

If pump serial number is equal or greater than 27635120428223994, use Valve Kit OJ04800118.

GENERAC®

Generac Power Systems, Inc.
 S45 W29290 Hwy. 59
 Waukesha, WI 53189
 1-888-GENERAC (1-888-436-3722)