

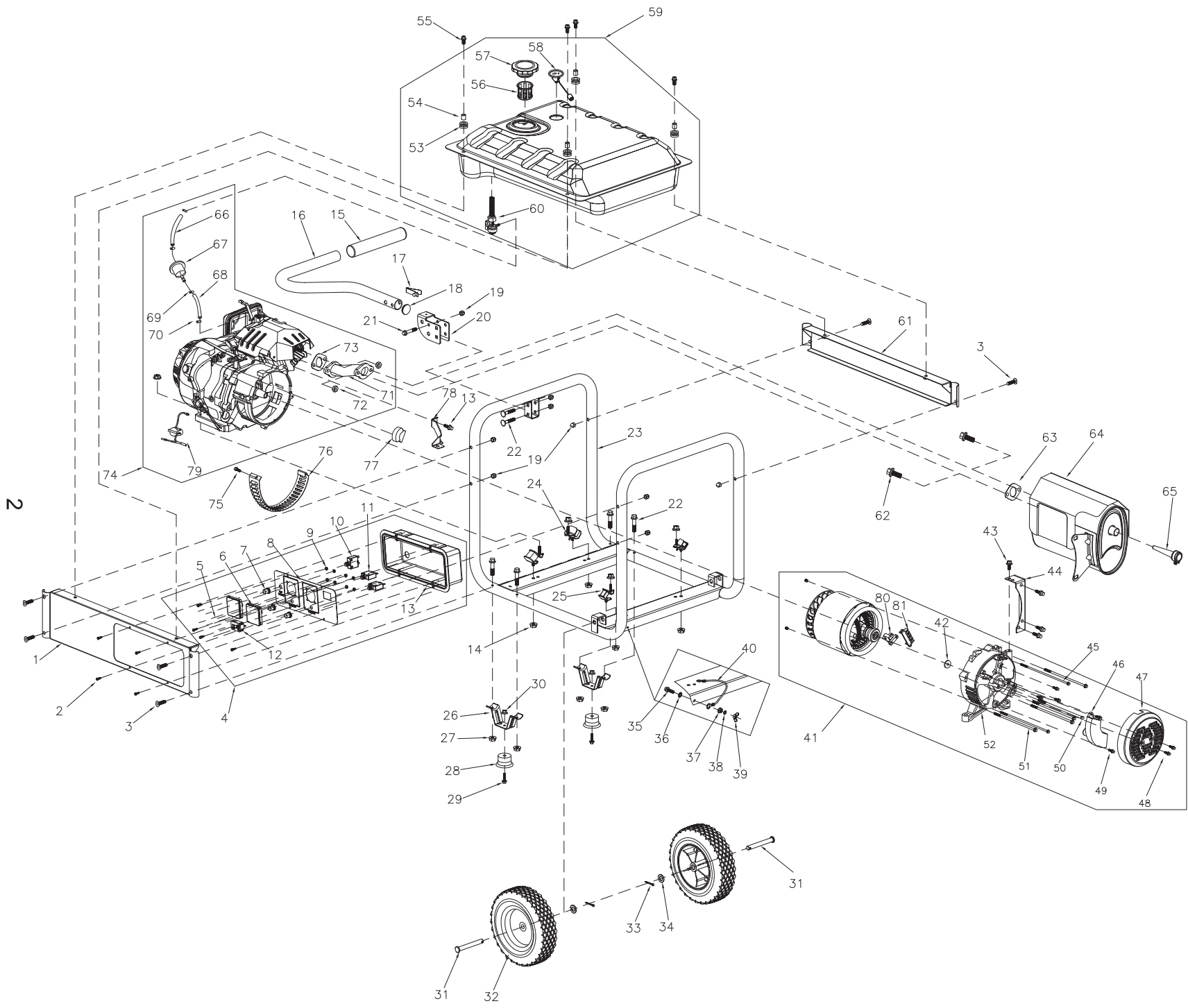


Parts Manual

GP5000 389cc (Model 0064260)

NOTICE!

The information in this manual is known to be accurate as of the date of release shown on the cover. However, engineering changes can occur without notice. To obtain the proper parts, please be sure to use the serial number of the unit being serviced when ordering from this manual. Always refer to any parts notes and changes before ordering. All other parts not shown in this manual can be found on Generac's exploded view drawings online on GENservice at www.generac.com.



2

GP5000

GP5000



Item	Part #	Qty	Description
1	0H97480ST03	1	FRAME, RAIL
2	0H91980159	8	SCREW, PAN, M5 X 16
3	0H1780	6	BOLT, CURVED HEAD, M8X40
4	0K20670110	1	PANEL ASSY., CONTROL
5	0K20670111	8	SCREW, PAN, M4 X 10
6	0K20670112	2	SOCKET
7	0K20670113	3	COVER, OUTLET
8	0K2059A	1	FACE PLATE, CONTROL PANEL
9	0J86620108	8	NUT, M4
10	0H0265D	1	BREAKER, CIRCUIT, 25A
11	0H0265B	2	BREAKER, CIRCUIT, 15A
12	0G8321	1	METER, HOUR
13	0G9756	1	BACK COVER, CONTROL PANEL
14	067989	4	NUT, M8
15	0G8442C113	1	GRIP, HANDLE
16	0H97560ST15	1	HANDLE
17	0J5347	1	BUTTON, SNAP
18	0H9760	1	CAP, END
19	0H1782	9	NUT, LOCKING CAP, M8
20	0H97670ST15	1	BRACKET, HANDLE
21	0B1214	5	BOLT, M8X45
22	0H1781	2	BOLT, CARRIAGE HEAD M8X46
23	0K18470ST15	1	FRAME
24	0J2085A	2	VIB MNT 45DEG M8X15.5/ M10X37.5 (ENGINE SIDE)
25	0J2085	2	VIB MNT 45DEG M8X13.5/ M10X37.5 (ALTERNATOR SIDE)
26	0K0097	2	FRAME, BENT FOOT
27	0K0098	4	NUT, M8
28	0K0099	2	FOOT, RUBBER
29	0k0100	2	BOLT, M6X28
30	0k0105	2	NUT, M6
31	0H0204	2	PIN, AXLE
32	0K6011	2	WHEEL
33	0D4999	2	PIN, COTTER
34	022304	2	WASHER, FLAT 13X2
35	0J35220156	1	BOLT, M6X20
36	0k0093	1	WASHER, LOCK, SPECIAL
37	0G84420272	1	NUT, M6
38	0J47870118	2	WASHER, FLAT 6X0.8
39	0K0094	1	NUT, M6
40	0K20670114	1	WIRE ASSY., GROUND
41	0K1881	1	ALTERNATOR, 5KW GP, 50HZ, BT AL/A

Item	Part #	Qty	Description
42	0J86620102	1	WASHER
43	0E9470	4	BOLT, M8X16
44	0G8542	1	BRACKET, MUFFLER
45	0H91980158	2	BOLT, M5X220
46	0J86620111	1	AVR
47	0H3049	1	COVER, GENERATOR END
48	0J4967	6	BOLT, M5X12
49	0J4968	3	BOLT, M5X16
50	0J86620103	1	BOLT, ROTOR, M10X275
51	0H12810104	4	BOLT, FLANGED STATOR M6X185
52	0H91980171	1	HOUSING, REAR BRNG CAR- RIER
53	0H1411B	4	RUBBER, FUEL TANK
54	0H1610A	4	LINING, ANTI-CRUSH
55	0E9507C	4	BOLT, M8X20
56	0H1326	1	FILTER, FUEL
57	0H1325A	1	CAP, FUEL
58	0H9005	1	GAUGE, FUEL, 8 GAL TANK.
59	0H75100SRV	1	TANK ASSY., FUEL
60	0J0974	1	CUT-OFF VALVE, FUEL
61	0H9749AST03	1	RAIL, BACK
62	0E9507B	2	BOLT, M8X25
63	0J4691	1	GASKET, EXH., MUFFLER
64	0K20670115	1	MUFFLER
65	0J5207C110	1	SPARK ARRESTER
66	0G9757A	1	HOSE, FUEL
67	0G9914	1	FILTER, FUEL
68	0G9757B	1	HOSE, FUEL
69	048031B	3	CLAMP, FUEL HOSE
70	048031B	1	CLAMP, FUEL HOSE
71	0J4535A	1	MANIFOLD, EXHAUST
72	0J35220161	2	NUT, M8
73	0G9028	1	GASKET, EXH, CYLINDER
74	0J9306A	1	ENGINE 389cc
75	0J00620100	1	BOLT, M5X10
76	0H9761	1	SCROLL, ALTERNATOR
77	0J86620104	1	BAFFLE
78	0G8442C112	1	BRACKET, AIR CLEANER
79	0G9911	1	SWITCH, ENG. ON/OFF RED ROTARY
80	0H0919	1	BRUSH ASSY.
81	0J83630111	1	TERMINAL