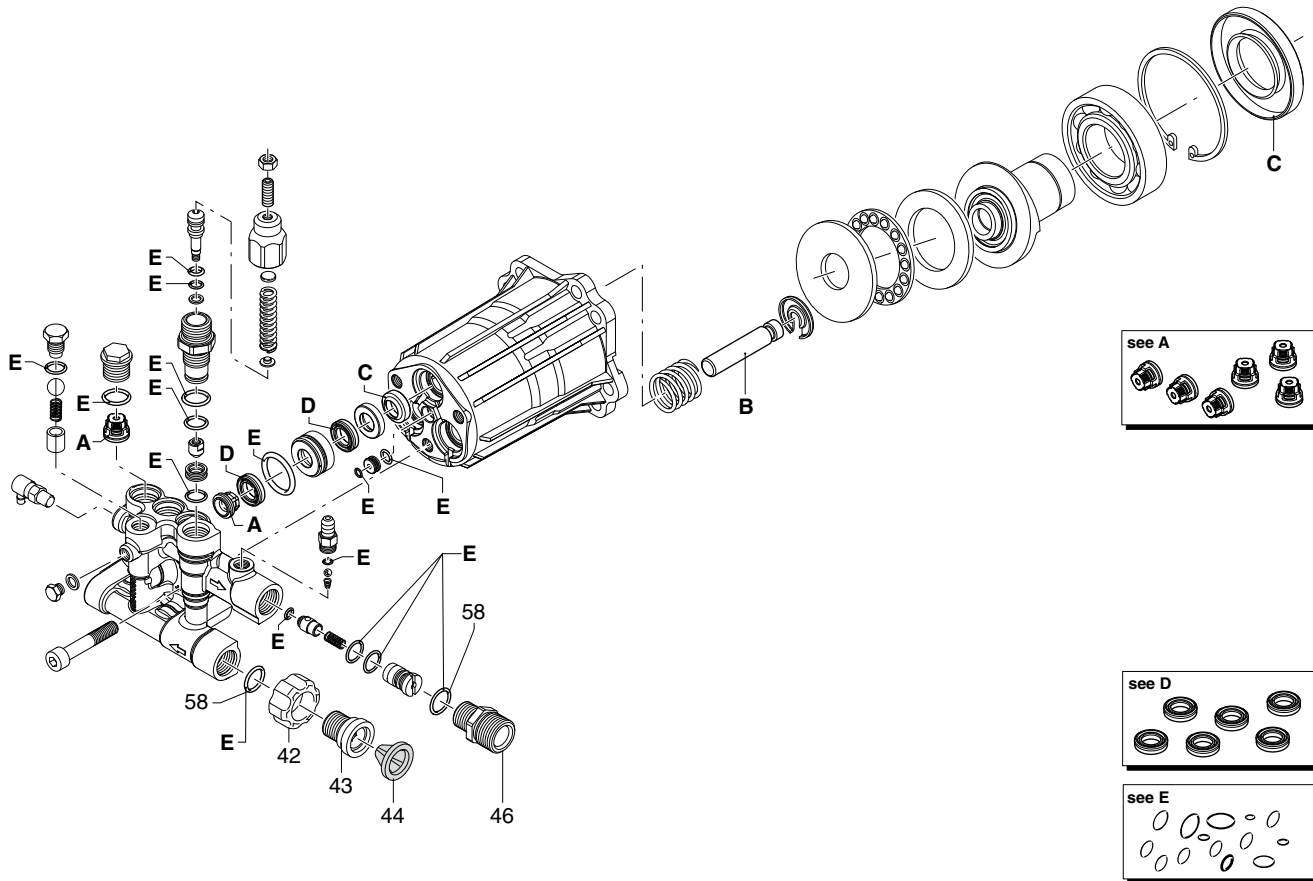


ITEM	PART	QTY.	DESCRIPTION
1	0K0921	1	HOSE 1/4"X25' W/M22 CONN 3100 (2500-2700 PSI)
	0K0921A	1	HOSE 1/4"X30' W/M22 CONN 3100 (3100 PSI)
2	0J1449	6	CHRISTMAS TREE FASTENER
3	0J3055	1	HANDLE 3 NOZZLE (2500 PSI)
	0J3055A	1	HANDLE 4 NOZZLE (2700 PSI)
	0J3055B	1	HANDLE 5 NOZZLE (3100 PSI)
4	0J3079	3	GROMMET-NOZZLE (2500 PSI)
	0J3079	4	GROMMET-NOZZLE (2700 PSI)
	0J3079	5	GROMMET-NOZZLE (3100 PSI)
5	0J1444	1	SCREEN-GARDEN HOSE INLET
6	0J3052	1	HOOK-HOSE
7	0J2051	2	TUBE-HANDLE
8	0J3315	4	SCREW SHC M8-1.25X25 C8.8 ZP
9	092479	4	WASHER LOCK M8 RIBBED C8.8 ZP
10	0H9565	1	PUMP, (2500/2700 PSI)
	0J7764	1	PUMP, AXIAL (3100PSI)
11D	0J8887	1	ENGINE 196CC (2500/2700 PSI)
11E	0K1043	1	ENGINE 212CC (3100 PSI)
11F	0K1042	1	ENGINE 196CC (2700 PSI)
11G	0K1044	1	ENGINE 212CC (3100 PSI)
12	067989	4	NUT HEX FL WHIZ M8-1.25
13	0H9575	2	WHEEL 10" DIA X 1.5"
14	0J1487	2	HUB CAP-WHEEL 10"
15	0J2686	2	RING, SNAP - 5/8"
16	22247	2	WASHER FLAT 5/8 ZINC
17	0J2957	2	WASHER NYLON
18	0J2042	1	TUBE-FRAME
19	0J2045	1	MOUNT-FOOT
20	0J3331	4	SCREW BFHSC M6-1.0 X 45 BLK ZP
21	0J2229	1	VIBRATION MOUNT 1-1/4" OD
22	0J1545	1	SCREW BHSP M6-2.5 X 19MM (2500 PSI)
	0J1545	2	SCREW BHSP M6-2.5 X 19MM (2700 PSI)
	0J1545	3	SCREW BHSP M6-2.5 X 19MM (3100 PSI)
23	089230	4	SCREW HHFC M8-1.25 X 35 G8.8
24	0D3700	4	NUT FLANGE M6-1.0 NYLOK
25	0H9603E	1	AXLE, 5/8" DIA
26	0J2048	1	CAP, CHEMICAL TANK (2700 PSI)
	0J2048	2	CAP, CHEMICAL TANK (3100 PSI)
27	0J2047	1	TANK-CHEMICAL (2700 PSI)
	0J2047	2	TANK-CHEMICAL (3100 PSI)
28	0H9642A	1	GUN (2500-2700 PSI)
	0J7555	1	GUN-W/O RIBS (3100 PSI)
29	0H9640	1	LANCE ASSY-20" LONG
30	0H9617	1	KIT-NOZZLE (2500 PSI)
	0H9617A	1	KIT-NOZZLE (2700 PSI)
	0H9617B	1	KIT-NOZZLE (3100 PSI)
31	0G5442	2	SNAP BUTTON - .437" DIA. HEAD
32	0K1287	1	NOZZLE DECAL (2500 PSI)
	0K1287A	1	NOZZLE DECAL (2700 PSI)
	0K1287B	1	NOZZLE DECAL (3100 PSI)
33	0K1286	1	DECAL-GENERAC 2500PSI 2.3GPM
	0K1286A	1	DECAL-GENERAC 2700PSI 2.3GPM
	0K1286B	1	DECAL-GENERAC 3100PSI 2.7GPM
34	0J2049	1	CAP, CHEMICAL TANK W/HOLE (2700/3100 PSI)
35	0J5710	1	DETERGENT HOSE AND FILTER
36	0J1553	1	DECAL QUICK START GC/GX
37	0J3374	1	DECAL QUICK START GC/GX

# POWER WASHER PUMP, AXIAL-2.5GPM 3000 PSI – REPLACEMENT PARTS



REF. #	Generac Part #	QTY	Description
	OJ7764	1	PUMP, AXIAL-2.5GPM 3000PSI
42	0H95650120	1	FITTING, SUCTION
43	0H95650121	1	FITTING, SUCTION
44	0H95650122	1	FILTER
46	0H95650123	1	FITTING, OUTLET
58	0H95650124	2	O-RING
64	0H9570	1	VALVE ASSY., THERMAL RELIEF

REF. #	Generac Part #	QTY	Description
A	OJ04790110	1	KIT, VALVE
D	OJ04790113	1	KIT, WATER SEALS
E	OJ77640110	1	KIT, O-RINGS
	0H95650116	1	KIT, UNLOADER (NOT SHOWN)

**GENERAC®**

Generac Power Systems, Inc.  
 S45 W29290 Hwy. 59  
 Waukesha, WI 53189  
 1-888-GENERAC (1-888-436-3722)