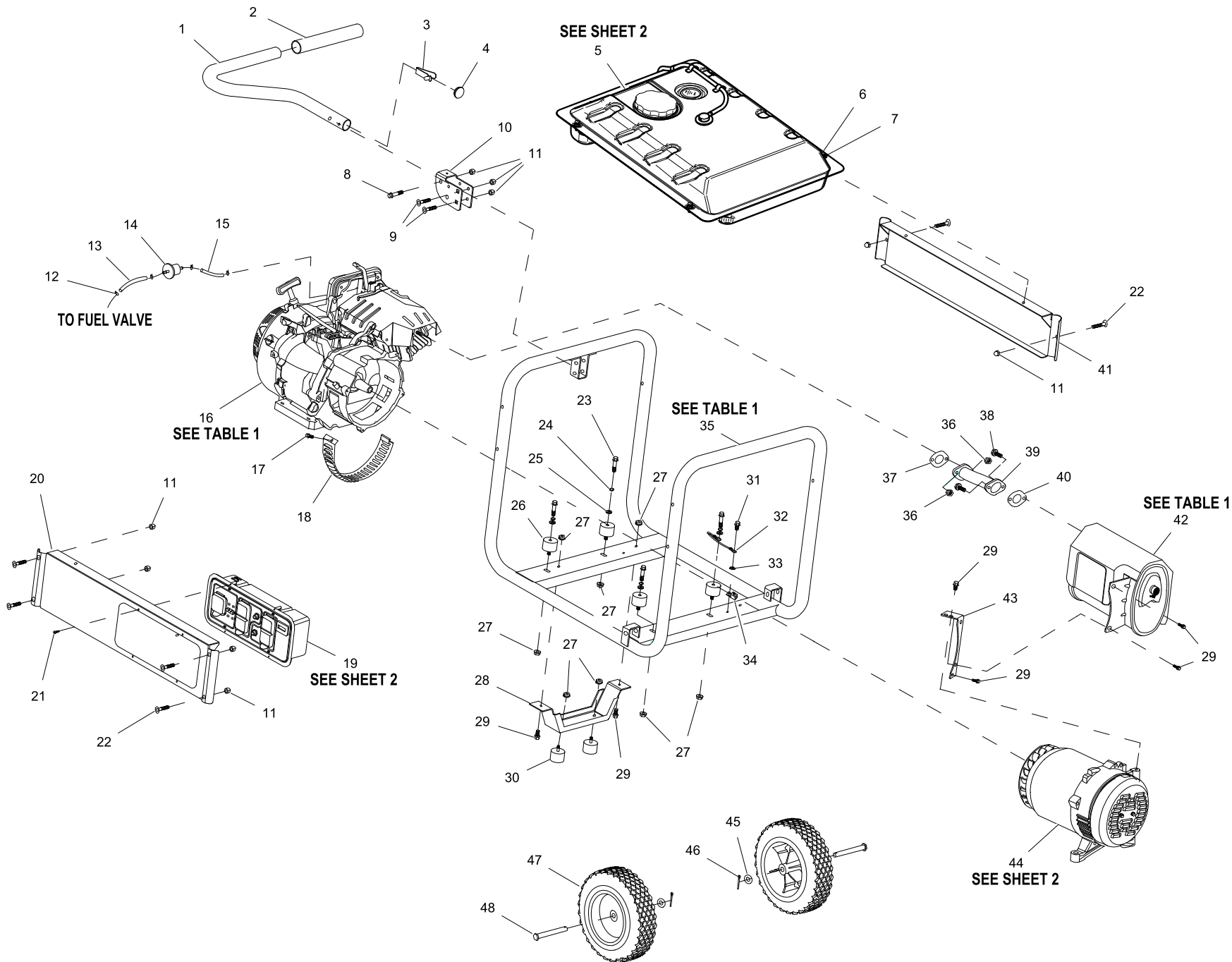


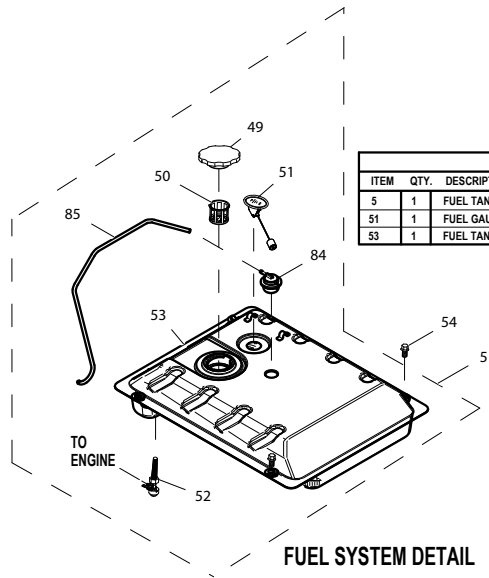
GROUP EV



| ITEM | PART | QTY. | DESCRIPTION |
|------|-------------|------|--------------------------------|
| 1 | 0H9756 | 1 | HANDLE GP |
| 2 | 0H9759 | 1 | HANDLE GRIP GP |
| 3 | 0G5442 | 1 | SNAP BUTTON - .437" DIA. HEAD |
| 4 | 0H9760 | 1 | CAP, END NYLON BLACK |
| 5 | SEE SHEET 2 | 1 | FUEL TANK ASSEMBLY GP |
| 6 | 0H1411B | 4 | RUBBER MOUNT, 10.3 ID X 11 HGT |
| 7 | 0H1610A | 4 | INSERT, ANTI-CRUSH FOR TANKS |
| 8 | 073144 | 1 | SCREW HHFC M8-1.25 X 45 G8.8 |
| 9 | 0H1781 | 2 | CHB M8-1.25 X 46MM LONG |
| 10 | 0H9767 | 1 | HANDLE BRACKET GP LN |
| 11 | 0H1782 | 9 | CAP NUT M8-1.25 BLACK ZINC |
| 12 | 048031B | 4 | CLAMP HOSE BAND SPRING .38 |
| 13 | 0G9757A | 1 | FUEL HOSE |
| 14 | 0G9914 | 1 | FUEL FILTER |
| 15 | 0G9757B | 1 | FUEL HOSE |
| 16 | SEE TABLE 1 | 1 | ENGINE W/O MUFFLER |
| 17 | 045770 | 1 | SCREW HHC M5-0.8 X 10 C8.8 |
| 18 | 0H9761 | 1 | ALTERNATOR SCROLL GP |
| 19 | SEE SHEET 2 | 1 | CONTROL PANEL ASSEMBLY |
| 20 | 0H9748 | 1 | PANEL RAIL C/PNL SIDE GP |
| 21 | 0G8382 | 4 | SCREW PPPH #8-16 X .66" BZC |
| 22 | 0H1780 | 6 | CURVED HEAD M8-1.25 X 41MM LNG |
| 23 | 039414 | 4 | SCREW HHC M8-1.25 X 35 C8.8 |
| 24 | 022129 | 4 | WASHER LOCK M8-5/16 |
| 25 | 022145 | 4 | WASHER FLAT 5/16-M8 ZINC |
| 26 | 0H1783 | 4 | VIB MNT 35MM X 25.4 X M8-1.25 |
| 27 | 067989 | 8 | NUT HEX FL WHIZ M8-1.25 |
| 28 | 0H1114 | 1 | FOOT, BENT, GP5000-GP8000 |
| 29 | 0E9470 | 6 | SCREW HHFC M8-1.25 X 16 G8.8 |
| 30 | 0H1829 | 2 | VIB MNT 38.1 X 25.4 X M8-1.25 |
| 31 | 076340 | 1 | SCREW HHFC M6-1.0 X 16 G8.8 |
| 32 | 0G8753C | 1 | WIRE ASSY GND ALT TO BASE |
| 33 | 0A1658 | 1 | WASHER LOCK SPECIAL 1/4" |
| 34 | 0J4534 | 1 | LUG, SOLDERLESS #2-#8 |
| 35 | SEE TABLE 1 | 1 | ASSEMBLY FRAME GP |
| 36 | 045771 | 2 | NUT HEX M8-1.25 G8 CLEAR ZINC |
| 37 | 0G9028 | 1 | GASKET, EXHAUST |
| 38 | 0E9507B | 2 | SCREW HHFC M8-1.25 X 25 W/M10 |
| 39 | 0J4535A | 1 | MANIFOLD EXHAUST GP5-7.5E 2011 |
| 40 | 0J4691 | 1 | GASKET, EXHAUST, MFLR SIDE |
| 41 | 0H9749 | 1 | PANEL RAIL BACK GP |
| 42 | SEE TABLE 1 | 1 | ASSY MUFFLER GP |
| 43 | 0G8542 | 1 | BRACKET, MUFFLER |
| 44 | SEE SHEET 2 | 1 | ALTERNATOR, BRUSHED, VN |
| 45 | 022304 | 2 | WASHER FLAT 1/2 ZINC |
| 46 | 0D4999 | 2 | PIN COTTER 1/8 X 1-1/4 ZN PLT |
| 47 | 0G8651 | 2 | WHEEL, INCH 9.5 DIA, PLASTIC |
| 48 | 0H0204 | 2 | AXLE PIN, 1/2"X 4", 3/4" HEAD |

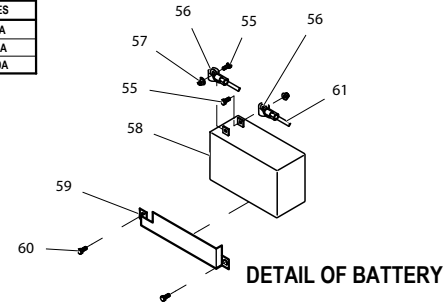
| TABLE 1 | | | | | |
|---------|------|--------------------|----------|----------|----------|
| ITEM | QTY. | DESCRIPTION | 5500W PS | 6500W PS | 7500W ES |
| 16 | 1 | ENGINE W/O MUFFLER | 0G8442A | 0G8442A | 0H9838A |
| 35 | 1 | FRAME | 0H9762 | 0H9762 | 0J0250 |
| 42 | 1 | ASSY MUFFLER GP | 0H9763A | 0H9763A | 0H9763B |

**NOTE: PS = PULL START
ES = ELECTRIC START**



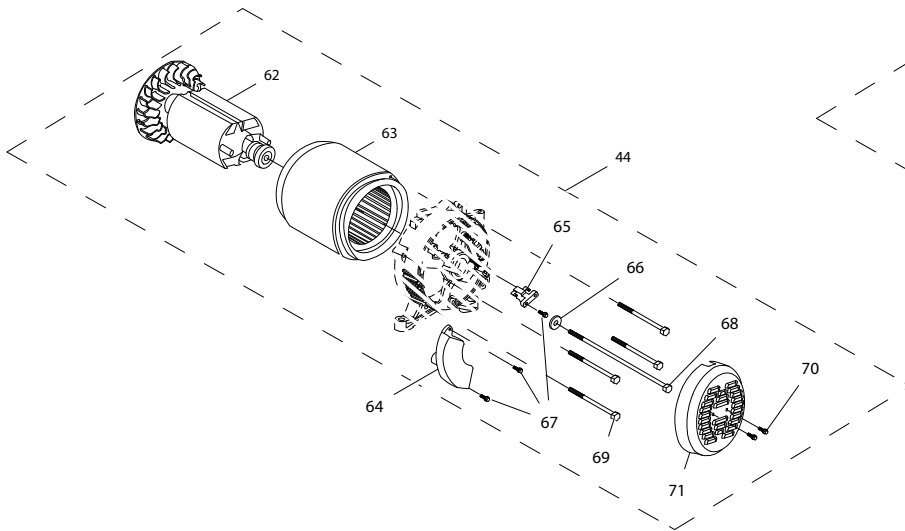
| FUEL SYSTEM TABLE | | | | | |
|-------------------|------|-----------------------|----------|----------|----------|
| ITEM | QTY. | DESCRIPTION | 5500W PS | 6500W PS | 7500W ES |
| 5 | 1 | FUEL TANK ASSEMBLY GP | 0H7510A | 0H7510A | 0H7591A |
| 51 | 1 | FUEL GAUGE | 0H9005 | 0H9005 | 0H9005A |
| 53 | 1 | FUEL TANK WELDMENT | 0H7509A | 0H7509A | 0H7509A |

FUEL SYSTEM DETAIL



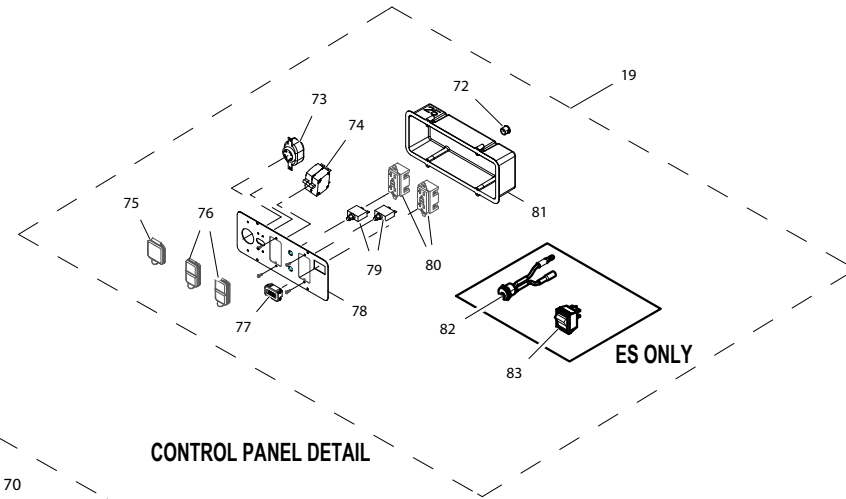
DETAIL OF BATTERY

| ALTERNATOR TABLE | | | | | |
|------------------|------|-------------------------|---------|---------|---------|
| ITEM | QTY. | DESCRIPTION | 5500W | 6500W | 7500W |
| 44 | 1 | ASSY ALTERNATOR | 0J4062 | 0H1281 | 0H9209 |
| 62 | 1 | ASSY ROTOR W/IFAN VN | 0J4970 | 0J4971 | 0J4972 |
| 63 | 1 | ASSY STATOR VN | 0J4974 | 0J4975 | 0J4976 |
| 64 | 1 | AVR | 0H2579B | 0H2579B | 0H2579B |
| 68 | 1 | SCREW HHC M10-1.5 ROTOR | 0J4982 | 0J4982 | 0J4982 |
| 69 | 4 | SCREW HHC M6-1.0 STATOR | 0J4979 | 0J4979 | 0J4980 |



ALTERNATOR DETAIL

| CONTROL PANEL TABLE | | | | | |
|---------------------|------|---------------------------|----------|----------|----------|
| ITEM | QTY. | DESCRIPTION | 5500W PS | 6500W PS | 7500W ES |
| 19 | 1 | CONTROL PANEL | 0H9775A | 0H9775C | 0H9775F |
| 72 | - | SNAP BUSHING.75 OPEN | 0A5489 | 0A5489 | 0A5489 |
| | | (QTY: 1) | (QTY: 1) | (QTY: 1) | (QTY: 2) |
| 74 | 2 | CB 0030A 2P 240V C AA2 QT | 0G9023B | 0G9023C | 0G9023C |
| 78 | 1 | FACE PLATE | 0J4536B | 0J4536B | 0J4536C |
| 81 | 1 | BOX | 0G9756 | 0G9756 | 0G9756A |



CONTROL PANEL DETAIL

| ITEM | PART | QTY. | DESCRIPTION |
|------|-------------------------|------|-------------------------------|
| 49 | 0H0958 | 1 | ASSY GAS CAP SEALED - CHROME |
| 50 | 0H1326 | 1 | FILTER, FUEL |
| 51 | See FUEL SYSTEM TABLE | - | FUEL GAUGE |
| 52 | 0J0974 | 1 | VALVE FUEL SHUTOFF |
| 53 | See FUEL SYSTEM TABLE | - | FUEL TANK WELDMENT |
| 54 | 0E9507C | 4 | SCREW HHFC M8-1.25 X 20 W/M10 |
| 55 | 052618 | 2 | SCREW HHC M5-0.8 X 12 C8.8 |
| 56 | 0J4157A | 1 | WIRE ASSY,BATT NEG,GRN |
| 57 | 0H3535 | 2 | NUT FLANGE M5-0.8 NYLOCK |
| 58 | 0G9449 | 1 | BATTERY 12V10AH SEALED |
| 59 | 0J0694 | 1 | BRACKET BATTERY GP 5.5-7.5E |
| 60 | 0J4033 | 2 | SCREW HHFC M6-1.0 X 14 |
| 61 | 0J4157B | 1 | WIRE ASSY,BATT POS,RED |
| 62 | See ALTERNATOR TABLE | - | ASSY ROTOR W/FAN VN |
| 63 | See ALTERNATOR TABLE | - | ASSY STATOR VN |
| 64 | See ALTERNATOR TABLE | - | AVR |
| 65 | 0H0919 | 1 | ASSEMBLY,BRUSH VN |
| 66 | 070264 | 1 | WASHER FLAT M10 |
| 67 | 0J4968 | 4 | SCREW HHFC M5-0.8 X 16 |
| 68 | See ALTERNATOR TABLE | - | SCREW HHC M10-1.5 ROTOR |
| 69 | See ALTERNATOR TABLE | - | SCREW HHC M6-1.0 STATOR |
| 70 | 0J4967 | 2 | SCREW HHFC M5-0.8 X 12 |
| 71 | 0H3049 | 1 | COVER ALTERNATOR INLET 5-7KW |
| 72 | See CONTROL PANEL TABLE | - | SNAP BUSHING .75 OPEN |
| 73 | 0G8758 | 1 | OUTLET 30A 120/250V SPCGR |
| 74 | See CONTROL PANEL TABLE | - | CB 0030A 2P 240V C AA2 QT |
| 75 | 0G9391 | 1 | COVER,30A 120/240V |
| 76 | 0G9392 | 2 | COVER, 20A 120V GFCI/DUPLEX |
| 77 | 0G8321 | 1 | HOUR METER W/ALERTS AC/DC |
| 78 | See CONTROL PANEL TABLE | 1 | FACE PLATE GP PORTABLE |
| 79 | 0H0265C | 2 | CB 20A 1P 120V CUL/CSA JOEMEX |
| 80 | 0D4968 | 2 | OUTLET 20A 120V DPLX 6342BK |
| 81 | See CONTROL PANEL TABLE | - | RECPTACLE PANEL STORM-GEN |
| 82 | 0J4959 | 1 | CHARGING JACK |
| 83 | 0J0251A | 1 | SW RUN-STOP HONEYWELL |
| 84 | 0H7921 | 1 | ASSEMBLY ROV |
| 85 | 0J2921 | 1 | HOSE FORMED ROV-AIRBOX GP EPA |