

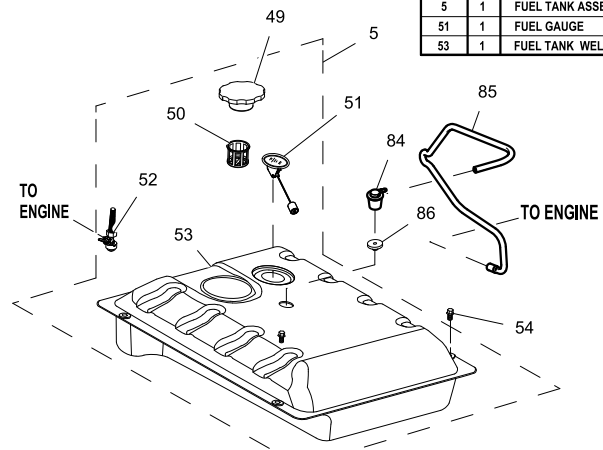
ITEM	PART	QTY.	DESCRIPTION
1	0J7395	1	ASSY HANDLE WITH TABS GP
2	0H9759	1	HANDLE GRIP GP
3	0J6374	1	SNAP BUTTON SINGLE END W/HOLE
4	0J7349	1	BUMPER HANDLE GP
5	SEE SHEET 2	-	FUEL TANK ASSEMBLY GP
6	0H1411B	4	RUBBER MOUNT,10.3 ID X 11 HGT
7	0H1610A	4	INSERT, ANTI-CRUSH FOR TANKS
8	0H1779	1	SCREW,HHFC M8-1.25 X 45
9	0G0919	1	SCREW HHFC M6-1 X 12 G8.8
10	0E9507A	4	SCREW HHFC M8-1.25 X 14 W/M10
11	0H1782	7	CAP NUT M8-1.25 BLACK ZINC
12	048031B	2	CLAMP HOSE BAND SPRING .38
13	0H0204	2	AXLE PIN, 1/2"X 4", 3/4" HEAD
14	0G8651	2	WHEEL, INCH 9.5 DIA, PLASTIC
15	0G9757C	1	FUEL HOSE 4 ID X 8.5OD X 165MM
16	SEE TABLE 1	-	ENGINE
17	045770	1	SCREW HHC M5-0.8 X 10 C8.8
18	0J6460	1	SCROLL ALTERNATOR GP
19	SEE SHEET 2	-	CONTROL PANEL ASSEMBLY
20	0J6361	1	PANEL RAIL C/PNL SIDE GP
21	0G8382	4	SCREW PPPH #8-16 X .66" BZC
22	0H1780	6	CURVED HEAD M8-1.25 X 41MM LNG
23	0J4029	4	NUT HEX FL WHIZ M10-1.25
24	0J6242	4	VIB MNT 25.4 X 36.4 X M8/M10
25	067989	8	NUT HEX FL WHIZ M8-1.25
26	0J6373	1	FRAME FOOT GP5-7.5KW
27	0E9470	2	SCREW HHFC M8-1.25 X 16 G8.8
28	0H1829	2	VIB MNT 38.1 X 25.4 X M8-1.25
29	076340	1	SCREW HHFC M6-1.0 X 16 G8.8
30	0742600197	1	GND WIRE PORT BRG CARR-FRAME
31	0A1658	1	WASHER LOCK SPECIAL 1/4"
32	0J4534	1	LUG, SOLDERLESS #2-#8
33	SEE TABLE 1	-	ASSEMBLY FRAME GP
34	045771	2	NUT HEX M8-1.25 G8 CLEAR ZINC
35	0G9028	2	GASKET, EXHAUST
36	072686	2	SCREW HHFC M8-1.25 X 30 G8.8
37	0J6396	1	MANIFOLD EXHAUST GP 2011
38	0J6361A	1	PANEL RAIL BACK GP
39	SEE TABLE 1	-	ASSY MUFFLER GP
40	0G8542	1	BRACKET, MUFFLER
41	SEE SHEET 2	-	ALTERNATOR, BRUSHED
42	022304	2	WASHER FLAT 1/2 ZINC
43	0D4999	2	PIN COTTER 1/8 X 1-1/4 ZN PLT

TABLE 1					
ITEM	QTY.	DESCRIPTION	5500W PS SEE NOTE 2	5500W PS SEE NOTE 3	7500W ES
16	1	ENGINE W/O MUFFLER	0J5863A	0J5863A	0J5862
33	1	FRAME	0J6822	0J6822	0J6358
39	1	MUFFLER	0J6397A	0J6397B	0J6397

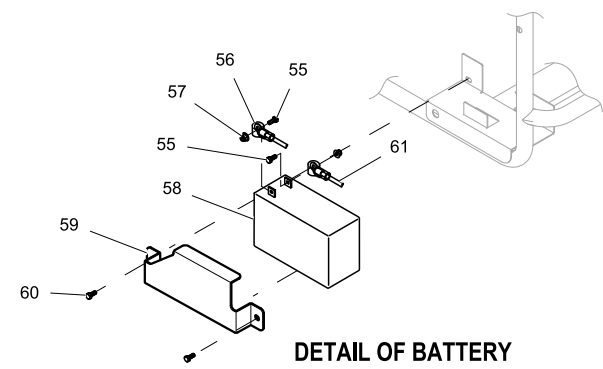
NOTES:

1. PS = PULL START
ES = ELECTRIC START
2. USE THIS COLUMN UP TO SERIAL NUMBER 6624010E
3. USE THIS COLUMN AFTER SERIAL NUMBER 6624010E

FUEL SYSTEM TABLE				
ITEM	QTY.	DESCRIPTION	5500W PS	7500W ES
5	1	FUEL TANK ASSEMBLY GP	0H7510A	0H7591A
51	1	FUEL GAUGE	0H9005	0H9005A
53	1	FUEL TANK WELDMENT	0H7509A	0H7590A



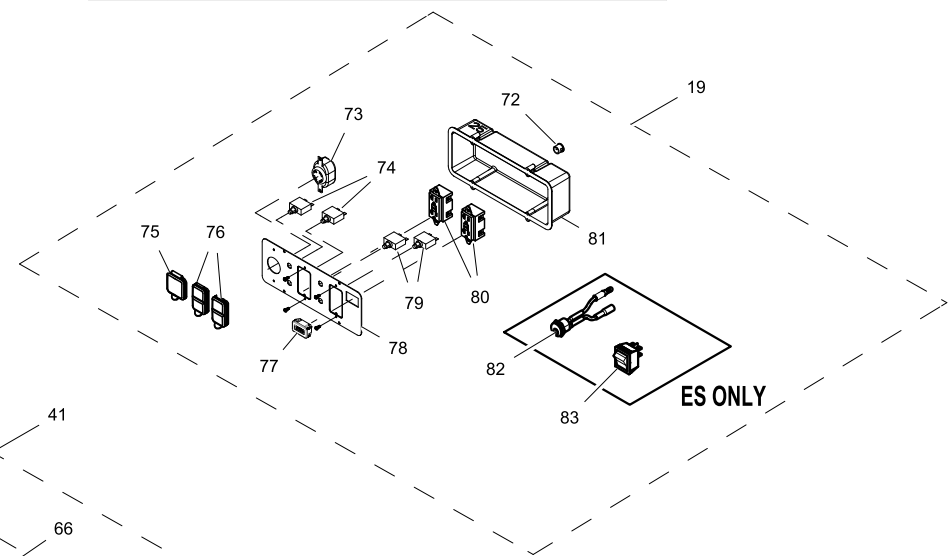
FUEL SYSTEM DETAIL



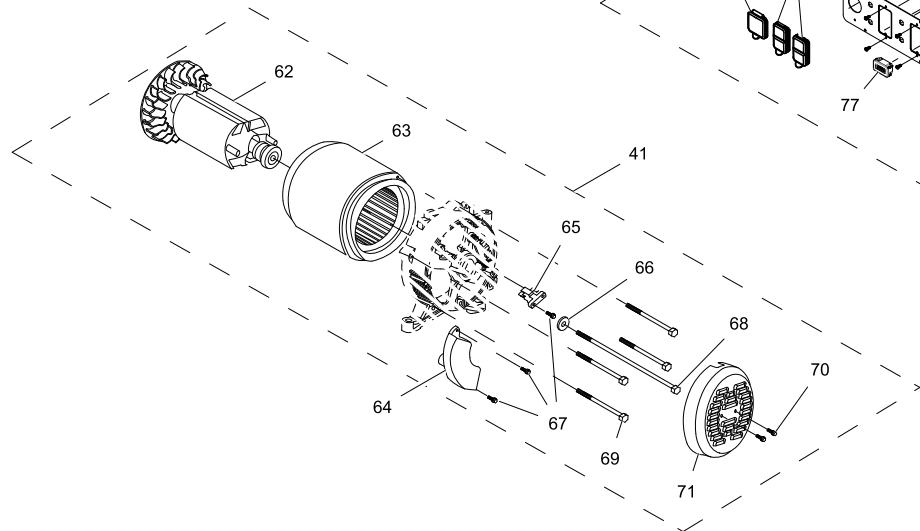
DETAIL OF BATTERY

CONTROL PANEL TABLE				
ITEM	QTY.	DESCRIPTION	5500W PS	7500W ES
19	1	CONTROL PANEL	0J6378A	0J6378
72	-	SNAP BUSHING.75 OPEN	0A5489 (QTY: 1)	0A5489 (QTY: 2)
74	2	BREAKER 1P 120V CUL/CSA JOEMEX	0H0265D	0H0265E
78	1	FACE PLATE	0J6380A	0J6380
81	1	BOX	0G9756	0G9756A

ALTERNATOR TABLE					
ITEM	QTY.	DESCRIPTION	5500W	5500W	7500W ES
			SEE NOTE 1	SEE NOTE 2	
41	1	ASSY ALTERNATOR	0J4062	0G9924	0H9209
62	1	ASSY ROTOR W/FAN	0J4970	0G9924R	0J4972
63	1	ASSY STATOR	0J4974	0G9924S	0J4976
64	1	AVR	0H2579B	0G99240101	0H2579B
65	1	ASSEMBLY, BRUSH	0H0919	0G99240102	0H0919
66	1	WASHER FLAT M10	070264	070264	070264
67	4	SCREW HHFC M5-0.8 X 16	0J4968	0J4968	0J4968
68	1	SCREW HHC M10-1.5 ROTOR	0J4982	0G99240103	0J4983
69	4	SCREW HHC M6-1.0 STATOR	0J4979	0G98990105	0J4980
70	2	SCREW HHFC M5-0.8 X 12	0J4967	0J4967	0J4967
71	1	COVER ALTERNATOR INLET 5-7KW	0H3049	0H3049	0H3049



CONTROL PANEL DETAIL



ALTERNATOR DETAIL

NOTES:
 1. USE THIS COLUMN UP TO SERIAL NUMBER 6624010E
 2. USE THIS COLUMN AFTER SERIAL NUMBER 6624010E

ITEM	PART	QTY.	DESCRIPTION
49	0H0958	1	ASSY GAS CAP SEALED - CHROME
50	0H1326	1	FILTER, FUEL
51	See FUEL SYSTEM TABLE	-	FUEL GAUGE
52	0J0974	1	VALVE FUEL SHUTOFF
53	See FUEL SYSTEM TABLE	-	FUEL TANK WELDMENT
54	0E9507C	4	SCREW HHFC M8-1.25 X 20 W/M10
55	052618	2	SCREW HHC M5-0.8 X 12 C8.8
56	0J6413A	1	WIRE ASSY BATT NEG GRN GP
57	0H3535	2	NUT FLANGE M5-0.8 NYLOCK
58	0G9449	1	BATTERY 12V10AH SEALED
59	0J6418	1	BRACKET BATTERY HOLD DOWN
60	0G0926	2	SCREW HHFCS M6-1 X 16 G8.8
61	0J6413B	1	WIRE ASSY BATT POS RED GP
62	See ALTERNATOR TABLE	-	ASSY ROTOR W/FAN
63	See ALTERNATOR TABLE	-	ASSY STATOR
64	See ALTERNATOR TABLE	-	AVR
65	See ALTERNATOR TABLE	-	ASSEMBLY,BRUSH
66	See ALTERNATOR TABLE	-	WASHER FLAT M10
67	See ALTERNATOR TABLE	-	SCREW HHFC M5-0.8 X 16
68	See ALTERNATOR TABLE	-	SCREW HHC M10-1.5 ROTOR
69	See ALTERNATOR TABLE	-	SCREW HHC M6-1.0 STATOR
70	See ALTERNATOR TABLE	-	SCREW HHFC M5-0.8 X 12
71	See ALTERNATOR TABLE	-	COVER ALTERNATOR INLET 5-7KW
72	See CONTROL PANEL TABLE	-	SNAP BUSHING .75 OPEN
73	0G8758	1	OUTLET 30A 120/250V SPCGR
74	See CONTROL PANEL TABLE	-	BREAKER 1P 120V CUL/CSA JOEMEX
75	0G9391	1	COVER,30A 120/240V
76	0G9392	2	COVER, 20A 120V GFCI/DUPLEX
77	0G8321	1	HOUR METER W/ALERTS AC/DC
78	See CONTROL PANEL TABLE	1	FACE PLATE GP PORTABLE
79	0H0265C	2	CB 20A 1P 120V CUL/CSA JOEMEX
80	0D4968	2	OUTLET 20A 120V DPLX 6342BK
81	See CONTROL PANEL TABLE	-	RECPTACLE PANEL STORM-GEN
82	0J4959	1	ASSY 12VDC CHARGER INPUT GP
83	0J0251	1	SW START-RUN-STOP GP
84	0J7194	1	ROLL OVER VALVE
85	0J7461	1	HOSE FORMED EVAPORATIVE GP EPA
86	0J7193	1	GROMMET