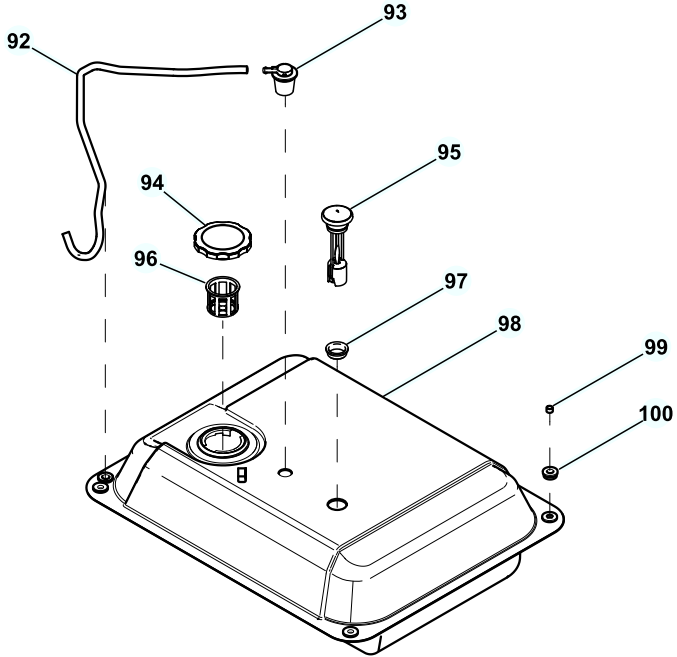
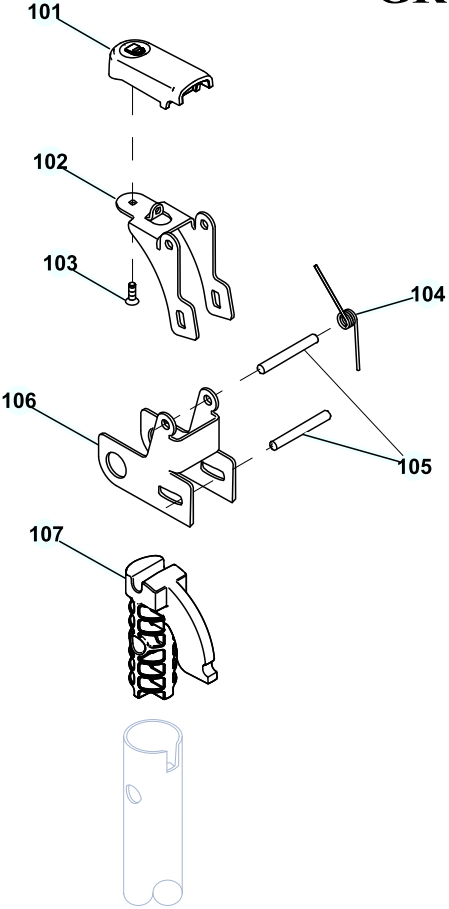


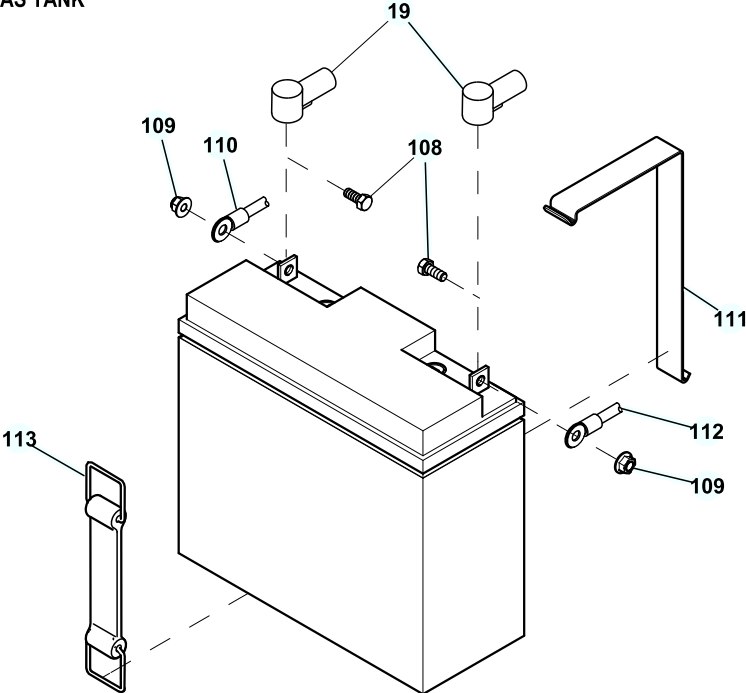
GROUP EV



DETAIL OF GAS TANK



DETAIL OF HANDLE LOCK



DETAIL OF BATTERY

EXPLODED VIEW: EV GENERATOR 530 PORTABLE XP

DRAWING #: 0J3246

GROUP EV

ITEM	PART#	QTY.	DESCRIPTION
PAGE 1			
1	0H8993	1	ASSY FUEL TANK 9 GAL XP
2	0G9029	4	SCREW TTH M8-1.25 X 20
3	10000024426	1	PANEL SIDE XP
4	0G4933	16	SCREW SWT 1/4-20 X 5/8 W/W
5	052677	2	WASHER NYLON .50 X .87 X .06
6	0H7950	2	BUSHING,FLANGED HEAD
7	0K8086	2	COTTER HAIRPIN .078" X 1.188"
8	0H7955	1	ASSY LIFTING BEAM XP6.5-8
9	0H8474	1	ASSY ENGINE 530 PORT
10	0H6144	1	TUBE, HEAT RISER 38MM ID
11	0E9369	2	GASKET, EXHAUST GT530
12	0H4563	1	MANIFOLD GTH530P
13	0G3730	6	SCREW SHC M8-1.25 X 20 SEMS
14	0H8159A	2	SCREW SHC SEMS FLAT M8-1.25X20
15	0C4138	1	GASKET,EXHAUST PORT
16	0H6623	1	ASSY MUFFLER GTH530
17	0H5228	1	MUFFLER MOUNTING BRACKET
18	059637	2	SCREW HHTT 3/8-16 X 3/4 CZ
19	075763A	3	BOOT, BATTERY CABLE
20	066311	1	NUT HEX JAM M8 X 1.25 G8 ZYC
21	070006	1	WASHER LOCK M8 SS
22	058653	1	WASHER FLAT M8
23	0H1113	4	VIB MNT 1.38X1.0X5/16-18 MXM
24	0H6559	12	NUT HEX FLANGE WHIZ 5/16-18
25	0G9093	2	SCREW SHSH M8-1.25 X 40
26	10000024423	1	CORNER HANDLE SUPT-LFT OUTER
27	10000024398	1	CORNER HANDLE SUPT-LFT INNER
28	045771	2	NUT HEX M8-1.25 G8 CLEAR ZINC
29	0G8584	4	BRACKET END PANEL
30	0H8013	8	SCREW HHFC M8-1.25X60 C8.8 ZP
31	0E8388	14	NUT HEX FL WHIZ M6-1.0
32	10000039503	1	BRKT HOLD DOWN BATT CHRGR
33	0K8803B	1	BATTERY CHARGER 12VDC 2.0A
34	10000024427	1	WELD END PANEL XP
35	0G8589	1	HANDLE FOLDING 2008 XP-SERIES
36	0H8644	2	GRIP HANDLE FOAM
37	10000024403	1	CORNER HANDLE SUPT-RT OUTER
38	10000024309	1	CORNER HANDLE SUPT-RT INNER
39	10000024377	1	WELD PANEL SIDE C-PNL XP
40	0H9126	1	ASSY 12VDC POWER JACK XP
41	0H9737	1	ASSY C-PNL XP10KW
42	0C5786	1	VALVE, FUEL SHUT OFF
43	0H8205	1	MTG FUEL VALVE RETAINER
44	048031G	4	CLAMP HOSE BAND .41
45	0H3455E	1	FUEL HOSE 160 MM LONG
46	0H1663	1	BATTERY 12V18AH SEALED
47	0K8152	2	CURVED HEAD CLEVIS PIN
48	0K8668	1	WELD CRADLE ENGINE END
49	0H1779	4	SCREW HHFC M8-1.25 X 45
50	0K8523	2	FOOT ASSY XP
51	0H5421	2	VIB MNT .63 X .63 5/16-18
52	0J3694	4	SCREW HHFC M6-1X50 8.8 W/PATCH
53	0L2176	2	SCREW HHSD PREMIUM 1/4-14X1 BZ
54	0G3110	1	SCREW HHTT M6-1.0 X 20 ZINC
55	055414	1	LUG SLDLSS #2-#8 X 17/64 CU
56	0H6167A	1	WIRE ASSY,PNL GND/FR GND,XG10
57	0742600174	1	GRND WIRE PORT BRG CARR-FRAME
58	0A1658	1	WASHER LOCK SPECIAL 1/4"
59	0J0087	2	AXLE MNT
60	022247	4	WASHER FLAT 5/8 ZINC
61	0K8672	1	AXLE 15.87 DIA X 684 CLR ZINC
62	0H3443	2	COTTER HAIRPIN 2.56 X .80
63	0K8150	2	10" WHEEL OFFSET HUB
64	0H8840	1	WELD CRADLE ALT END

EXPLODED VIEW: EV GENERATOR 530 PORTABLE XP

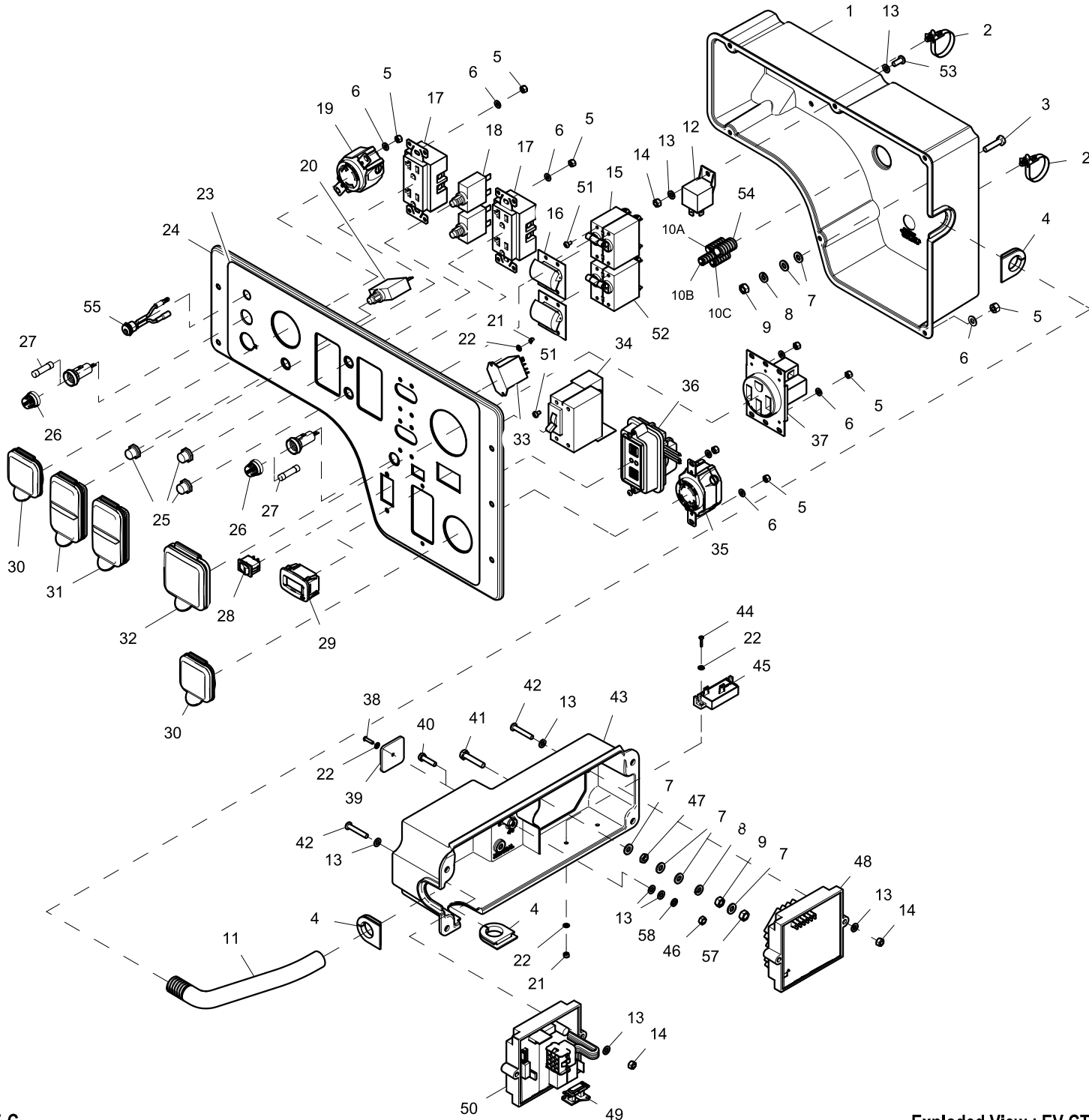
DRAWING #: 0J3246

GROUP EV

ITEM	PART#	QTY.	DESCRIPTION
65	10000024394	2	CORNER SUPPORT - OUTER XP PORT
66	10000024421	2	CORNER SUPPORT - INNER XP PORT
67	10000024319	1	WELD END PANEL XP
68	087712	4	SCREW HHC M8-1.25 X 110 C8.8
69	022129	4	WASHER LOCK M8-5/16
70	0H5752	1	SCREW IHHC 3/8-24 X 10.75 G8
71	022237	1	WASHER LOCK 3/8
72	022131	1	WASHER FLAT 3/8-M10 ZINC
73	066849	2	SCREW HHTT M5-0.8 X 16
74	0H4959B	1	ADAPTOR HOUSING, W/O TOP SLOTS
75	030205	4	SCREW FHSC 3/8-16 X 3/4 W/LOCK
76	0H5064C	1	RTR-102-10.0AD1 CHI XG CANLESS
77	0H5065C	1	STR ASSY 10KW 10" PORT W/OUT FAN
78	0H4960	1	BEARING CARRIER, 10IN ALT
79	090388	1	SCREW HHTT M6-1.0 X 12 ZINC
80	066386	1	ASSEMBLY, BRUSH HOLDER
81	0G5206A	1	GROMMET WIRE SLEEVE
82	0H4965	1	END COVER, 10IN ALTERNATOR
83	023897	4	WASHER FLAT #10 ZINC
84	022152	4	WASHER LOCK #10
85	020911	4	SCREW PPHM M5-0.8 X 30 ZINC
86	082025	3	NUT HEX LOCK M5-0.8 NYINS ZINC
87	0J0772	2	CLIP SNAP-IN WIRE MANAGEMENT
88	051713	2	WASHER FLAT M5
89	049811	2	WASHER FLAT M6
90	0B2236	2	NUT HEX LOCK M6-1 NY INS
91	0J9125	4	NUT HEX FL WHIZ M8-1.25

PAGE 2

92	0H3455G	1	FUEL HOSE 365MM LONG
93	0H1142	1	ASSY, ROLL OVER SLANT VALVE
94	0H0958A	1	ASSY GAS CAP SEALED - BLACK
95	0H9481	1	FUEL GAGE ROUND MULTI TWIST
96	0H1326	1	FILTER, FUEL
97	0H7521	1	GROMMET FUEL GAUGE ROUND
98	0H8982	1	WELDMENT FUEL TNK 9 GAL XP RAW
99	0H1610	4	INSERT, ANTI-CRUSH FOR TANKS
100	0H1411	4	RUBBER MOUNT, 10.8 ID X 9 TALL
101	0G9039	2	BUTTON LATCH RELEASE
102	0G9038	2	LEVER, LATCH RELEASE
103	0G9096	2	SCREW PFHP #8-16 X 1/2
104	0G9040	2	SPRING TORSION, LATCH RELEASE
105	0G9041	4	PIVOT PIN, LATCH RELEASE
106	0G9037	2	BRACKET, LATCH
107	0G9036	2	PLUG, FOLD DOWN HANDLE
108	045770	2	SCREW HHC M5-0.8 X 10 C8.8
109	0E6423	2	NUT HEX FL WHIZ M5-0.8
110	0H6167F	1	WIRE ASSY,BATT NEG/ENG BLK,XP
111	0H9536	1	BRKT BTRY TRAY XP10 RAW
112	0H6167G	1	WIRE ASSY,BATT POS/STARTER,XG
113	0H7945	1	ASSEMBLY, BATTERY STRAP



GROUP EV

ITEM	PART	QTY.	DESCRIPTION	ITEM	PART	QTY.	DESCRIPTION
1	0H9394	1	CONTROL BOX XP 10KW PRIMARY	30	0G9391	2	COVER,30A 120/240V
2	0J7549	2	TIE WRAP PUSH MNT QUICK REL	31	0G9392	2	COVER, 20A 120V GFCI/DUPLEX
3	045757	2	SCREW HHC M6-1.0 X 25 C8.8	32	0H3814	1	COVER 50A 120/240V
4	0G5206B	3	GROMMET SLEEVE W/O MEMBRANE	33	0E3927	1	RELAY, DPDT NO 10A 120VAC COIL
5	0E6480	18	NUT HEX LOCK M4-0.7 NY INS	34	0G5644C	1	CB 2P 42A W/SHUNT TRIP
6	043180	18	WASHER FLAT M4	35	0G8758	1	OUTLET 30A 120/250V SPCGR
7	049811	12	WASHER FLAT M6	36	0J2353	1	GFCI SENSING MODULE ASSEMBLY
8	070005	4	WASHER LOCK M6 SS	37	0D4969	1	OUTLET 50A 125/250V 4W 1258
9	049813	4	NUT HEX M6-1.0 G8 CLEAR ZINC	38	084543A	1	SCREW PPPH M3 X 12
10A	077043H	1	CONDUIT FLEX .25" ID X 6.75"	39	0H9435	1	STUD COVER
10B	077043H	1	CONDUIT FLEX .25" ID X 29.5"	40	052619	2	SCREW HHC M5-0.8 X 20 G8.8
10C	077043H	1	CONDUIT FLEX .25" ID X 16"	41	0G6131	2	SCREW HHC M6-1.00 X 30 C8.8 FT
11	077043D	1	CONDUIT FLEX .625" ID X 8.5"	42	020911	4	SCREW PPHM M5-0.8 X 30 ZINC
12	052844	1	RELAY PNL 12VDC SPDT 30A	43	0H9433	1	SECONDARY ELEC BOX XP10
13	051713	14	WASHER FLAT M5	44	090987	2	SCREW PPHM M3-0.5 X 12
14	082025	5	NUT HEX LOCK M5-0.8 NYINS ZINC	45	048512	1	CB 5A 1P AUTO ETA 46-500-P
15	0G9023L	1	CB 0042A 2P 240V C AA2 QT	46	051716	2	NUT HEX M5-0.8 G8 CLEAR ZINC
16	0C7340	2	BOOT, CIRCUIT BREAKER	47	066310	2	NUT HEX JAM M6 X 1
17	0D4968	2	OUTLET 20A 120V DPLX 6342BK	48	0F9719	1	ASSY PCB VREG AIR COOLED 2006
18	0H0265C	2	CB 20A 1P 120V CUL/CSA JOEMEX	49	0D4804A	1	XFMR IDLE CURRENT HSB
19	068868	1	OUTLET 30A 120V RECEPT	50	0J1010	1	ASSY CONTROLLER PCB XP10KW
20	0H0265E	1	CB 30A 1P 120V CUL/CSA JOEMEX	51	036900	10	SCREW PPHM #6-32 X 1/4
21	0D9784	4	NUT HEX LOCK M3-0.5 NY INS	52	0G9023C	1	CB 0030A 2P 240V C AA2 QT
22	052777	7	WASHER FLAT M3	53	091526	1	SCREW PPHM M5-0.8 X 12 ZNC
23	0H9032	1	OVERLAY CONTROL PANEL XP10	54	077043A	1	CONDUIT FLEX .38" ID X 5"
24	0H9027	1	ASSY COVER C-PNL XP10	55	0H9126	1	ASSY 12VDC POWER JACK XP
25	0J3223	3	BOOT/NUT,SWITCH COVER	56	099727	1	FUSE 5A X AGC5 HLDLR32300
26	0H6856	2	FUSE HOLDER 10A/250VAC R3-13	57	0B2236	2	NUT HEX LOCK M6-1 NY INS
27	067682D	1	FUSE SLOBLO 1.5A GLASS	58	049226	2	WASHER LOCK M5
28	087968	1	SWITCH, ROCKER -/0				
29	0H8214	1	HOUR METER W/ALERTS AC/DC				