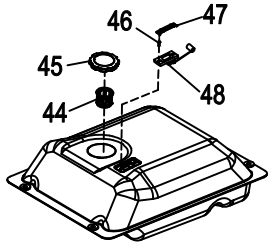
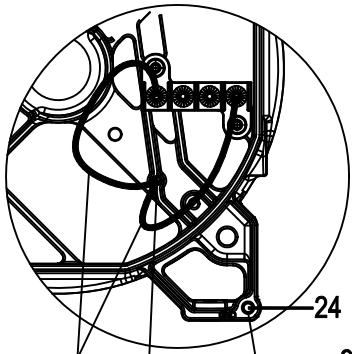


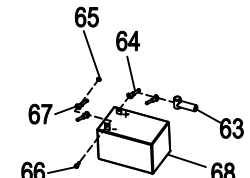
GROUP



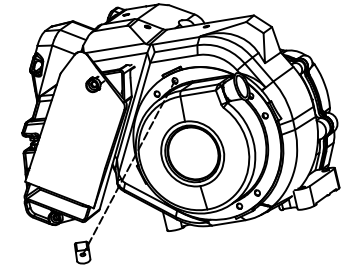
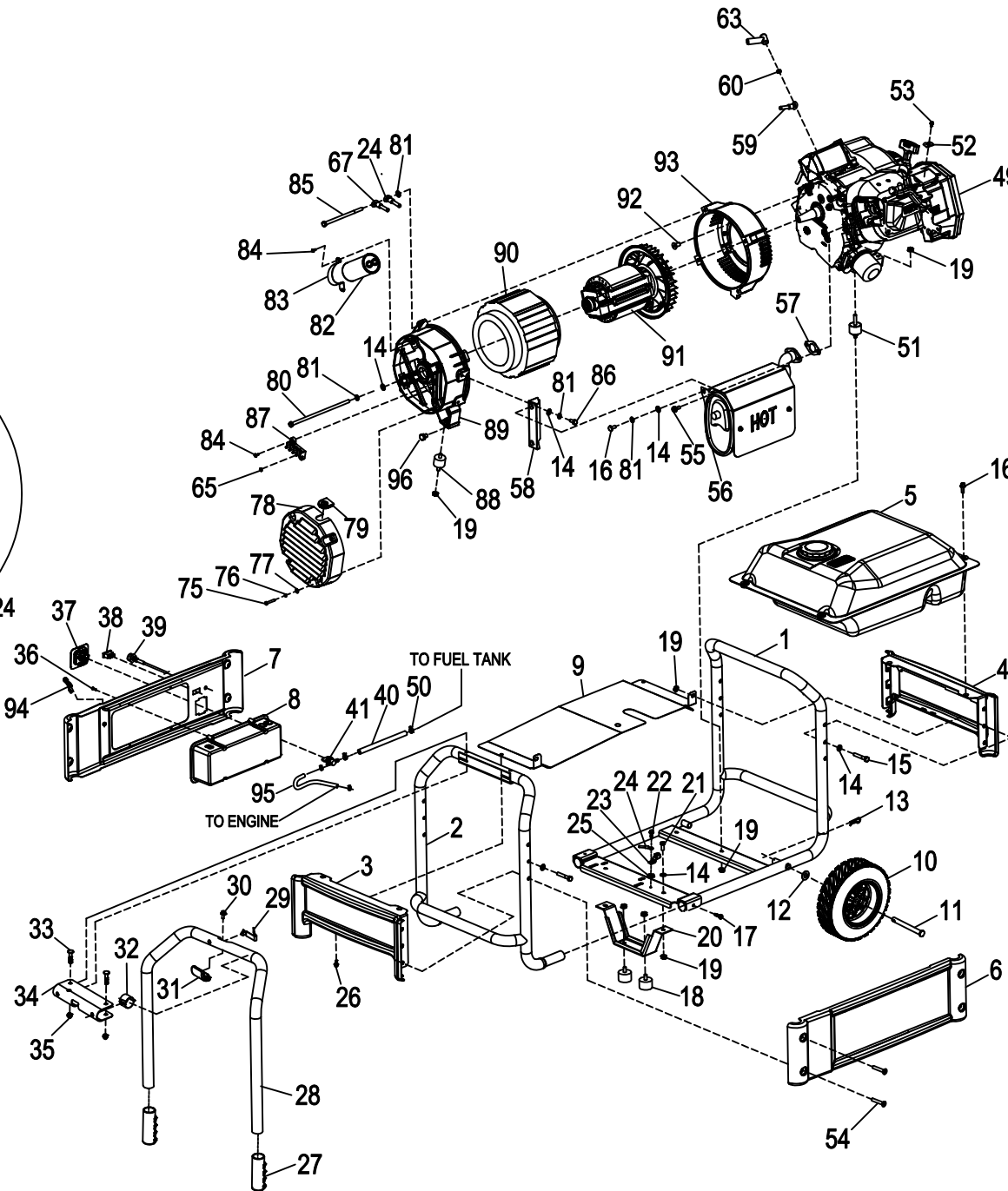
DETAIL OF GAS TANK



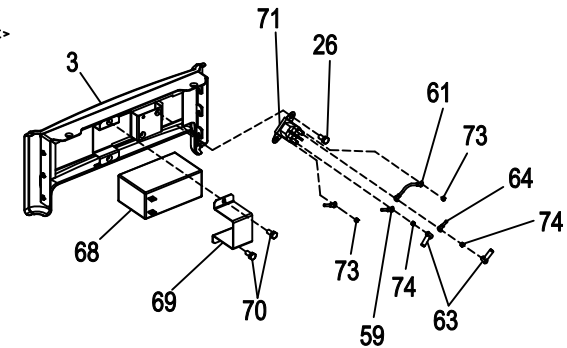
JUMPER WIRE DETAIL ON THE BEARING CARRIER



DETAIL OF BATTERY



ROUTE HOSE THROUGH CLIP
DETAIL OF FRONT OF ENGINE



DETAIL OF BACK PANEL

EXPLODED VIEW:
GENERATOR PARTS
DRAWING #: 0H5296

EXPLODED VIEW: GENERATOR PARTS

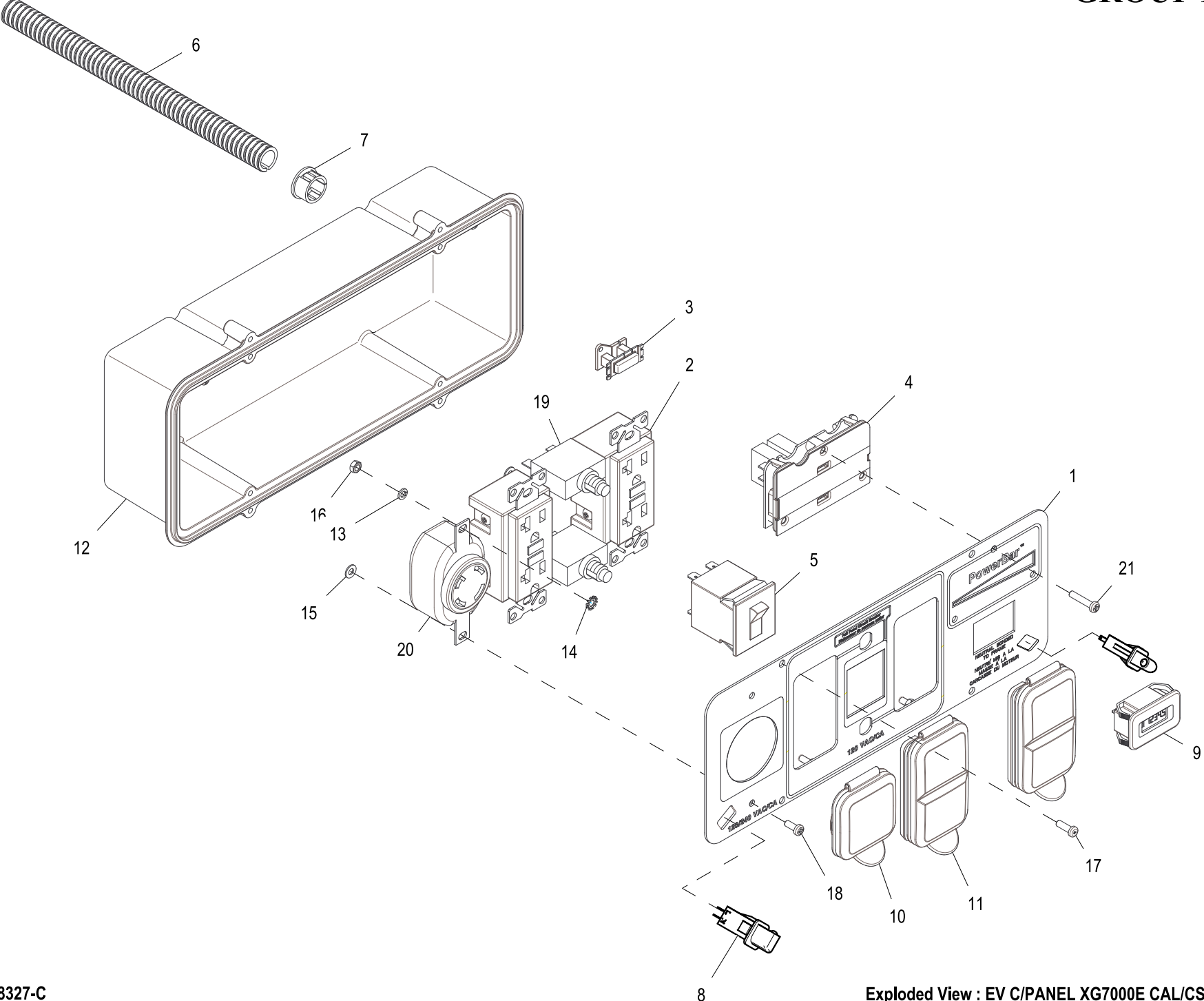
DRAWING #: 0H5296

GROUP

APPLICABLE TO: 005847-0

ITEM	PART #	QTY.	DESCRIPTION
1	0H2385	1	FRAME BASE
2	0H2391	1	FRAME BACK
3	0H2392C	1	PANEL, ALT END
4	0H2392A	1	PANEL, ENG END
5	0H2564	1	TANK FUEL, 9 GAL
6	0H2394B	1	PANEL, SIDE
7	0H2394A	1	PANEL, C/PNL SIDE
8	0H5285C	1	30A XG RECEPTACLE PANEL
9	0H6371	1	HEAT SHIELD
10	0H4420	2	XG RALLYE WHEEL
11	0H1129	2	AXLE PIN
12	087171	2	WASHER FLAT 1/2 SS
13	0H3443	2	COTTER HAIRPIN
14	022145	11	WASHER FLAT 5/16M8
15	051731	4	SCREW HHC M8-1.25 X 5.0
16	0G5445	6	SCREW HHTT M8-1.2 X 20
17	0H5030	2	SCREW HHSD 1/2 X 7/8 EZ
18	0H3590	2	VIBE MOUNT
19	067989	12	NUT HEX FL WHIZ M8-1.25
20	0H0720	1	FOOT
21	039253	2	SCREW HHC M8-1.25 X 2.0
22	0G2018	1	SCREW HHSD 1/4-20 X 7/8
23	055414	1	LUGSLDLSS #2-#8 X 17.64 CU
24	074200186	1	WIRE ASSY GND ALT TO BASE
25	0A1658	1	WASHER LOCK SPECIAL 1/4"
26	090388	4	SCREW HHTT M6-1.0 X 12
27	0G8465	2	HANDLE GRPS
28	0H2616	1	TUBE, HANDLE
29	0G5442	1	SNAP BUTTON
30	0G0926	1	SCREW HHFCS M6-1 X 16
31	0H2297	1	HANDLE STOP XG
32	0H2205	2	BEARING, HANDLE, XG
33	0H0031	2	CHB CUSTOM 5/16 18 X 46
34	0H2206B	1	BRACKET, HANDLE
35	0G8486	2	CAP NUT 5/16-18
36	0G8382	4	SCREW PPH #8-16 X 0.66
37	0H2142	1	FUEL, VALVE HOLDER
38	0G9549	1	SWITCH, START-RUN-STOP
39	0G9560A	1	CABLE, CHOKE
40	0H3455e	1	FUEL HOSE, 160MM LONG
41	0H3419	1	FUEL, VALVE
42	0H1411	4	RUBBER MOUNT
43	0H1610	4	INSERT, ANTI-CRUSH
44	0H1326	1	STRAINER, FUEL CAP
45	0H1325A	1	FUEL CAP, CHROME
46	0H1357	2	SCREW PPH M5-0.8 X 12
47	0H1359	1	PLATE, FUEL GAGE
48	0H1345	1	FUEL GAGE, 153mm LONG ARM
49	0H3509	1	XG8000E 410 ENGINE
50	048031G	5	HOSE CLAMP
51	0H2043	2	VIBE MOUNT
52	0E4190	1	CLAMP, CABLE
53	0F5579	1	SCREW SHOULDER M5-0.8 X 20
54	0H3587	8	SCREW FHSC M8-1.25 X 55
55	0G3730	2	SCREW SHC M8-1.25 X 20 SEMS
56	0H3034	1	MUFFLER, ASSY, 410
57	090239	1	GASKET, EXHAUST
58	0H2856	1	BRACKET, MUFFLER
59	074200191	1	WIRE, SOL TO STARTER
60	0B2236	1	NUT HEX LOCK M6-1 NY INS
61	0H0228C	1	WIRE, SOL TO SOL

ITEM	PART #	QTY.	DESCRIPTION
62	0H4768B	2	WIRE ASSY JUMPER
63	0G6392	4	BOOT
64	0742600189	1	WIRE, BATTERY TO SOL
65	0H5355	6	NUT LOCK M5-0.8
66	052618	2	SCREW HHC M5-0.8 X 12
67	0742600193	1	WIRE, BATTERY TO ALT
68	0G9449	1	BATTERY
69	0H2764	1	BATTERY HOLD DOWN
70	092079	2	SCREW HHTT M6-1.0 X 25
71	086729	1	STARTER CONTACTOR
72	0G3111	1	SCREW HHTT M6-1.0 X 25
73	089338	2	NUT HEX LOCK #8-32
74	027529	2	NUT HEX LOCK 1/4-20
75	020911	4	SCREW PPH M50.8 X 30
76	022152	4	WASHER LOCK #10
77	023897	4	WASHER FLAT #10
78	0G5002A	1	COVER, ALTERNATOR
79	0G5206	1	GROMMET, WIRE SLEEVE
80	075431	1	SCREW HHC 5/16-24 X 8-1/2
81	022129	9	WASHER LOCK M8
82	0G5958	1	CAPACITOR CLAMP
83	0G5088	1	CAPACITOR CLAMP
84	0F4795	5	SCREW PPH M40.7 X 10
85	0G5148	4	SCREW HHC M8-1.25 X 140
86	0C3181	2	SCREW BHSC M8-1.25 X 20
87	0H8935	1	TERMINAL BLOCK
88	085652	2	VIBRATION MOUNT
89	0H1551	1	CARRIER, REAR BEARING
90	0H2734C	1	STATOR (8KW)
91	0G5211C	1	ROTOR (8KW)
92	030205	4	SCREW FHSC 3/8-16 X 3/4
93	0G2397	1	HOUSING, ENGINE ADAPTOR
94	0H0025	1	CHARGE JACK
95	0H5762	1	FUEL LINE, FOR MED
96	090388	1	SCREW, HHTT M6-1.0 X 12



ITEM	PART	QTY.	DESCRIPTION
1	SEE TABLE	1	ASSY RECEPTACLE PANEL
2	0D4966	2	OUTLET 20A 120V GFCI GF20BK
3	0D4804B	1	XFMR IDLE CURRENT
4	SEE TABLE	1	POWERBAR ASSY
5	0H5283B	1	CB 2P 30A 250W CSA M SERIES
6	077043B	1	CONDUIT FLEX .50"ID
7	0A5489	1	SNAP BUSHING.75 OPEN
8	0H6784	2	LED CONTROL PANEL SNAP-FIT XG
9	0G8321	1	HOUR METER W/ALERTS AC/DC
10	0G9391	1	COVER,30A 120/240V
11	0G9392	2	COVER, 20A 120V GFCI/DUPLEX
12	0G9756	1	RECPTACLE PANEL STORM-GEN
13	022264	6	WASHER LOCK #8-M4
14	026579	1	WASHER LOCKF EXT #8 STEEL
15	043180	6	WASHER FLAT M4
16	051715	9	NUT HEX M4-0.7 G8 YEL CHR
17	0G8382	4	SCREW PPPH #8-16 X .66" BZC
18	0G9060	2	SCREW PPHM M4-0.7 X 10 BZC
19	0H0265C	2	CB 20A 1P 120V CUL/CSA JOEMEX
20	0H2929	1	OUTLET 30A 120/250V SPCGR
21	0H3968	3	SCREW PPHM M4-0.7 X 20 BLK ZC
22	SEE TABLE	1	WIRE HARNESS (NOT SHOWN)

TABLE 1				
ITEM	QTY.	DESCRIPTION	7000W	8000W
1	1	ASSY RECEPTACLE PANEL	0H5280B	0H5280C
4	1	POWERBAR ASSY	0H3362C	0H3362D
22	1	WIRE HARNESS (NOT SHOWN)	0H5275	0H5276