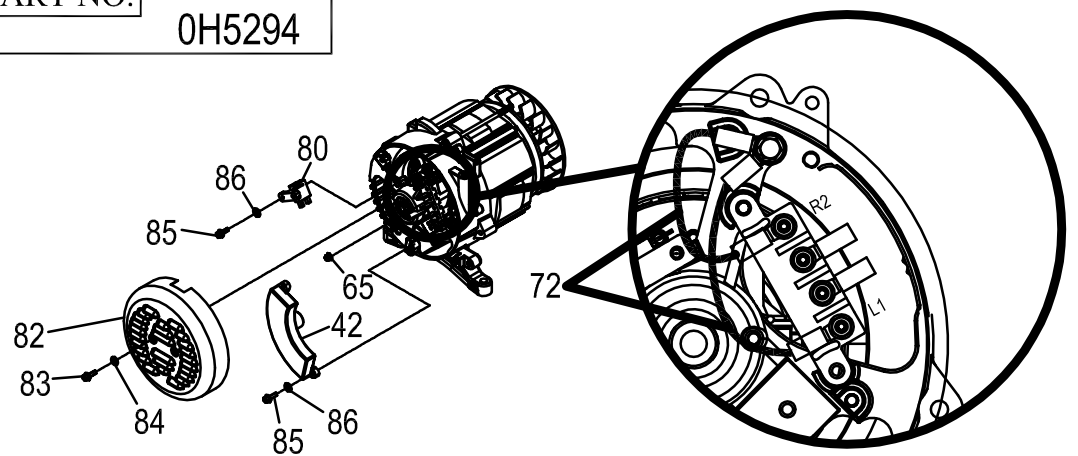
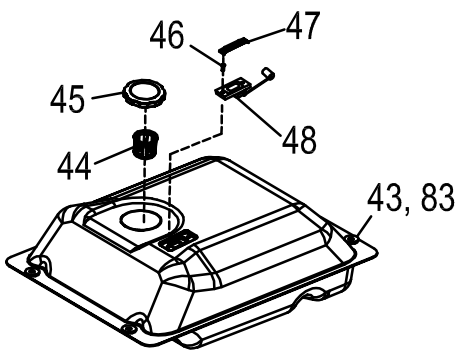


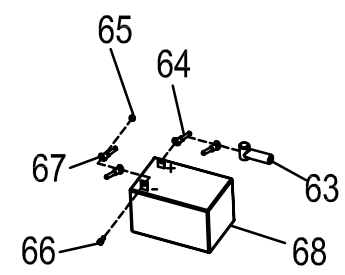
PART NO. 0H5294



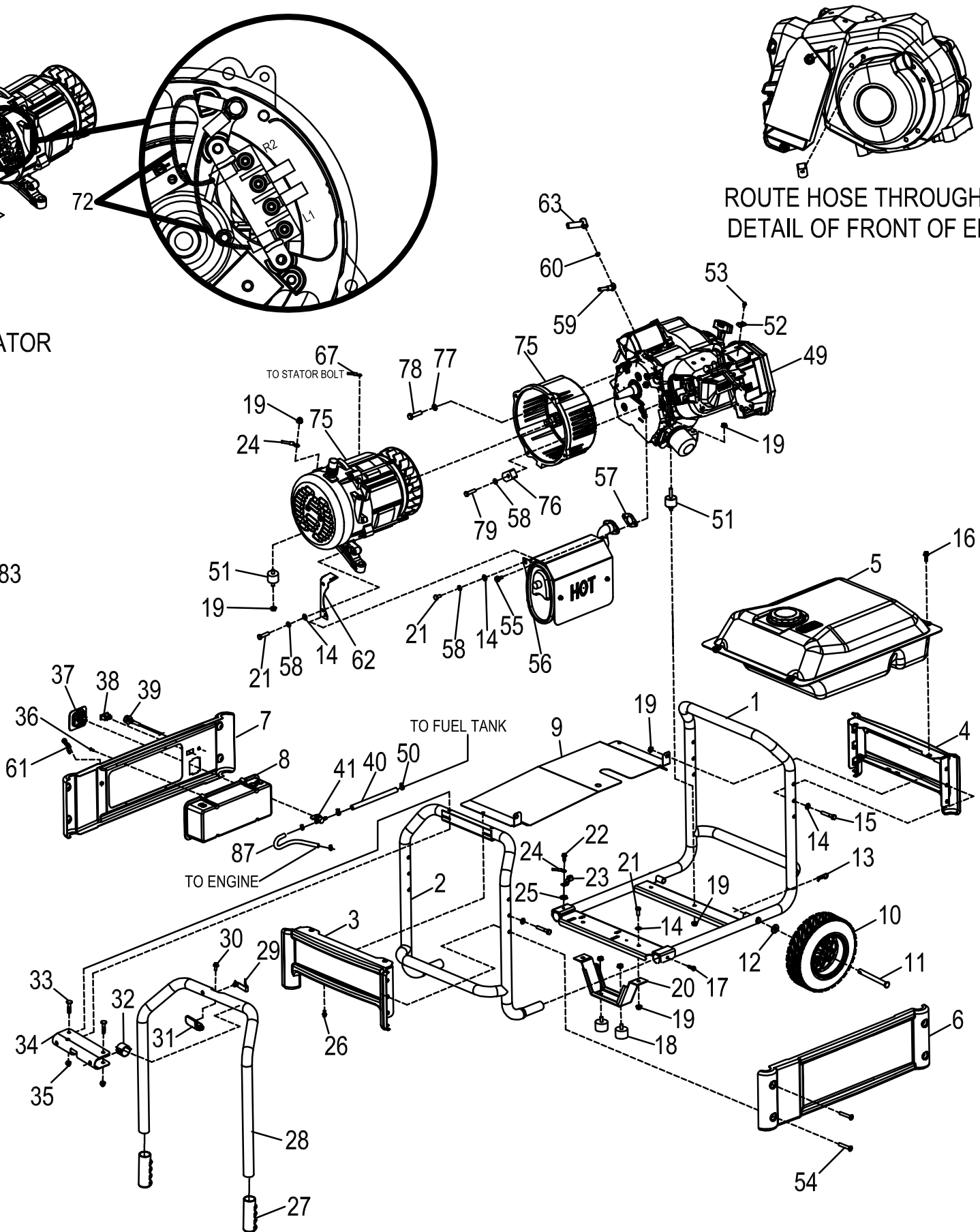
DETAIL OF ALTERNATOR



DETAIL OF GAS TANK

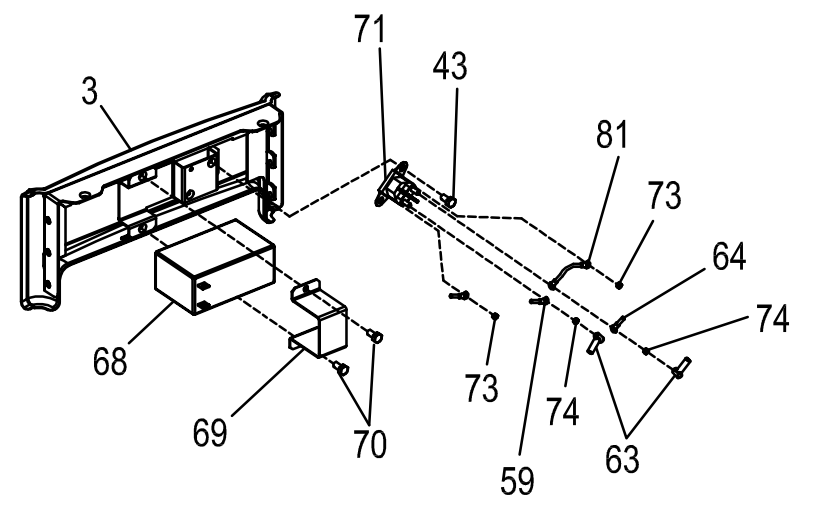


DETAIL OF BATTERY



ROUTE HOSE THROUGH CLIP
DETAIL OF FRONT OF ENGINE

ITEM	PART #	QTY.	DESCRIPTION	ITEM	PART #	QTY.	DESCRIPTION
1	0H2385	1	FRAME BASE	62	0G8542	1	BRACKET MUFFLER
2	0H2391	1	FRAME BACK	63	0G6382	4	BOOT
3	0H2392C	1	PANEL, ALT END	64	0742600189	1	WIRE, BATTERY TO SOL
4	0H2392A	1	PANEL, ENG END	65	0H3535	6	NUT LOCK M6-0.8
5	0H2564	1	TANK, FUEL, 9 GAL	66	052618	4	SCREW HHC M5-0.8 X 12
6	0H2394B	1	PANEL, SIDE	67	0742600193	1	WIRE, BATTERY TO ALT
7	0H2394A	1	PANEL, CPNL SIDE	68	0G9449	1	BATTERY
8	0H5285E	1	30A XG RECEPTACLE PANEL	69	0H2764	1	BATTERY HOLD DOWN
9	0H6371	1	HEAT SHIELD	70	092079	2	SCREW HHTT M6-1.0 X 25
10	0H4420	2	XGRALLYE WHEEL	71	086729	1	STARTER CONTACTOR
11	0H1129	2	AXLE PIN	72	0H4768A	2	WIRE ASSY JUMPER
12	087171	2	WASHER FLAT 1/2 SS	73	089338	2	NUT HEX LOCK #8-32
13	0H3443	2	COTTER HAIRPIN	74	027529	2	NUT HEX LOCK 1/4-20
14	022145	10	WASHER FLAT 5/16-M8	75	0H4863	1	7KW ALTERNATOR W/JUMPER WIRES
15	051731	4	SCREW HHC M8-1.25 X 50	76	0G9832	1	BRACKET, MOUNTING, ALT 7KW
16	0G5445	4	SCREW HHTT M8-1.2 X 20	77	046525	3	WASHER LOCK M10
17	0H5030	2	SCREW HHSD 1/2 X 7/8 BZ	78	022511	3	SCREW HHC 3/8-16 X 1-1/4
18	0H3590	2	WIRE MOUNT	79	030209	1	SCREW HHC 5/16-24 X 1-1/4 G
19	067989	14	NUT HEX FL WHIZ M8-1.25	80	0H0919	1	BRUSH HOLDER
20	0H0720	1	FOOT	81	0H0228C	1	WIRE, SOL TO SOL
21	039253	6	SCREW HHC M8-1.25 X 20	82	0H3049	1	END COVER
22	0G2018	1	SCREW HHSD 1/4-20 X 7/8	83	0H1810	4	INSERT, ANTI-CRUSH
23	055414	1	LUG SLDLSS #2-#8 X 17/64 CU	84	049226	2	LOCK WASHER, SH
24	0742600186	1	WIRE ASSY GND ALT TO BASE	85	049815	3	SCREW HHC M5-0.8 X 16
25	0A1658	1	WASHER LOCK SPECIAL 1/4	86	051713	3	FLAT WASHER, M5
26	090388	4	SCREW HHTT M6-1.0 X 1	87	0H5762	1	FUEL LINE, FORMED
27	0G8465	2	HANDLE GRIPS				
28	0H2616	1	TUBE, HANDLE				
29	0G5442	1	SNAP BUTTON				
30	0G0926	1	SCREW HHFC M6-1 X 16				
31	0H3854	1	HANDLE STOP XG				
32	0H2205	2	BEARING, HANDLE, XG				
33	0H0031	2	CHS CUSTOM 5/16 18 X 46				
34	0H2088	1	BRACKET, HANDLE				
35	0G8486	2	CAP NUT 5/16-18				
36	0G8382	4	SCREW PPHH #8-16 X 0.86				
37	0H2142	1	FUEL VALVE HOLDER				
38	0G9549	1	SWITCH, START-RUN-STOP				
39	0G9560A	1	CABLE, CHOKE				
40	0H3455E	1	FUEL HOSE, 160mm LONG				
41	0H3419	1	FUEL VALVE, FUEL SHUTOFF				
42	0H4284	1	AVR, 7KW ALTERNATOR				
43	0H1411	4	RUBBER MOUNT				
44	0H1326	1	STRAINER, FUEL CAP				
45	0H1325A	1	FUEL CAP, CHROME				
46	0H1357	2	SCREW PPHM M5-0.8 X 12				
47	0H1359	1	PLATE, FUEL GAGE				
48	0H1345	1	FUEL GAGE, 153mm LONG ARM				
49	0H4021	1	XG7000E 410 ENGINE				
50	048031G	4	HOSE CLAMP				
51	0H2043	4	VIBE MOUNT				
52	0E4190	1	CLAMP, CABLE				
53	0F5579	1	SCREW SHOULDER M5-0.8 X 20				
54	0H3587	8	SCREW FHSC M8-1.25 X 55 BZC				
55	0G3730	2	SCREW SHC M8-1.25 X 20 SEMS				
56	0H3033	1	MUFFLER, ASSY, 410				
57	090239	1	GASKET, EXHAUST				
58	022129	5	WASHER LOCK M8				
59	0742600191	1	WIRE, SOL TO STARTER				
60	0B2236	1	NUT HEX LOCK M6-1				
61	0H0025	1	CHARGE JACK				



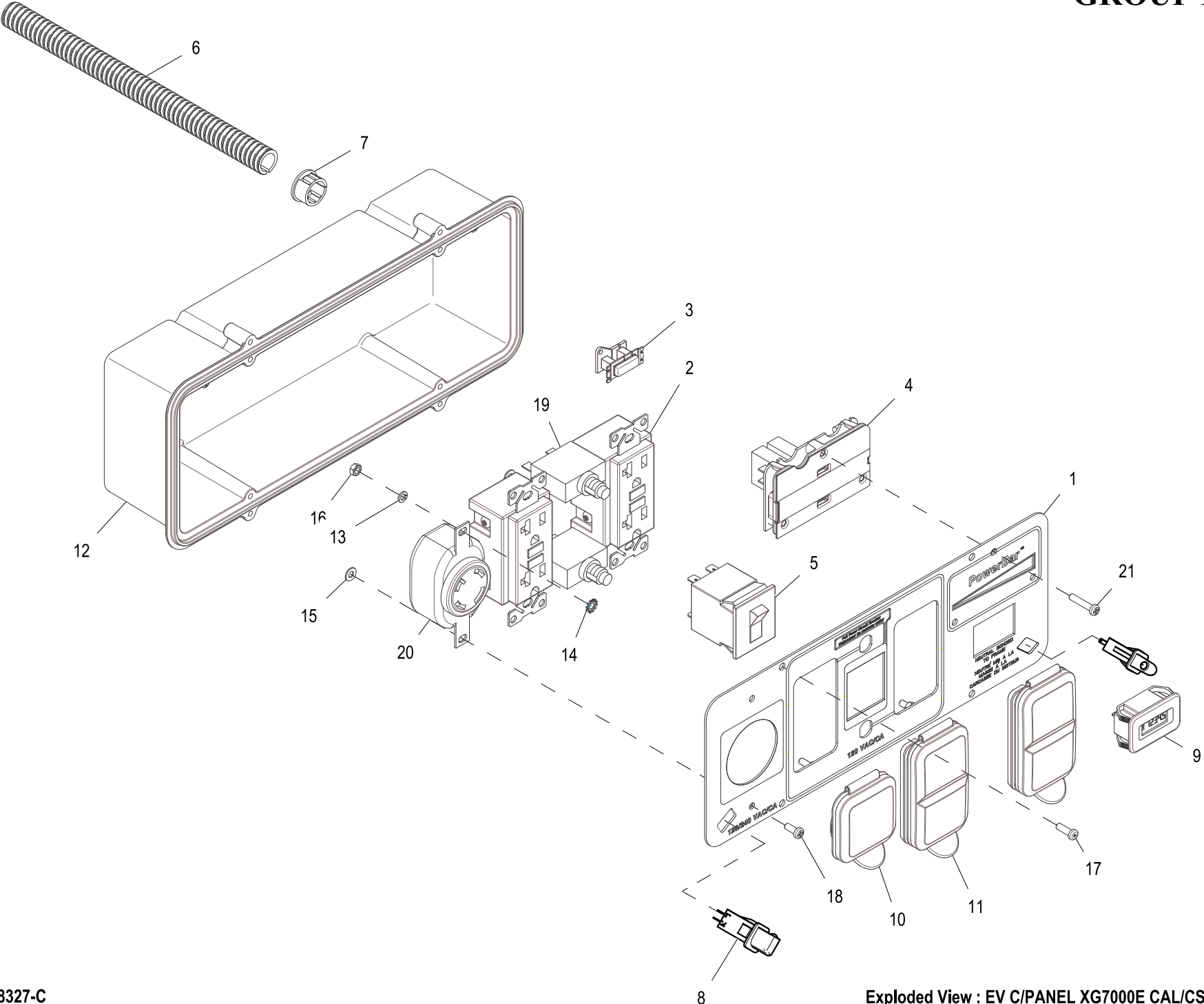
DETAIL OF BACK PANEL

E.C.O.	REV.	DATE
-	A	10/21/09

DO NOT SCALE

GROUP

EXPLODED VIEW:		7000W PORTABLE		GENERAC POWER SYSTEMS	
DRAWN BY:	GGH	DATE:	10/21/09	P.O. BOX 8 WAUKESHA, WIS. 53186	
CHECKED BY:	KB	DATE:	12/15/09	FIRST USE:	005845-0
APPROVED BY:	DV	DATE:	12/22/09	PART NO.:	0H5294
RELEASED FOR PRODUCTION BY:	B. BRANDENBURG	DATE:	12/15/09	REV.:	A



ITEM	PART	QTY.	DESCRIPTION
1	SEE TABLE	1	ASSY RECEPTACLE PANEL
2	0D4966	2	OUTLET 20A 120V GFCI GF20BK
3	0D4804B	1	XFMR IDLE CURRENT
4	SEE TABLE	1	POWERBAR ASSY
5	0H5283B	1	CB 2P 30A 250W CSA M SERIES
6	077043B	1	CONDUIT FLEX .50"ID
7	0A5489	1	SNAP BUSHING.75 OPEN
8	0H6784	2	LED CONTROL PANEL SNAP-FIT XG
9	0G8321	1	HOUR METER W/ALERTS AC/DC
10	0G9391	1	COVER,30A 120/240V
11	0G9392	2	COVER, 20A 120V GFCI/DUPLEX
12	0G9756	1	RECPTACLE PANEL STORM-GEN
13	022264	6	WASHER LOCK #8-M4
14	026579	1	WASHER LOCKF EXT #8 STEEL
15	043180	6	WASHER FLAT M4
16	051715	9	NUT HEX M4-0.7 G8 YEL CHR
17	0G8382	4	SCREW PPPH #8-16 X .66" BZC
18	0G9060	2	SCREW PPHM M4-0.7 X 10 BZC
19	0H0265C	2	CB 20A 1P 120V CUL/CSA JOEMEX
20	0H2929	1	OUTLET 30A 120/250V SPCGR
21	0H3968	3	SCREW PPHM M4-0.7 X 20 BLK ZC
22	SEE TABLE	1	WIRE HARNESS (NOT SHOWN)

TABLE 1				
ITEM	QTY.	DESCRIPTION	7000W	8000W
1	1	ASSY RECEPTACLE PANEL	0H5280B	0H5280C
4	1	POWERBAR ASSY	0H3362C	0H3362D
22	1	WIRE HARNESS (NOT SHOWN)	0H5275	0H5276