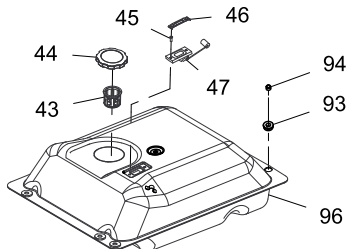
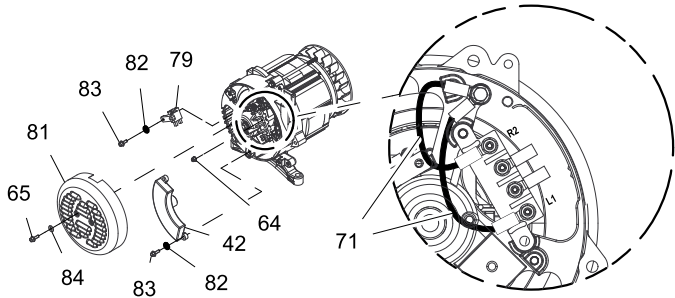


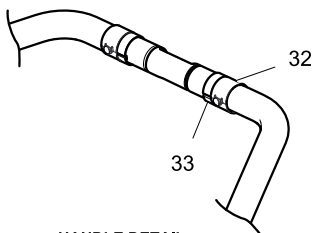
ROUTE HOSE THROUGH CLIP
DETAIL OF FRONT OF ENGINE



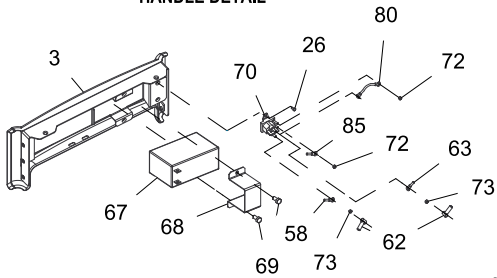
DETAIL OF GAS TANK



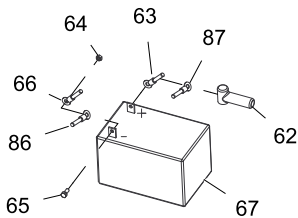
DETAIL OF ALTERNATOR



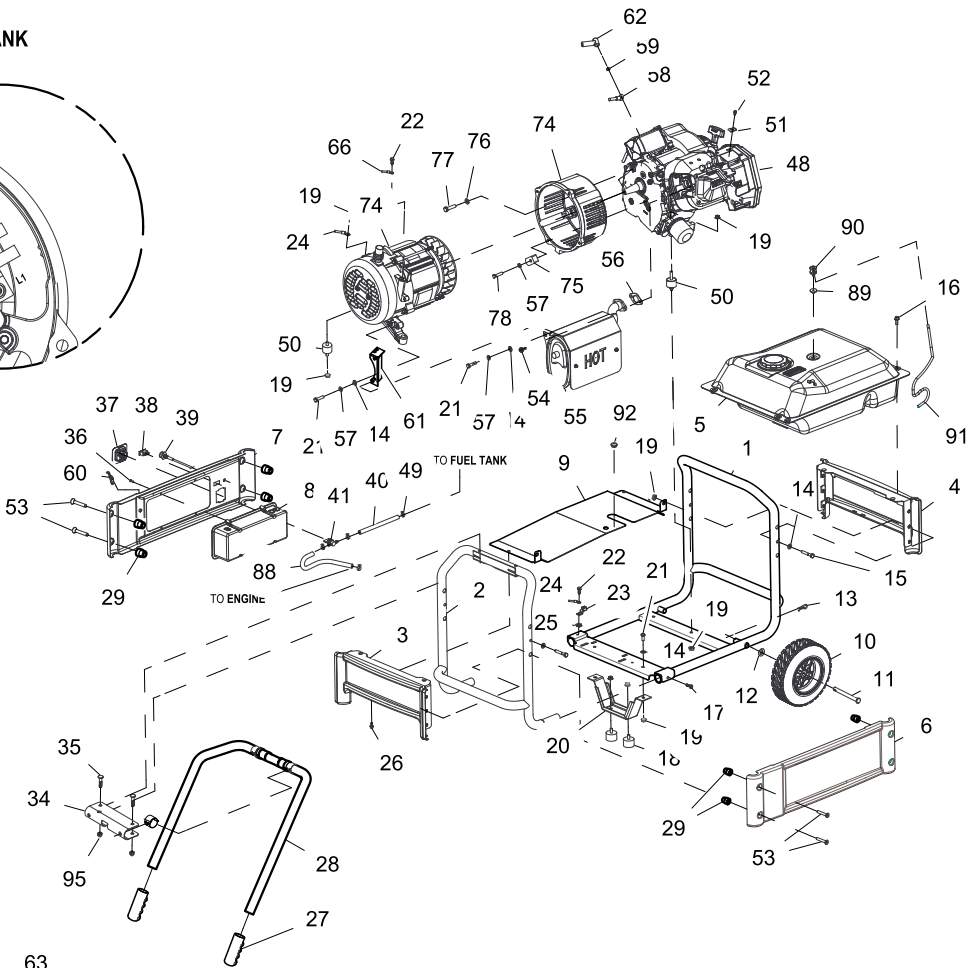
HANDLE DETAIL



DETAIL OF BACK PANEL



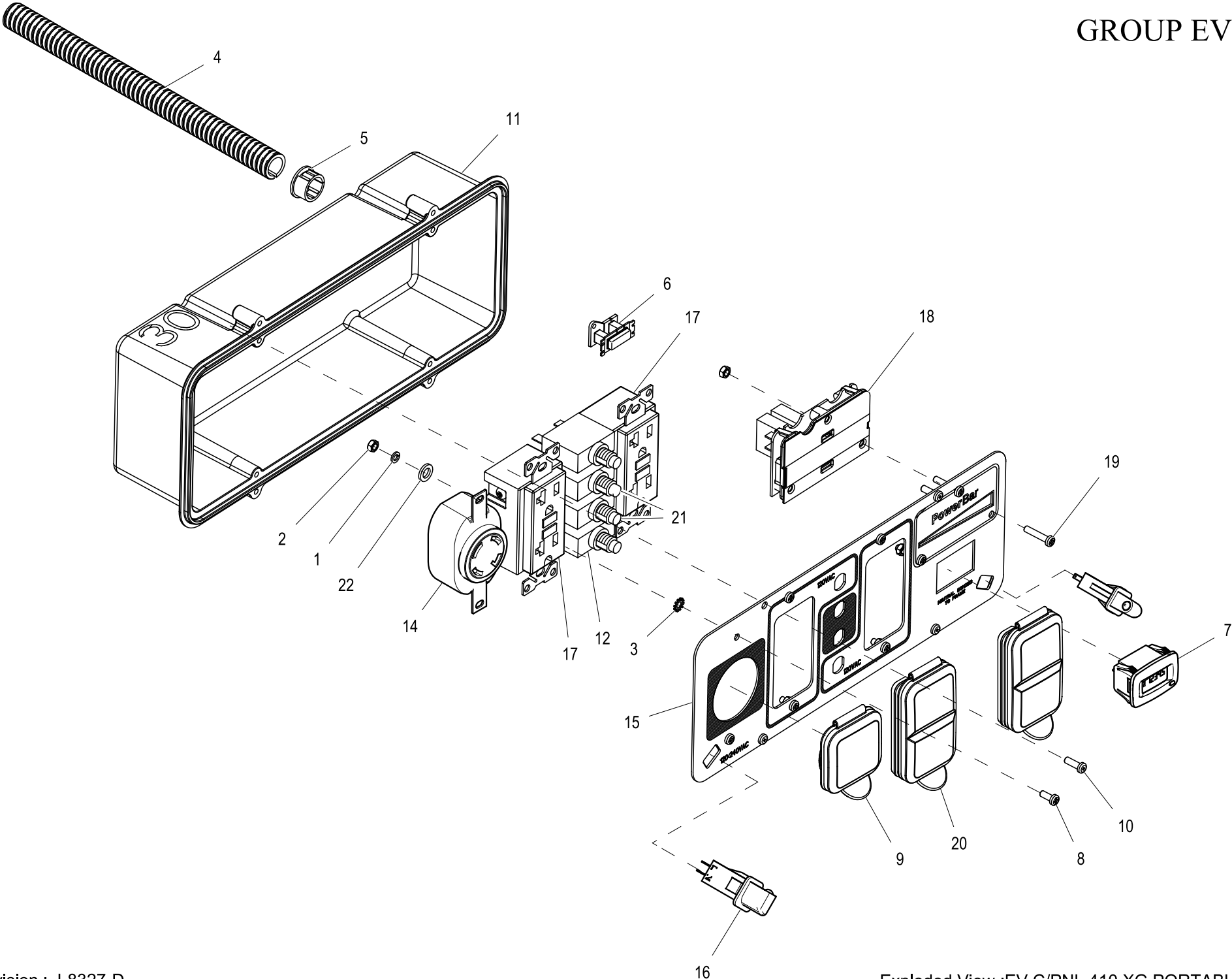
DETAIL OF BATTERY



GROUP EV

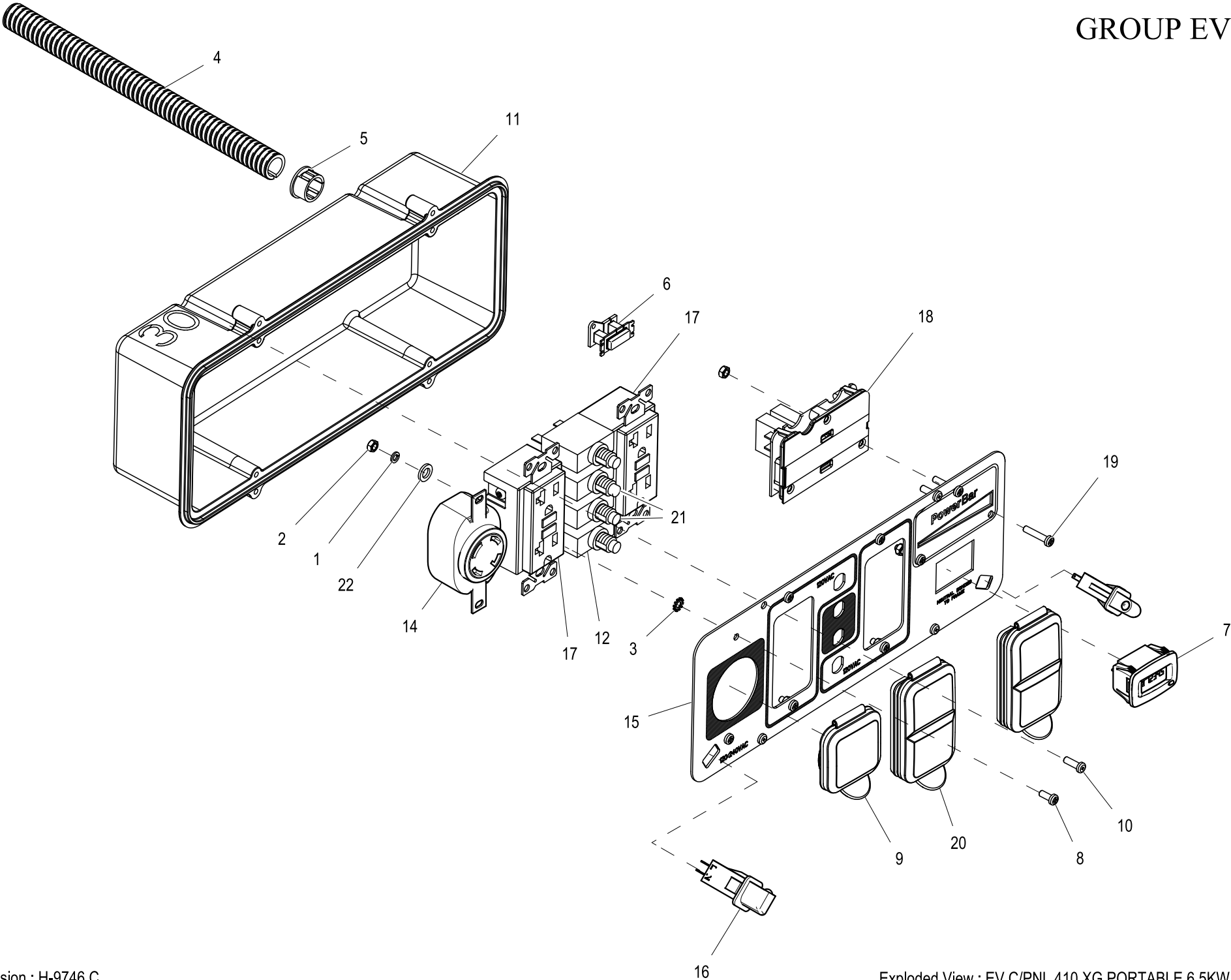
ITEM	PART	QTY.	DESCRIPTION
1	0J4654	1	FRAME BASE ASSY XG8000E
2	0J4653	1	FRAME END ASSY XG8000E
3	0H2392C	1	ASSY,END PNL ALT. END
4	0H2392A	1	ASSY,END PANEL XG8
5	0H2564A	1	ASSY,FUEL TANK XG8 9GAL CARB
6	0H2394B	1	PANEL, SIDE
7	0H2394A	1	PANEL,C/PNL SIDE
8	0H2802G	1	ASSY CTRL PNL XG7000
9	0H6371	1	HEAT SHIELD, XG6.5-8
10	0H4420	2	WHEEL,9.5",1/2" AXLE,XG RALLYE
11	0H1129	2	AXLE, PIN, 1/2 IN, XG
12	087171	2	WASHER FLAT 1/2 SS
13	0H3443	2	COTTER HAIRPIN 2.56 X .80
14	022145	10	WASHER FLAT 5/16-M8 ZINC
15	051731	4	SCREW HHC M8-1.25 X 50 C8.8
16	0G5445	4	SCREW HHTT M8-1.25 X 20
17	0H5030	2	SCREW HHSD 1/4-14 X 7/8 BZ
18	0H3590	2	VIB MNT 38.4 X 30.5 X M8-1.25
19	067989	14	NUT HEX FL WHIZ M8-1.25
20	0H0720	1	BRACKET, BENT, FOOT, GX
21	039253	6	SCREW HHC M8-1.25 X 20 C8.8
22	0G2018	2	SCREW HHSD 1/4-14 X 7/8
23	055414	1	LUG SLDLSS #2-#8 X 17/64 CU
24	0742600186	1	GROUND WIRE BRG CAR-LUG 4KW
25	0A1658	1	WASHER LOCK SPECIAL 1/4"
26	090388	4	SCREW HHTT M6-1.0 X 12 ZINC
27	0G8465	2	GRIP NUBBED 1-1/4"X4-3/8"
28	0J1208B	1	ASSY HANDLE XG
29	0H5307	8	SPACER, SELF LOCATINGD
30	---	--	-----
31	---	--	-----
32	0H2205	2	BEARING,HANDLE,XG
33	0H9525	2	BEARING EXTERNAL HANDLE XG
34	0H9529B	1	BRACKET MOUNTING HANDLE
35	0H0031	2	CHB CUSTOM 5/16 18 X 46MM LONG
36	0G8382	4	SCREW PPPH #8-16 X .66" BZC
37	0H2142	1	VALVE HOLDER,FUEL SHUTOFF
38	0G9549	1	SWITCH SPDT (ON)-OFF-ON 20A
39	0G9560A	1	CABLE CHOKE PORT NOM 382
40	0H3455E	1	FUEL HOSE, 160 MM LONG
41	0H3419	1	VALVE,FUEL SHUTOFF
42	0H4284	1	AVR, 7KW VN ALTERNATOR
43	0H1326	1	FILTER, FUEL
44	0H0958	1	ASSY GAS CAP SEALED - CHROME
45	0H1357	2	SCREW PFHM M5-0.8 X 12
46	0H1359	1	PLATE, FUEL GAGE
47	0H1345	1	FUEL GAGE, 153 MM LONG ARM
48	0J2515	1	410CC ENGINE - XG7000

ITEM	PART	QTY.	DESCRIPTION
49	048031G	4	CLAMP HOSE BAND .41
50	0H2043	4	VIB MOUNT 35 X 12 X M8-1.25
51	0E4190	1	CLAMP, 3/16" COATED CABLE
52	0F5579	1	SCREW HHC SHLDR M5-0.8X20 G8.8
53	0H6059	8	SCREW FHSC M8-1.25 X 60 BZC
54	0G3730	2	SCREW SHC M8-1.25 X 20 SEMS
55	0H3033	1	ASSY MUFFLER 410CC XG 6.5-7
56	090239	1	GASKET, EXHAUST
57	022129	5	WASHER LOCK M8-5/16
58	0742600191	1	WIRE ASSEMBLY
59	0B2236	1	NUT HEX LOCK M6-1 NY INS
60	0H0025	1	ASSY 12VDC POWER JACK W/LUGS
61	0G8542	1	BRACKET, MUFFLER 389CC
62	0G6392	4	BOOT, VINYL STARTER-SOLENOID
63	0742600189	1	WIRE ASSEMBLY
64	0H3535	6	NUT FLANGE M5-0.8 NYLOCK
65	052618	4	SCREW HHC M5-0.8 X 12 C8.8
66	0742600193	1	WIRE ASSEMBLY
67	0G9449	1	BATTERY 12V10AH SEALED
68	0H2764	1	BRACKET,BATTERY,HOLD DOWN
69	092079	2	SCREW HHTT M6-1.0 X 25 BP
70	086729	1	CONTACTOR, STARTER SOLENOID
71	0H4768A	2	JUMPER WIRE ASSEMBLY, 5.00"
72	089338	2	NUT HEX LOCK #8-32 NY INS BRS
73	027529	2	NUT HEX LOCK 1/4-20 NY INS
74	0H4863	1	7KW ALTERNATOR W/JUMPER WIRE
75	0G9832	1	BRACKET, MOUNTING ALT7KW
76	046526	3	WASHER LOCKING
77	022511	3	SCREW HHC 3/8-16 X 1-1/4 G5
78	030209	1	SCREW HHC 5/16-24 X 1-1/4 G5
79	0H0919	1	ASSEMBLY, BRUSH VISION
80	0H0228C	1	WIRE ASSY RED SOL TO SOL
81	0H3049	1	COVER ALTERNATOR INLET 5-7KW
82	049226	3	LOCK WASHER M5
83	049815	3	SCREW HHC M5-0.8 X 16 G8.8
84	051713	2	FLAT WASHER M5
85	0H4218	1	HARNESS ENGINE GH410 XG ES
86	0742600188	1	WIRE ASSEMBLY
87	0742600192	1	WIRE ASSEMBLY
88	0H5762	1	FUEL LINE FORMED VLV TO ENG XG
89	0H3631	1	GROMMET, ROLLOVER VALVE
90	0H3630	1	ROLLOVER VALVE
91	0J1699	1	EVAP HOSE FORMED
92	023484E	1	BUSHING SNAP SB-687-8
93	0H1411	5	RUBBER MOUNT, 10.8 ID X 9 TALL
94	0H1610	4	INSERT, ANTI-CRUSH FOR TANKS
95	0G8486	2	CAP NUT 5/16-18 ZBC
96	0H2565A	1	WELDMNT,FUEL TANK XG 9GAL CARB



EXPLODED VIEW: EV C/PNL 410 XG PORTABLE 6.5KW**DRAWING #: 0H4099****GROUP EV**

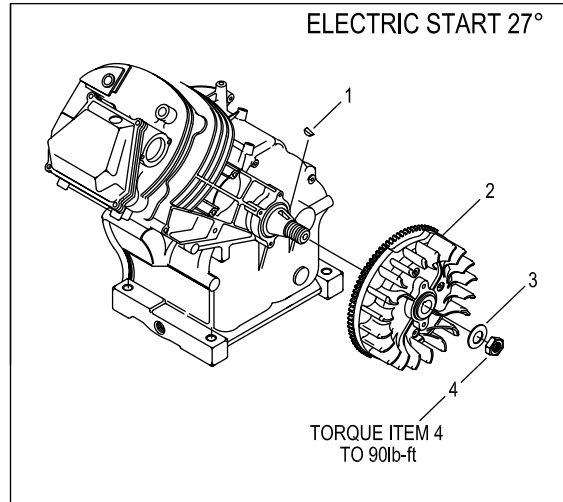
ITEM	PART#	QTY.	DESCRIPTION
1	022264	6	WASHER LOCK #8-M4
2	051715	9	NUT HEX M4-0.7 G8 YEL CHR
3	026579	1	WASHER LOCKF EXT #8 STEEL
4	077043B	1	CONDUIT FLEX .50"ID
5	0A5489	1	SNAP BUSHING.75 OPEN
6	0D4804B	1	XFMR IDLE CURRENT
7	0H8214	1	HOUR METER W/ALERTS AC/DC
8	0G9060	2	SCREW PPHM M4-0.7 X 10 BZC
9	0G9391	1	COVER,30A 120/240V
10	0G8382	4	SCREW PPPH #8-16 X .66" BZC
11	0G9756	1	RECTANGLE PANEL STORM-GEN
12	0H0265C	2	CB 20A 1P 120V CUL/CSA JOEMEX
13	SEE TABLE 1	-	WIRE HARNESS (NOT SHOWN)
14	0H2929	1	OUTLET 30A 120/250V SPCGR
15	0H3343F	1	PANEL COVER, XG PORTABLE
16	0H6784	2	LED CONTROL PANEL SNAP-FIT XG
17	0D4966	2	OUTLET 20A 120V GFCI GF20BK
18	SEE TABLE 1	-	TRULOAD POWERBAR ASSY
19	0H3968	3	SCREW PPHM M4-0.7 X 20 BLK ZC
20	0G9392	2	COVER, 20A 120V GFCI/DUPLEX
21	0H0265E	2	CB 30A 1P 120V CUL/CSA JOEMEX
22	043180	6	WASHER FLAT M4



ITEM	PART	QTY.	DESCRIPTION
1	022264	6	WASHER LOCK #8-M4
2	051715	9	NUT HEX M4-0.7 G8 YEL CHR
3	026579	1	WASHER LOCKF EXT #8 STEEL
4	077043B	1	CONDUIT FLEX .50"ID
5	0A5489	1	SNAP BUSHING.75 OPEN
6	0D4804B	1	XFMR IDLE CURRENT
7	0H8214	1	HOUR METER W/ALERTS AC/DC
8	0G9060	2	SCREW PPHM M4-0.7 X 10 BZC
9	0G9391	1	COVER,30A 120/240V
10	0G8382	4	SCREW PPPH #8-16 X .66" BZC
11	0G9756	1	RECPTACLE PANEL STORM-GEN
12	0H0265C	2	CB 20A 1P 120V CUL/CSA JOEMEX
13	SEE TABLE 1	-	WIRE HARNESS (NOT SHOWN)
14	0H2929	1	OUTLET 30A 120/250V SPCGR
15	0H3343F	1	PANEL COVER, XG PORTABLE
16	0H6784	2	LED CONTROL PANEL SNAP-FIT XG
17	0H3346	2	OUTLET 20A 120V GFCI GF20BK
18	SEE TABLE 1	-	TRULOAD POWERBAR ASSY
19	0H3968	3	SCREW PPHM M4-0.7 X 20 BLK ZC
20	0G9392	2	COVER, 20A 120V GFCI/DUPLEX
21	0H0265E	2	CB 30A 1P 120V CUL/CSA JOEMEX
22	043180	6	WASHER FLAT M4

TABLE 1					
ITEM	QTY.	DESCRIPTION	6500W	7000W	8000W
13	1	WIRE HARNESS (NOT SHOWN)	0H3341	0H3341	0H5146
18	1	POWERBAR ASSY	0H3362B	0H3362C	0H3362D

FLYWHEEL OPTION
ENGINE PRODUCTION LEVEL 10E



1	082774	1	KEY, WOODRUFF 4 x 19D
2	091222C	1	ASSY, FLYWHEEL W/RING GEAR 27 DEGREE
3	067198N	1	WASHER, BELV-20 X 2.2
4	067890	1	NUT, HEX – FLYWHEEL