

DETAIL OF ALTERNATOR

DETAIL OF GAS TANK

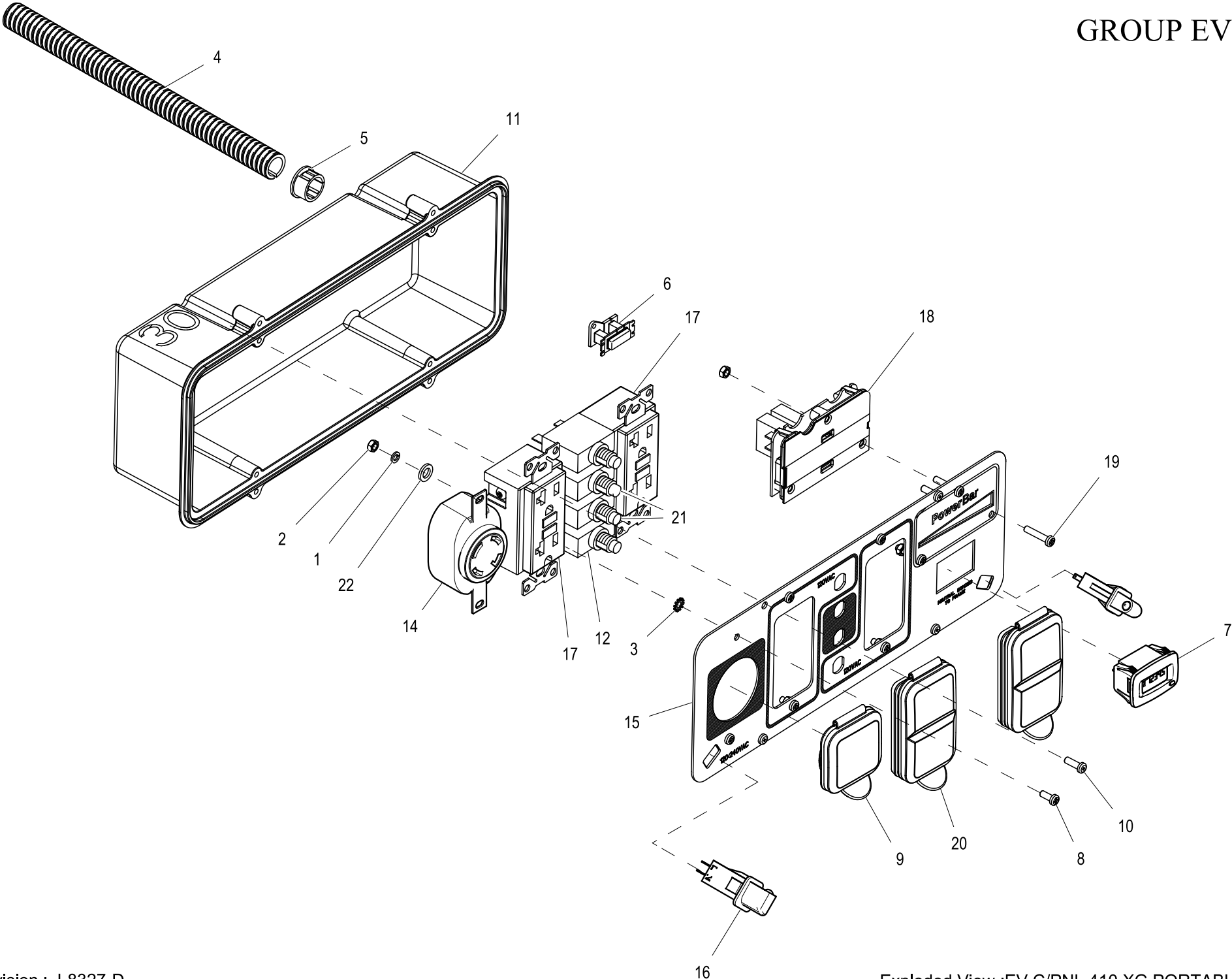
HANDLE DETAIL

TO FUEL TANK

TO ENGINE

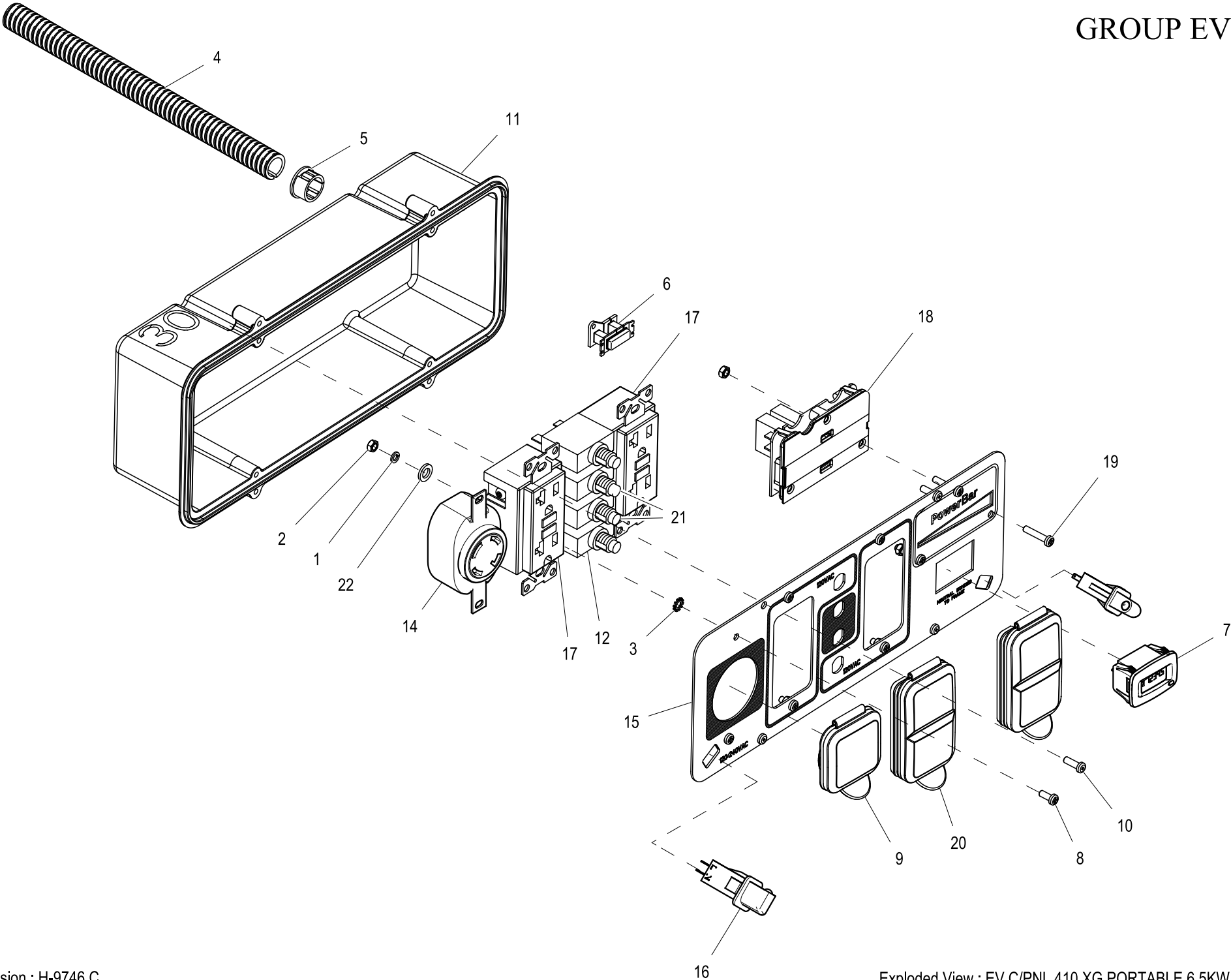
ROUTE HOSE THROUGH CLIP
DETAIL OF FRONT OF ENGINE

ITEM	PART	QTY.	DESCRIPTION
1	0J4654	1	FRAME,BASE,ASSY,XG8000E
2	0J4653	1	FRAME,END,ASSY,XG8000E
3	049226	2	WASHER LOCK M5
4	0H2392A	1	PANEL END, ENGINE
5	0H2565A	1	WELDMNT,FUEL TANK XG 9GAL CARB
6	0H2394B	1	PANEL RAIL XG BACK
7	0H2394C	1	PANEL RAIL XG C/PNL PS
8	0H2802F	1	ASSY CTRL PNL XG6500
9	0H6371	1	HEAT SHIELD, XG6,5-8
10	0H4420	2	WHEEL,9,5",1/2" AXLE,XG RALLYE
11	0H1129	2	AXLE, PIN, 1/2 IN, XG
12	087171	2	WASHER FLAT 1/2 SS
13	0H3443	2	COTTER HAIRPIN 2.56 X .80
14	022145	10	WASHER FLAT 5/16-M8 ZINC
15	051731	4	SCREW HHC M8-1.25 X 50 C8.8
16	0G5445	4	SCREW HHTT M8-1.25 X 20
17	0H5030	2	SCREW HHSD 1/4-14 X 7/8 BZ
18	0H3590	2	VIB MNT 38.4 X 30.5 X M8-1.25
19	067989	14	NUT HEX FL WHIZ M8-1.25
20	0H0720	1	BRACKET, BENT, FOOT, GX
21	039253	6	SCREW HHC M8-1.25 X 20 C8.8
22	0G2018	1	SCREW HHSD 1/4-14 X 7/8
23	055414	1	LUG SLDLSS #2-#8 X 17/64 CU
24	0742600186	1	GROUND WIRE BRG CAR-LUG 4KW
25	0A1658	1	WASHER LOCK SPECIAL 1/4"
26	090388	2	SCREW HHTT M6-1.0 X 12 ZINC
27	0G8465	2	GRIP NUBBED 1-1/4"X4-3/8"
28	0J1208B	1	ASSY HANDLE XG
29	0H5307	8	SPACER, SELF LOCATING
30	-----	--	-----
31	-----	--	-----
32	0H2205	2	BEARING,HANDLE,XG
33	0H6887	2	BOLT CARR 5/16-18X2 BLCK ZINC
34	0H9529B	1	BRACKET MOUNTING HANDLE
35	0G8486	2	CAP NUT 5/16-18 ZBC
36	0G8382	4	SCREW PPPH #8-16 X .66" BZC
37	0H2142	1	VALVE HOLDER,FUEL SHUTOFF
38	0H3451	1	SWITCH DPST ON-OFF BLACK
39	0G9560A	1	CABLE CHOKE PORT NOM 382
40	0H3455E	1	FUEL HOSE, 160 MM LONG
41	0H3419	1	VALVE,FUEL SHUTOFF
42	049815	3	SCREW HHC M5-0.8 X 16 G8.8
43	051713	3	WASHER FLAT M5
44	0H1326	1	FILTER, FUEL
45	0H0958	1	ASSY GAS CAP SEALED - CHROME
46	0H1357	2	SCREW PFHM M5-0.8 X 12
47	0H1359	1	PLATE, FUEL GAGE
48	0H1345	1	FUEL GAGE, 153 MM LONG ARM
49	0J2514	1	ENGINE GH410 XG6.5 PS
50	048031G	4	CLAMP HOSE BAND .41
51	0H2043	4	VIB MOUNT 35 X 12 X M8-1.25
52	0E4190	1	CLAMP, 3/16" COATED CABLE
53	0F5579	1	SCREW HHC SHLDR M5-0.8X20 G8.8
54	0H6059	8	SCREW FHSC M8-1.25 X 60 BZC
55	0G3730	2	SCREW SHC M8-1.25 X 20 SEMS
56	0H3033	1	ASSY MUFFLER 410CC XG 6.5-7
57	090239	1	GASKET, EXHAUST
58	0G8542	1	BRACKET, MUFFLER 389CC
59	0H0919	1	ASSEMBLY,BRUSH
60	0H4768A	2	JUMPER WIRE ASSEMBLY, 5.00"
61	022129	5	WASHER LOCK M8-5/16
62	0H4862	1	6.5KW ALT W/JUMPER WIRES N
63	0G9832	1	BRACKET, MOUNTING, ALT 7KW
64	048526	3	LUG RNGTNG INS 22-18X3/8X.544
65	022511	3	SCREW HHC 3/8-16 X 1-1/4 G5
66	030209	2	SCREW HHC 5/16-24 X 1-1/4 G5
67	0H3535	4	NUT FLANGE M5-0.8 NYLOCK
68	0H2579B	1	AVR 5.5-7.5KW ALT
69	0H3049	1	COVER ALTERNATOR INLET 5-7KW
70	052618	2	SCREW HHC M5-0.8 X 12 C8.8
71	0H5762	1	FUEL LINE FORMED VLV TO ENG XG
72	0H3631	1	GROMMET, ROLLOVER VALVE
73	0H3630	1	ROLLOVER VALVE
74	0J1699	1	EVAP HOSE FORMED
75	023484E	1	BUSHING SNAP SB-687-8
76	0H1411	5	RUBBER MOUNT, 10.8 ID X 9 TALL
77	0H1610	4	ANTI-CRUSH 10.8OD 9ID 7.8LG
78	0H9525	2	BEARING EXTERNAL HANDLE XG



EXPLODED VIEW: EV C/PNL 410 XG PORTABLE 6.5KW**DRAWING #: 0H4099****GROUP EV**

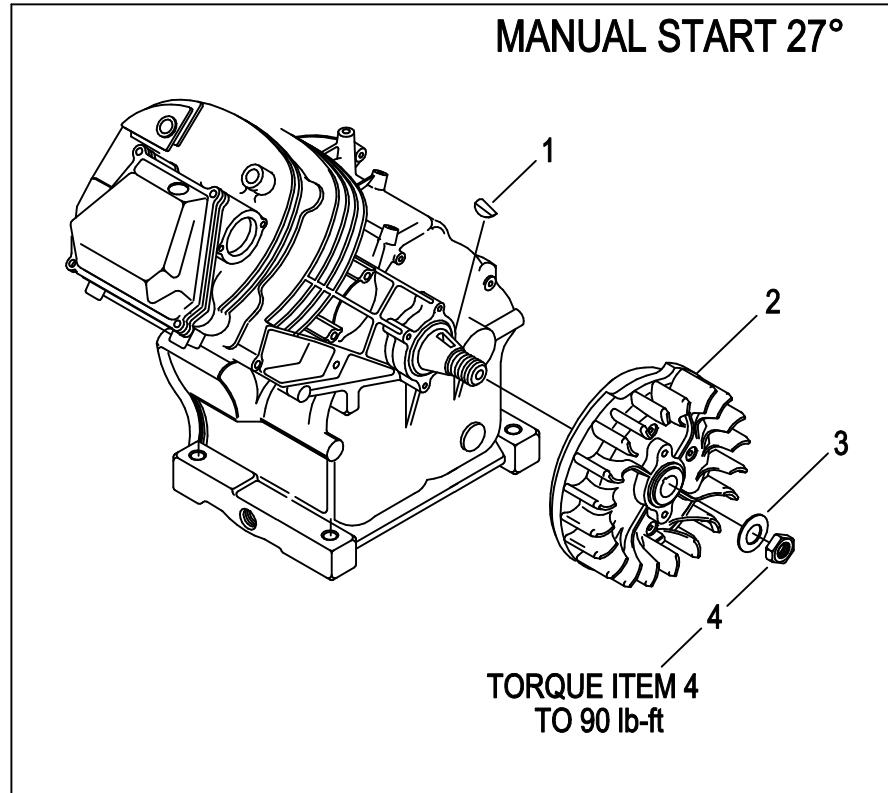
ITEM	PART#	QTY.	DESCRIPTION
1	022264	6	WASHER LOCK #8-M4
2	051715	9	NUT HEX M4-0.7 G8 YEL CHR
3	026579	1	WASHER LOCKF EXT #8 STEEL
4	077043B	1	CONDUIT FLEX .50"ID
5	0A5489	1	SNAP BUSHING.75 OPEN
6	0D4804B	1	XFMR IDLE CURRENT
7	0H8214	1	HOUR METER W/ALERTS AC/DC
8	0G9060	2	SCREW PPHM M4-0.7 X 10 BZC
9	0G9391	1	COVER,30A 120/240V
10	0G8382	4	SCREW PPPH #8-16 X .66" BZC
11	0G9756	1	RECTANGLE PANEL STORM-GEN
12	0H0265C	2	CB 20A 1P 120V CUL/CSA JOEMEX
13	SEE TABLE 1	-	WIRE HARNESS (NOT SHOWN)
14	0H2929	1	OUTLET 30A 120/250V SPCGR
15	0H3343F	1	PANEL COVER, XG PORTABLE
16	0H6784	2	LED CONTROL PANEL SNAP-FIT XG
17	0D4966	2	OUTLET 20A 120V GFCI GF20BK
18	SEE TABLE 1	-	TRULOAD POWERBAR ASSY
19	0H3968	3	SCREW PPHM M4-0.7 X 20 BLK ZC
20	0G9392	2	COVER, 20A 120V GFCI/DUPLEX
21	0H0265E	2	CB 30A 1P 120V CUL/CSA JOEMEX
22	043180	6	WASHER FLAT M4



ITEM	PART	QTY.	DESCRIPTION
1	022264	6	WASHER LOCK #8-M4
2	051715	9	NUT HEX M4-0.7 G8 YEL CHR
3	026579	1	WASHER LOCKF EXT #8 STEEL
4	077043B	1	CONDUIT FLEX .50"ID
5	0A5489	1	SNAP BUSHING.75 OPEN
6	0D4804B	1	XFMR IDLE CURRENT
7	0H8214	1	HOUR METER W/ALERTS AC/DC
8	0G9060	2	SCREW PPHM M4-0.7 X 10 BZC
9	0G9391	1	COVER,30A 120/240V
10	0G8382	4	SCREW PPPH #8-16 X .66" BZC
11	0G9756	1	RECPTACLE PANEL STORM-GEN
12	0H0265C	2	CB 20A 1P 120V CUL/CSA JOEMEX
13	SEE TABLE 1	-	WIRE HARNESS (NOT SHOWN)
14	0H2929	1	OUTLET 30A 120/250V SPCGR
15	0H3343F	1	PANEL COVER, XG PORTABLE
16	0H6784	2	LED CONTROL PANEL SNAP-FIT XG
17	0H3346	2	OUTLET 20A 120V GFCI GF20BK
18	SEE TABLE 1	-	TRULOAD POWERBAR ASSY
19	0H3968	3	SCREW PPHM M4-0.7 X 20 BLK ZC
20	0G9392	2	COVER, 20A 120V GFCI/DUPLEX
21	0H0265E	2	CB 30A 1P 120V CUL/CSA JOEMEX
22	043180	6	WASHER FLAT M4

TABLE 1					
ITEM	QTY.	DESCRIPTION	6500W	7000W	8000W
13	1	WIRE HARNESS (NOT SHOWN)	0H3341	0H3341	0H5146
18	1	POWERBAR ASSY	0H3362B	0H3362C	0H3362D

FLYWHEEL OPTION ENGINE PRODUCTION LEVEL 10E



EXPLODED VIEW: FLYWHEEL OPTION, 410cc MANUAL START
DRAWING #: 0C4000A

GROUP

APPLICABLE TO:

ITEM	PART #	QTY.	DESCRIPTION
1	082774	1	KEY, WOODRUFF 4 x 19D
2	0C3347C	1	FLYWHEEL, LARGE FRAME 27 DEGREE
3	067198N	1	WASHER, BELV-20 X 2.2
4	067890	1	NUT, HEX - FLYWHEEL