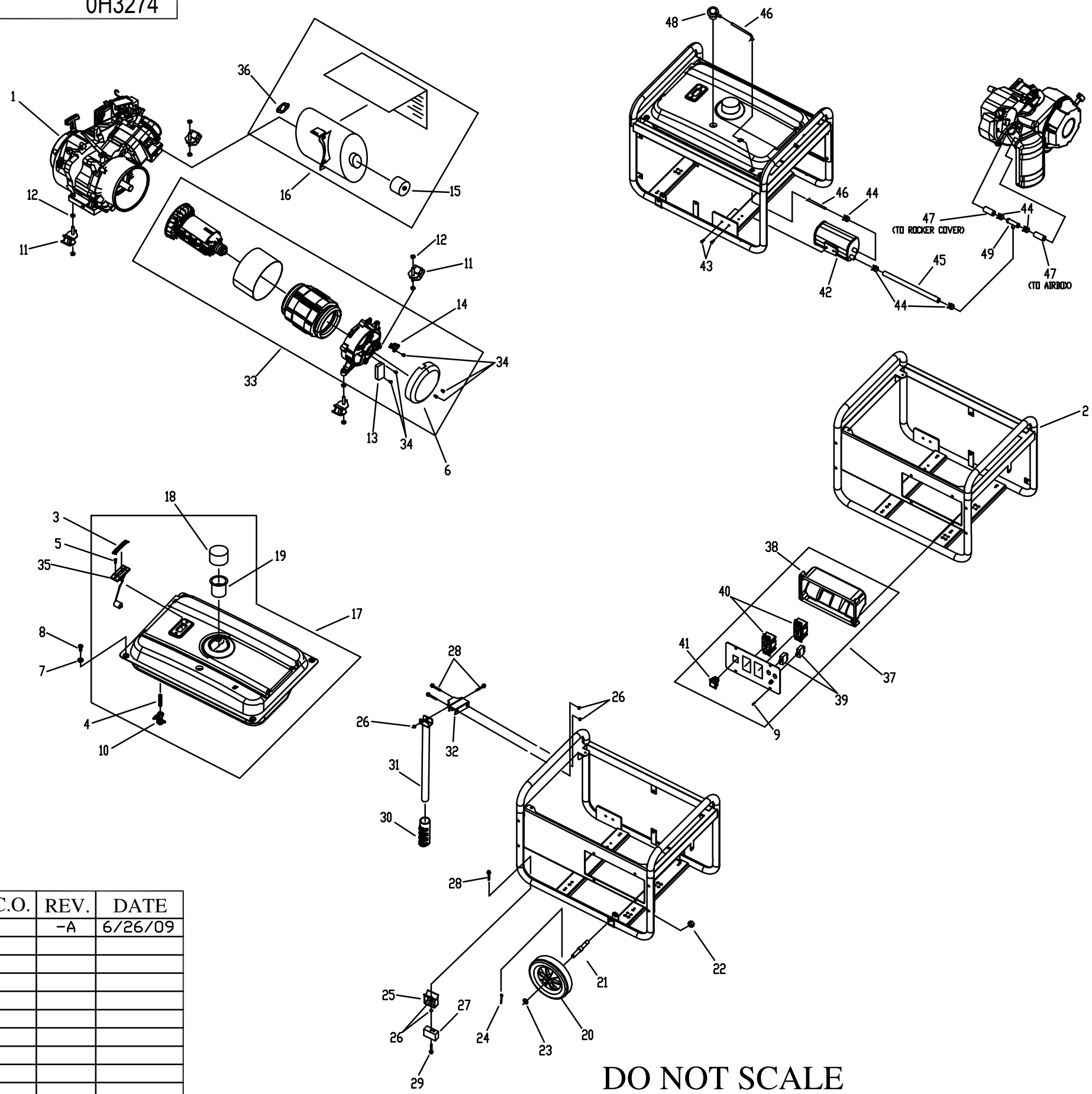


PART NO. 0H3274



ITEM	PART #	QTY.	DESCRIPTION
1	0H0393	1	ENGINE, 208CC
2	0H4142	1	FRAME, 1-PIECE 3250W CARB
3	0H1359	1	PLATE, FUEL GAGE
4	0H1613	1	FILTER, FUEL VALVE
5	0H1357	2	SCREW, PFHM M5-0.8 x 12
6	0H3850	1	COVER, ALTERNATOR, 1800W / 3250W
7	0D5303	4	WASHER, FLAT 0.25" ID x 1" OD
8	0C8566	4	SCREW, HHFC M6-1.0 x 20
9	0G8382	8	SCREW, PPPH #8-16 x 0.66"
10	0H0406	1	VALVE, FUEL SHUTOFF
11	0H0389	4	VIBRATION MOUNT, M8-1.25 THREADS
12	067989	8	NUT, HEX FLANGE WHIZ M8-1.25
13	0H0402	1	AVR
14	0H0403	1	ASSY, BRUSH
15	0H0392	1	SPARK ARRESTOR
16	0H4159	1	ASSY, MUFFLER W/ AIR VALVE 3250W
17	0H4140	1	ASSY, FUEL TANK CARB
18	0H4138	1	FUEL CAP, TETHERED, NON-VENTED
19	0H4139	1	FUEL FILTER, 3250W CARB
20	0H0377	2	WHEEL, 7" DIAMETER 3250W
21	0H0821	2	AXLE WHEEL, M12-1.75 THREADS
22	052860	2	NUT, TOP LOCK FLANGE M12-1.75
23	0H0851	2	WASHER, FLAT M12
24	0D4999	2	PIN, COTTER 1/8" x 1-1/4"
25	0H0820	2	BUMPER BRACKET 3250W
26	0E8388	7	NUT, HEX FLANGE M6-1.0
27	0H0854	2	RUBBER BUMPER, 3250W
28	051753	5	SCREW, HHC M6-1.0 x 40
29	047411	2	SCREW, HHC M6-1.0 x 16
30	0H0818	1	RUBBER GRIP, HANDLE 3250W
31	0H0378	1	HANDLE, PORTABLE 3250W
32	0H0819	1	ASSY, HANDLE BRACKET 3250W
33	0H0401	1	ASSY, ALTERNATOR BRUSH TYPE 3250W
34	091526	5	SCREW, PFHM M5-0.8 X 12
35	0H3383	1	GAUGE, FUEL 4 GALLON TANK
36	0H3833	1	GASKET, MUFFLER 196CC / 208CC
37	0H4216	1	ASSY, CONTROL PANEL 3250W CARB
38	0H3848	1	RECEPTACLE PANEL, 1800 / 3250W
39	0H3849	2	CIRCUIT BREAKER, 13.5 AMP
40	0D4966	2	OUTLET, 20A 120V GFCI
41	0H3414	1	SWITCH, ON / OFF
42	0H4132	1	CARBON CANISTER, 3250W
43	0C8563	2	SCREW, HHFC M6-1.0 x 12
44	040173	5	CLAMP, HOSE
45	0H4109	1	HOSE, 6.35mm ID x 11mm OD x 260mm LONG
46	0H4131	1	HOSE, 6.35mm ID x 11 OD x 622mm LONG
47	0H4133	2	HOSE, 7.93ID X 12.7OD x 63.5mm LONG
48	0H4134	1	SLANT VALVE, FUEL TANK 3250W CARB
49	0H4141	1	BARBED TEE

E.C.O.	REV.	DATE
	-A	6/26/09

DO NOT SCALE

GROUP

EXPLODED VIEW:		3250W PORTABLE		GENERAC POWER SYSTEMS	
DRAWN BY:	D. COCHENET	DATE:	5/18/09	P.O. BOX 8 WAUKESHA, WIS. 53186	
CHECKED BY:	KC	DATE:	6/23/09	FIRST USE:	05789-0
APPROVED BY:	BJB	DATE:	6/25/09	PART NO.:	0H3274
RELEASED FOR PRODUCTION BY:	BJB	DATE:	6/25/09	REV.:	A