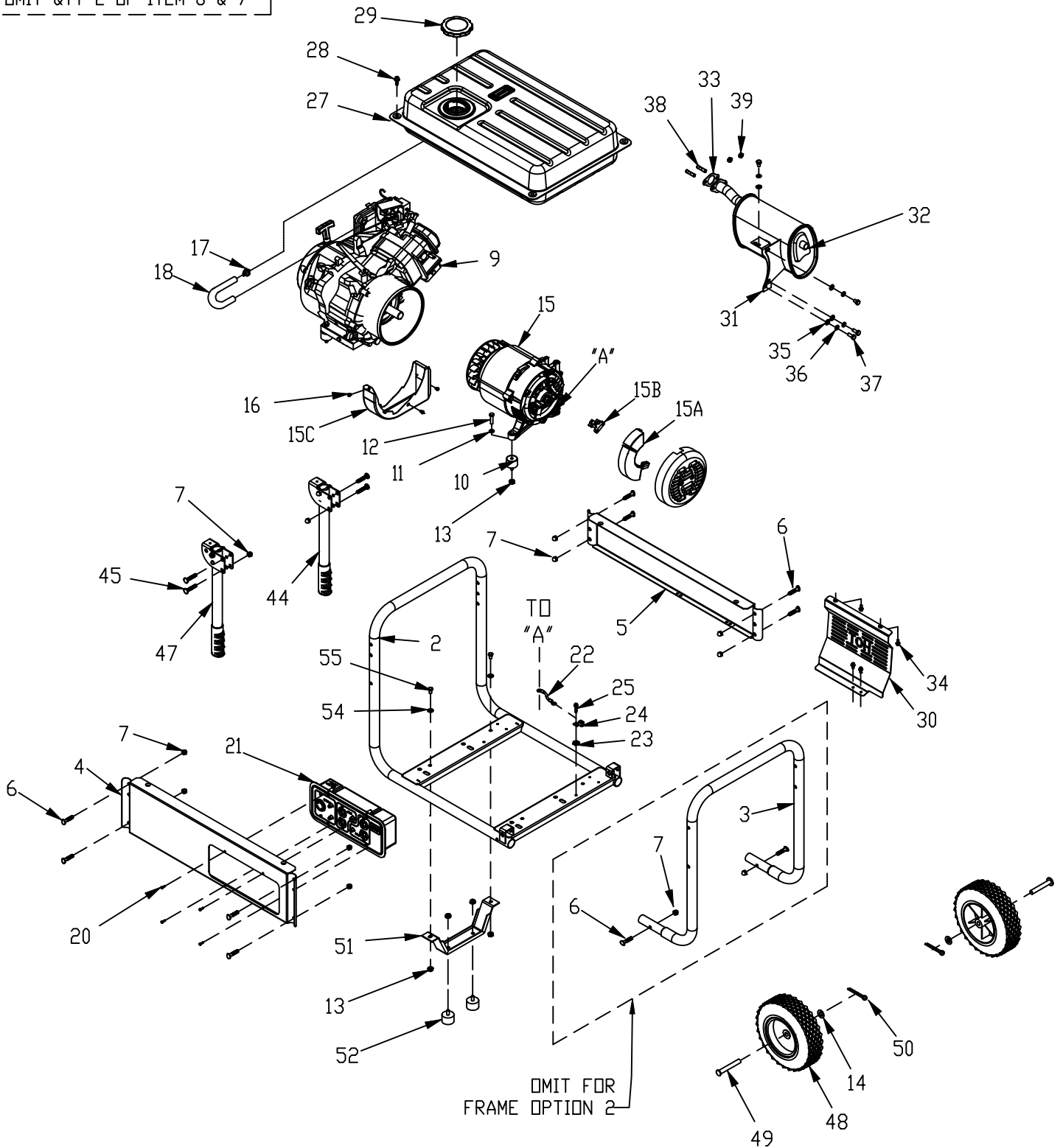


FRAME OPTION 2

1. USE ITEM 3A
2. OMIT QTY 2 OF ITEM 6 & 7



EXPLODED VIEW: GP 5.0KW PORTABLE

DRAWING #: 0H1244

GROUP

APPLICABLE TO: 005622-1

ITEM #	PART #	QTY	DESCRIPTION
2	0H01680ST15	1	ASSY CRADLE BASE PAINT: 15ORANGE
3	0G83260ST15	1	CRADLE END PAINT:15ORANGE
3A	0H17920ST15	1	ASSEMBLY, FRAME 1 PIECE
4	0G83270ST03	1	PANEL RAIL PAINT: 03BLACK
5	0G83280ST03	1	BACK RAIL PAINT: 03BLACK
6	0H1780	10	CURVED HEAD BOLT M8-1.25 X 42mm LONG
7	0H1782	12	CAP NUT LOCKING M8-1.25
9	0G8442	1	ENGINE, 389cc W/O MUFFLER
10	0H1783	4	VIB MOUNT RUBBER 35mm X 25.4 X M8-1.25
11	022129	4	WASHER LOCK M8-5/16
12	042909	4	SCREW HHC M8-1.25 X 30
13	0H1786	8	NUT LOCK FLG M8-1.25
14	0H1814	2	WASHER FLAT 13mm
15	0G9924	1	ALTERNATOR
15A	0G99240101	*	AVR FOR 0G9924
15B	0G99240102	*	BRUSH-ALTERNATOR (WHITE)
15C	0G8654	1	SCROLL, ALTERNATOR, SKU
16	0E5845	3	SCREW HHC M5-0.8 X 8 PC8.8
17	0C7649	1	CLAMP HOSE .38-.87
18	0G9757	1	FUEL HOSE,4 ID,8.5 OD X 120MM
20	0G8382	4	SCREW PPPH #8-16 X 1/2" BZC
21	0G9776D	1	ASSY RCP PANEL 25A RD W/HR MTR
22	0G8753C	1	ASSY GND WIRE ALT TO BASE
23	0A1658	1	WASHER LOCK SPECIAL 1/4"
24	055414	1	LUG SLDLSS #2-#8 X 17/64 CU
25	092079	1	SCREW HHTT M6-1.0 X 25
27	0G8430	1	FUEL TANK ASSY 6.6 GAL PORTABLE
28	0G5445	4	SCREW HHTT M8-1.25 X 20
29	0H0775	1	FUEL CAP, VENTED
30	0G87130ST03	1	SHIELD, HEAT, SKU 5,5.5,6.5 KW
31	0G8542	1	BRACKET, MUFFLER 389CC
32	0G8543	1	MUFFLER, 389CC
33	0G9028	1	GASKET, EXHAUST, 389CC
34	090388	4	SCREW HHTT M6-1.0 X 12
35	022145	4	WASHER FLAT 5/16-M8 ZINC
36	022129	4	WASHER LOCK M8-5/16
37	039253	4	SCREW HHC M8-1.25 X 20 G8.8 FT
38	045761M	2	STUD M8-1.25 X 35 G5 ZINC
39	045771	2	HEX NUT M8-1.25 G8 CLEAR ZINC
44	0H1828B	1	ASSY HANDLE LH ORANGE
45	0H1781	4	CARRIAGE HEAD BOLT M8-1.25 X 46mm LONG
47	0H1832B	1	ASSY HANDLE RH ORANGE159C
48	0G8651	2	TIRE 9.5" DIA RUN FLAT PLASTIC HUB/RUBBER TREAD
49	0H0204	2	AXLE PIN, 1/2" X 4", 3/4" HEAD
50	0D4999	2	COTTER PIN, 1/8" X 1 1/4" ZN PLT
51	0H1140ST03	1	FRAME, BENT, FOOT BLACK 03
52	0H1829	2	RUBBER FOOT, M8-1.25
54	022145	2	WASHER FLAT 5/16-M8 ZINC
55	0H1788	2	SCREW HHC M8-1.25 X 15