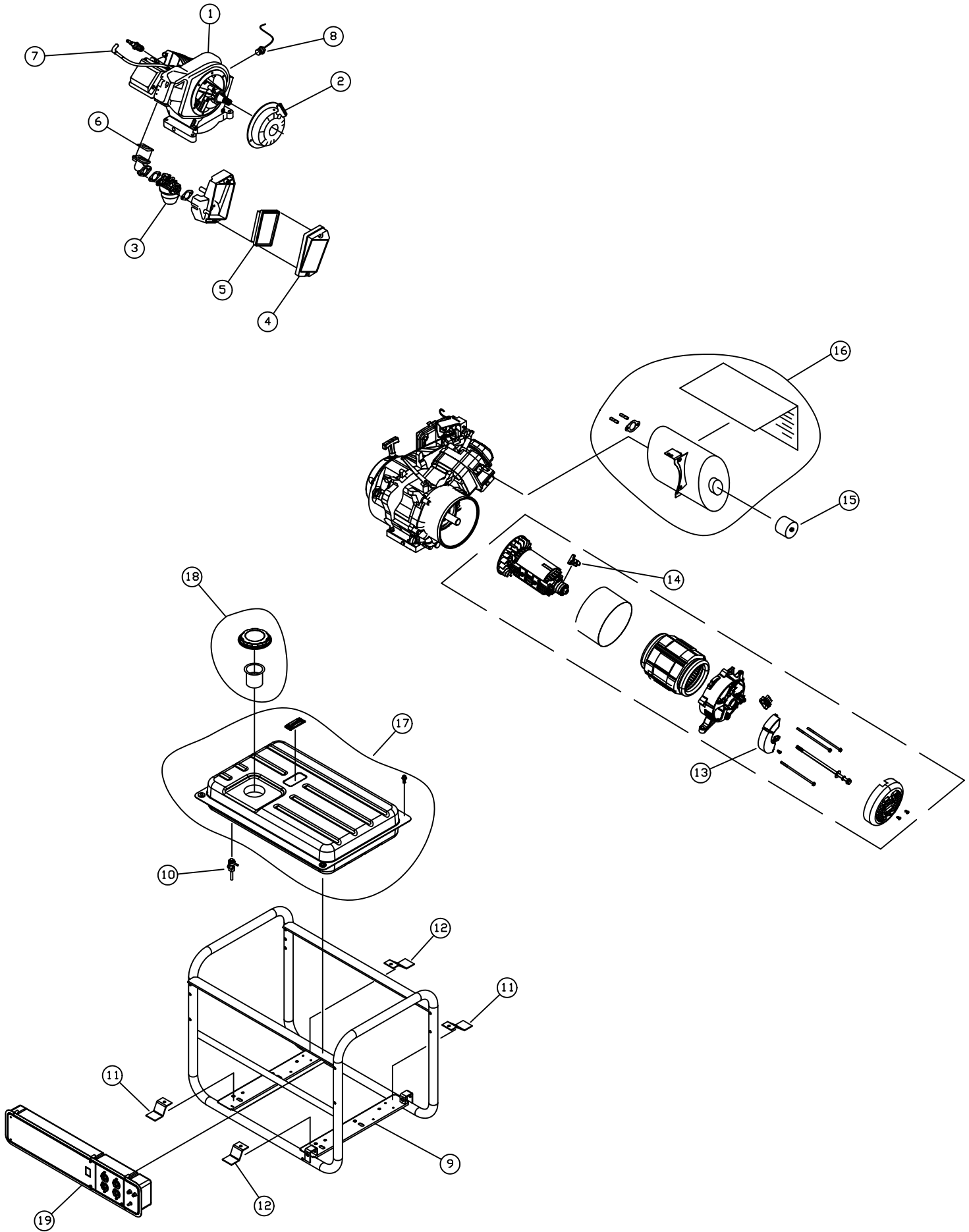


# GROUP



EXPLODED VIEW: 1800W PORTABLE

DRAWING #: 0H0609

GROUP

APPLICABLE TO:

ITEM	PART #	QTY.	DESCRIPTION
1	0H0468	1	ENGINE, 196CC
2	0H0397	1	RECOIL ASSEMBLY
3	0H0604	1	CARBURETOR
4	0H0395	1	AIR CLEANER COVER
5	0H0394	1	AIR FILTER
6	0H0399	3	CARBURETOR GASKET
7	0H0400	1	SPARK PLUG BOOT
8	0H0396	1	OIL LEVEL SENSOR
9	0H0470	1	FRAME, 1800W
10	0H0406	1	FUEL SHUTOFF VALVE
11	0H0389	2	VIBRATION MOUNT, #1
12	0H0390	2	VIBRATION MOUNT, #2
13	0H0611	1	AVR
14	0H0403	1	BRUSH ASSEMBLY
15	0H0392	1	SPARK ARRESTOR
16	0H0391	1	MUFFLER ASSEMBLY
17	0H0404	1	FUEL TANK ASSEMBLY
18	0H0405	1	FUEL TANK CAP ASSEMBLY
19	0H0202	1	CONTROL PANEL ASSEMBLY
20	0H0469	1	ASSEMBLY, ALTERNATOR 1800W