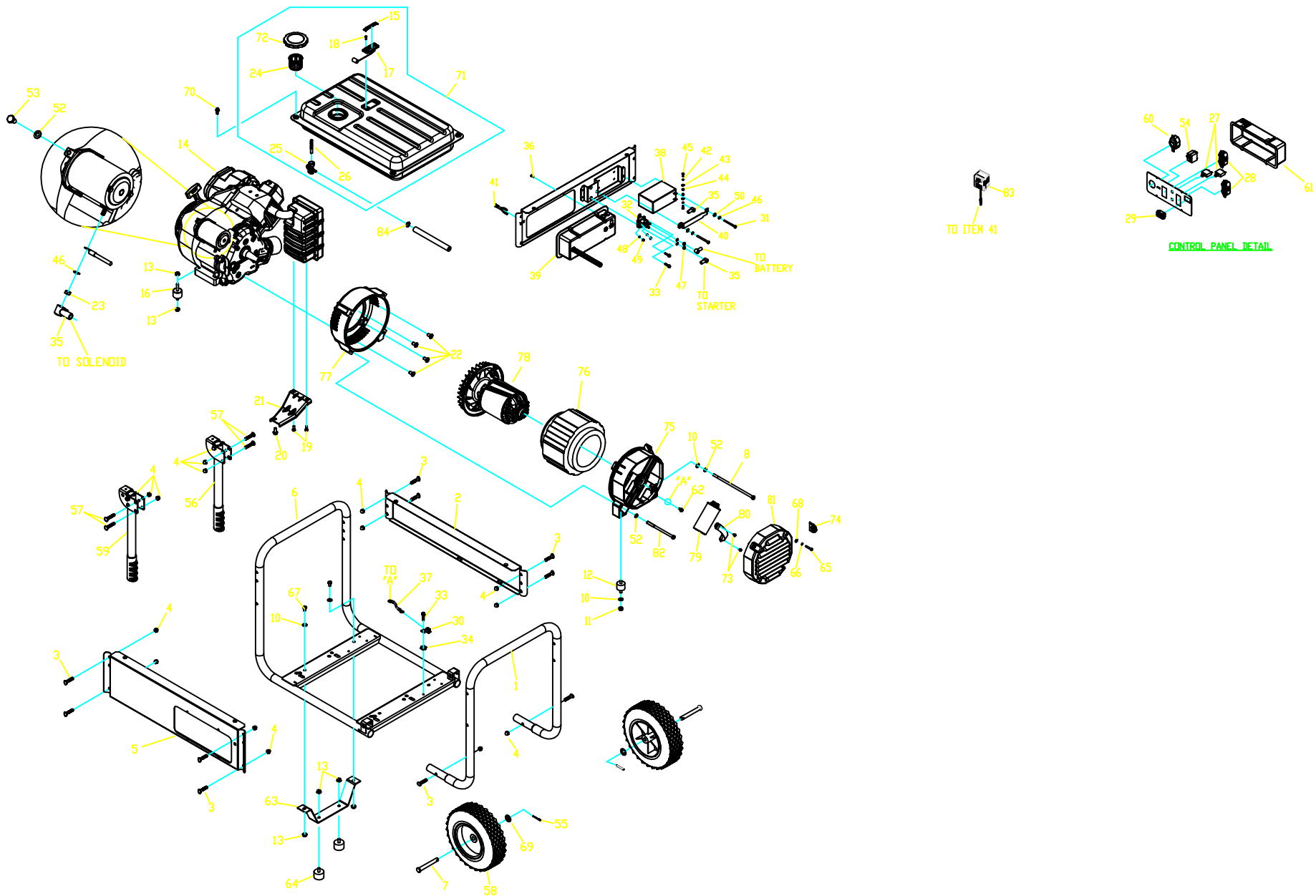


GROUP



MODEL: 005696-0
GP 8000E ELEC START CSA

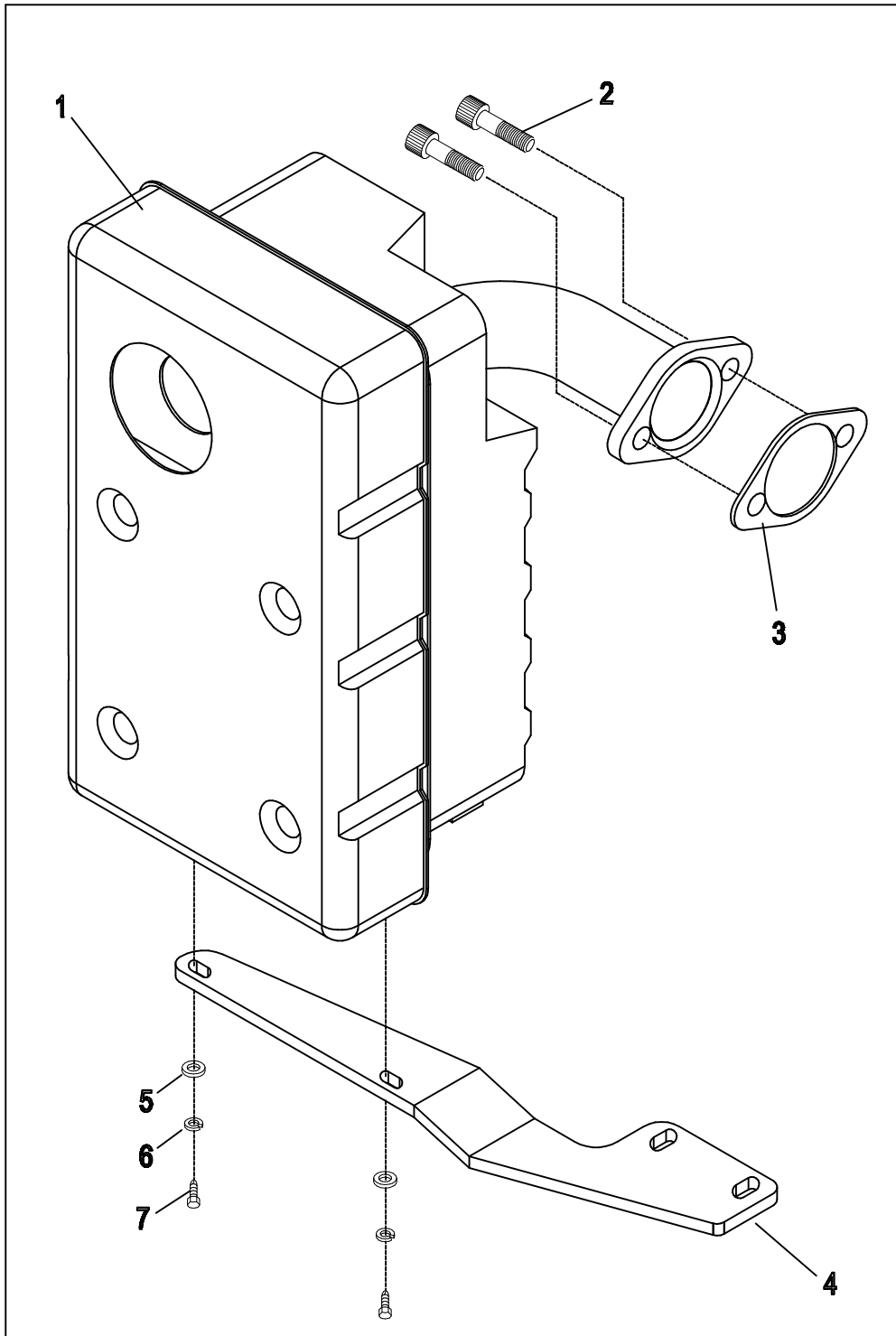
EXPLODED VIEW:

DRAWING #: 0H1252

ITEM	PART #	QTY.	DESCRIPTION	ITEM	PART #	QTY.	DESCRIPTION
1	0G8326	1	CRADLE END	51	0H0228	1	LOOSE WIRES GP PORT ELEC. START (NOT SHOWN)
2	0G8328	1	BACK RAIL	52	022129	6	WASHER, LOCK M8-5/16
3	0G8467	10	CURVED HEAD BOLT 5/16"-18 X 1.625" LONG	53	051754	1	SCREW, HHC M8-1.25 X 12
4	0G8486	16	CAP NUT 5/16"-18 ZBC	54	0G9023 C	1	CIRCUIT BREAKER, 30 A, 2P, 240V
5	0G9005	1	PANEL RAIL, ELECTRIC START	55	0D4999	2	PIN COTTER 1/8" X 1-1/4"
6	0H0168	1	ASSY, CRADLE BASE	56	0G8530 B	1	ASSY, HANDLE LH
7	0H0204	2	AXLE PIN, 1/2" X 4"	57	0H0031	4	CHB CUSTOM 5/16"-18 X 46mm LONG
8	075431	1	SCREW, IHHC 5/16"-24 X 8-1/2"	58	0G8651	2	WHEEL, 9.5" DIA PLASTIC
9	0C7649	1	CLAMP, HOSE .38-.87	59	0G8533 B	1	ASSY, HANDLE RH
10	022145	5	WASHER, FLAT 5/16"-M8 ZINC	60	0G8758	1	OUTLET, 30A 120/ 250V
11	049820	2	NUT, HEX LOCK M8-1.25 NYLON INSERT	61	0G9756	1	RECEPTACLE PANEL
12	085652	2	VIBRATION MOUNT 25 X 31.8 X M8-1.25	62	090388	1	SCREW, HHTT M6-1.0 X 12 ZINC
13	069673 J	8	NUT, LOCK FLANGE 5/16"-18	63	0H1114	1	FOOT, BENT
14	0G8805	1	ENGINE GH410 ELECTRIC START, 8 KW	64	0G8478	2	RUBBER FOOT 5/16"-18"
15	0H1359	1	PLATE, FUEL GAGE	65	020911	4	SCREW, PPHM M5-0.8 X 3.0 ZINC
16	0G9833	2	VIBRATION MOUNT 410	66	022152	4	WASHER, LOCK #10
17	0H1345 D	1	FUEL GAGE, 115mm LONG ARM	67	036223	2	SCREW, HHC 5/16"-18 X 1/2"
18	0H1357	2	SCREW, PPHM M5-0.8 X 12	68	023897	4	WASHER, FLAT #10 ZINC
19	0G0926	2	SCREW, HHFCS M6-1.0 X 16	69	022304	2	WASHER, FLAT 1/2"
20	0D4662	1	SCREW, HHTT 5/16"-18 X 3/4"	70	0G5445	4	SCREW, HHTT M8-1.25 X 20
21	0G1746	1	BRACKET, MUFFLER 8KW	71	0G8489	1	FUEL TANK
22	030205	4	SCREW FHSC 3/8"-16 X 1/2" W/LOCK	72	0H1325A	1	FUEL CAP, VENTED
23	049813	1	NUT, HEX M6-1.0	73	0F4795	2	SCREW, PPHM M4-0.7 X 10
24	0H1326	1	FUEL FILTER	74	0G5206	1	GROMMET, WIRE SLEEVE
25	0H1684	1	VALVE, FUEL SHUTOFF	75	0G2398	1	BEARING CARRIER REAR
26	0H1613	1	FILTER, FUEL VALVE	76	0G5457 C	1	STATOR, 8Kw
27	0H0265 C	2	CIRCUIT BREAKER, 20A, 1P, 120V	77	0G2397	1	ENGINE ADAPTOR HOUSING
28	0G8507	2	OUTLET, 20A 120V DUPLEX	78	0G5211 C	1	ASSY, ROTOR 8k W 30mm LAMINATIONS
29	0G8321	1	HOUR METER W/ALERTS AC/DC	79	0G5958	1	CAPACITOR
30	055414	1	LUG, SOLDERLESS #2-#8 X 17/64 CU	80	0G5088	1	CLAMP, CAPACITOR
31	055816	2	SCREW, HHC M6-1.0 X 7.0	81	0G5002	1	COVER, ALTERNATOR INLET
32	086729	1	CONTACTOR, STARTER SOLENOID	82	0G5148	4	SCREW, IHHC M8-1.25 X 140 G8.8
33	092079	3	SCREW, HHTT M6-1.0 X 25 BP	83	0G5744	1	CHARGER, AC ADAPTOR 12VDC PLUG
34	0A1658	1	WASHER, LOCK SPECIAL 1/4"	84	0C7649	1	CLAMP HOSE 0.38-0.87
35	0G6392	2	BOOT, VINYL-STARTER CONTACTOR				
36	0G8382	4	SCREW, PPHM #8-16 X .66" BZC				
37	0G8753 C	1	ASSY, GROUND WIRE ALTERNATOR TO BASE				
38	0G9449	1	BATTERY, 12V 10Ah				
39	0G9892 F	1	ASSY, CSA PANEL 30A 2-POLE				
40	0G9882	1	BRACKET, BATTERY HOLDER				
41	0H0025	1	ASSEMBLY, 12VDC POWER JACK W/LUGS				
42	022152	2	WASHER, LOCK #10				
43	023897	2	WASHER, FLAT #10 ZINC				
44	051716	2	NUT, HEX M5-0.8				
45	052618	2	SCREW, HHC M5-0.8 X 12				
46	022097	3	WASHER, LOCK M6-1/4"				
47	022127	2	NUT, HEX 1/2"-20				
48	022264	2	WASHER, LOCK #8-M4				
49	022471	2	NUT, HEX #8-32				
50	022473	2	WASHER, FLAT 1/4"-M6 ZINC				

APPLICABLE TO:

MUFFLER OPTION
ENGINE PRODUCTION LEVEL 9E



**EXPLODED VIEW: MUFFLER, 410 SIDE OUT
DRAWING #: 0E5081 REV. B**

GROUP

APPLICABLE TO:

ITEM	PART #	QTY.	DESCRIPTION
1	0E5223A	1	MUFFLER, 410 SIDE-OUT ALUMINIZED
2	0G3730	2	SCREW SHC M8-1.25 X 20 SEMS
3	090239	1	GASKET, EXHAUST
4	0E6047	1	BRACKET, GH410 MUFFLER SUPPORT
5	022473	2	WASHER FLAT ¼ - M6 ZINC
6	022097	2	WASHER LOCK M6 - ¼
7	043146	2	SCREW HHC M6-1.0 X 10 G8.8