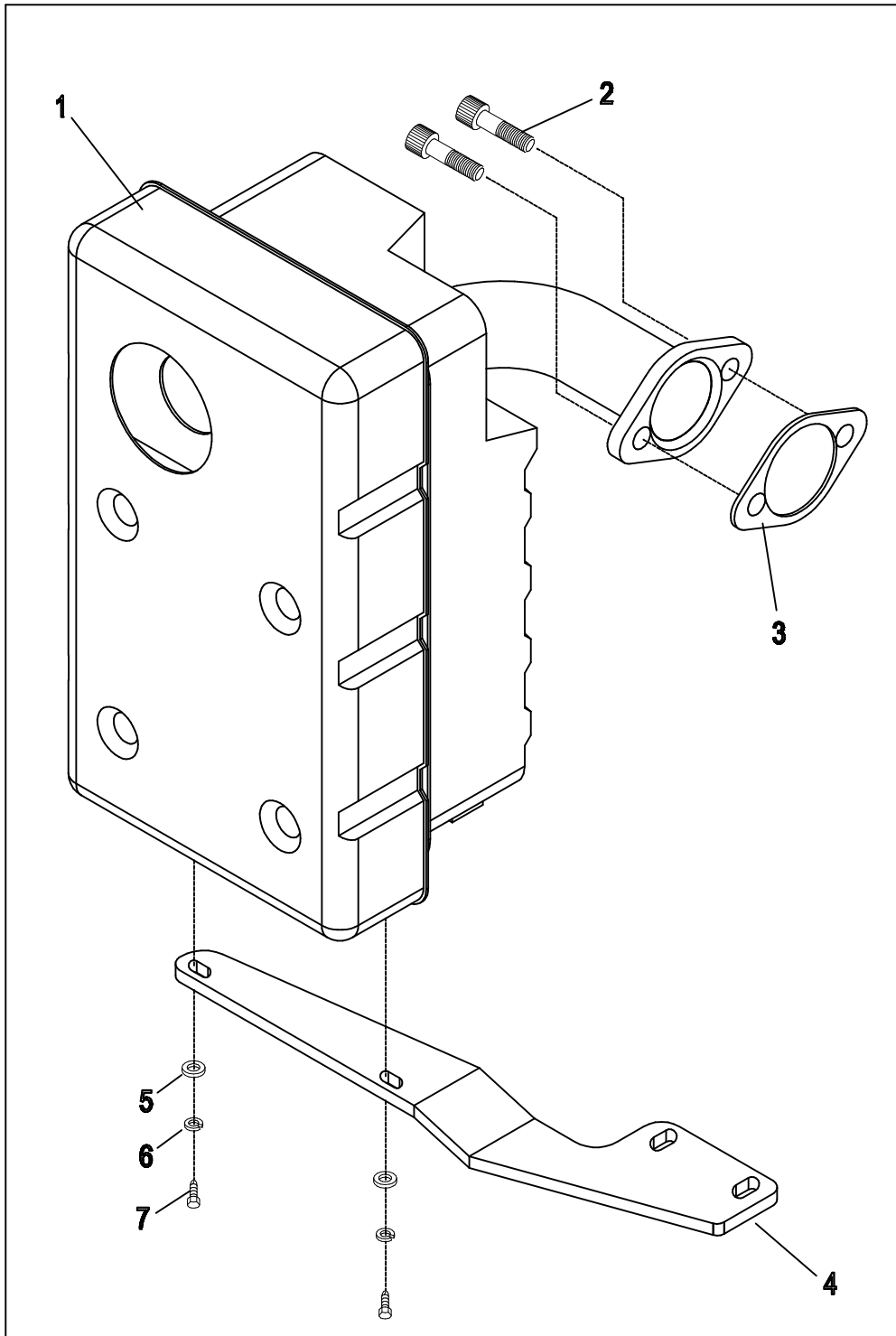


APPLICABLE TO:

MUFFLER OPTION
ENGINE PRODUCTION LEVEL 9E



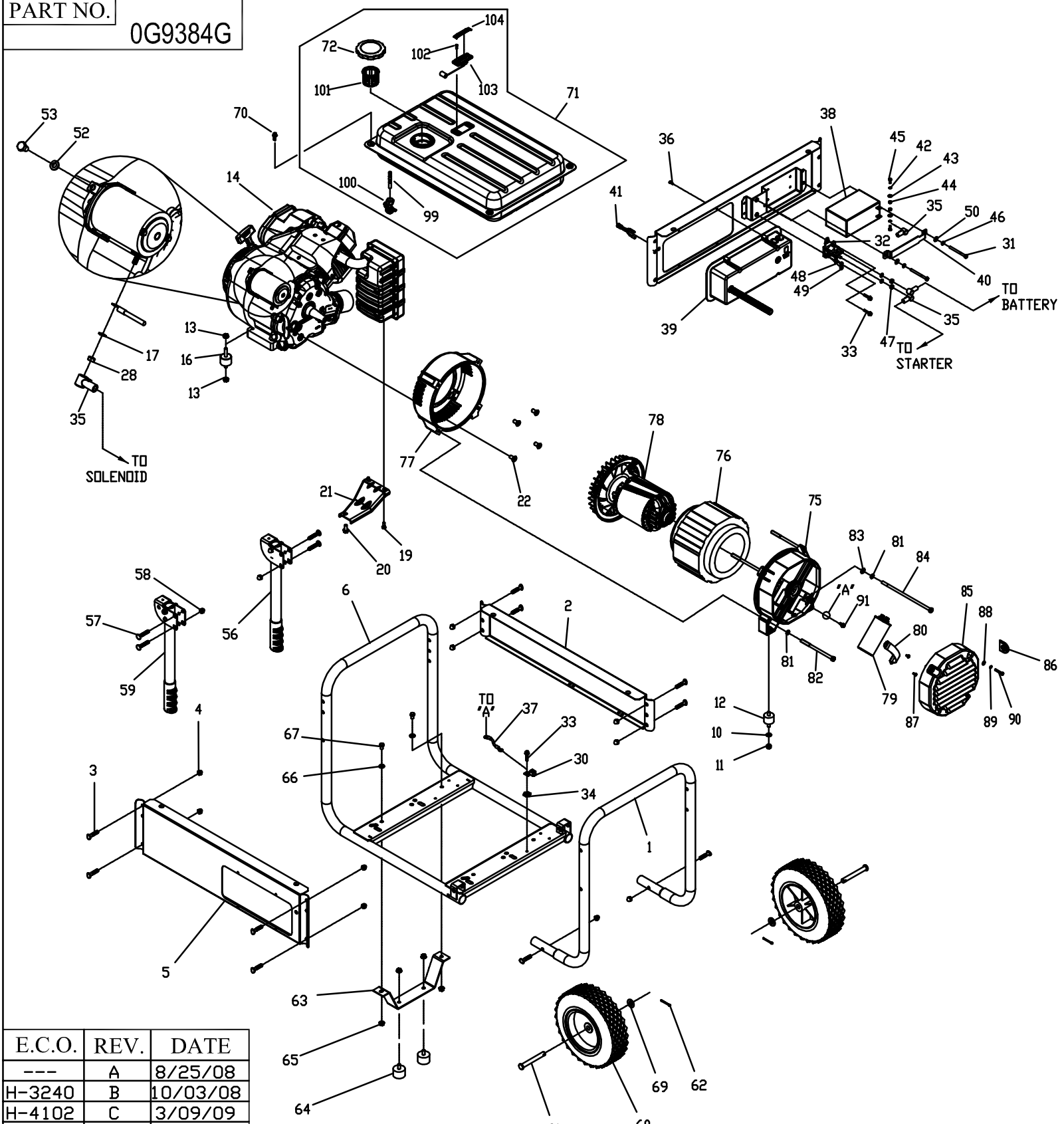
**EXPLODED VIEW: MUFFLER, 410 SIDE OUT
DRAWING #: 0E5081 REV. B**

GROUP

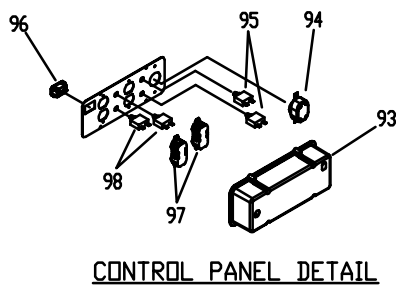
APPLICABLE TO:

ITEM	PART #	QTY.	DESCRIPTION
1	0E5223A	1	MUFFLER, 410 SIDE-OUT ALUMINIZED
2	0G3730	2	SCREW SHC M8-1.25 X 20 SEMS
3	090239	1	GASKET, EXHAUST
4	0E6047	1	BRACKET, GH410 MUFFLER SUPPORT
5	022473	2	WASHER FLAT ¼ - M6 ZINC
6	022097	2	WASHER LOCK M6 - ¼
7	043146	2	SCREW HHC M6-1.0 X 10 G8.8

PART NO. 0G9384G



ITEM	PART #	QTY.	DESCRIPTION	ITEM	PART #	QTY.	DESCRIPTION
1	0G8326	1	CRADLE END	58	0G8486	2	CAP NUT LOCKING 5/16"-18 ZBC
2	0G8328	1	BACK RAIL	59	0G8538	1	ASSY HANDLE RH
3	0G8467	10	CURVED HEAD BOLT 5/16"-18 X 1.625" LONG	60	0G851	2	WHEEL, 9 DIA, PLASTIC
4	0G8466	10	CAP NUT 5/16"-18 ZBC	61	0H0204	2	AXLE PIN 1/2" X 4", 3/4" HEAD
5	0G9005	1	PANEL RAIL, ELECTRIC START	62	0D4999	2	PIN COTTER 1/8" X 1-1/4"
6	0H0168	1	ASSY, CRADLEBASE	63	0H1114	1	FOOT, BENT
9	0C7649	1	CLAMP, HOSE 3/8-37	64	0G8478	2	RUBBER FOOT 5/16"-18"
10	022145	2	WASHER, FLAT 5/16"-M8 ZINC	66	022146	2	WASHER, FLAT 5/16"-M8 ZINC
11	049820	2	NUT, HEX LOCK M8-1.25 NYLON INSERT	67	036223	2	SCREW, HHC 5/16"-18 X 1/2"
12	085652	2	VIBRATION MOUNT 25 X31.8 XM 8-1.25	69	022304	2	WASHER, FLAT 1/2"
13	069673J	8	NUT, LOCK FLANGE 5/16"-M8	70	0G5445	4	SCREW, HHIT M8-1.25 X 20
14	0G8805	1	ENGINE GH410 ELECTRIC START, 8KW	71	0G8489	1	FUEL TANK
16	0G9833	2	VIBRATION MOUNT 410	72	0H1325A	1	FUEL CAP, VENTED
19	0G0326	2	SCREW, HHFCS M6-1.0 X 16	75	0G2398	1	BEARING CARRIER REAR
20	0D4662	1	SCREW, HHIT 5/16"-18 X 3/4"	76	0G547C	1	STATOR, 8kw
21	0G1746	1	BRACKET, MUFFLER 8KW	77	0G2397	1	ENGINE ADAPTOR HOUSING (CASTING)
22	030205	4	SCREW, FHSC 3/8"-46 X 3/4" W/LOCK	78	0G5211C	1	ASSY, ROTOR 8Kw 230mm LAMINATIONS
23	049813	1	NUT, HEX M 6-1.0	79	0G8858	1	CAPACITOR
30	055414	1	LUG, SOLDERLESS #2-#8 X 1764 CU	80	0G5088	1	CLAMP, CAPACITOR
31	055816	2	SCREW, HHC M 6-1.0 X 70	81	022129	5	WASHER, LOCK M8-5/16
32	086729	1	CONTACTOR, STARTER SOLENOID	82	0G5148	4	SCREW, IHC M8-1.25 X 140 G8.8
33	092079	1	SCREW, HHIT M6-1.0 X 25 BP	83	022146	1	WASHER, FLAT 5/16"-M8 ZINC
34	0A4658	1	WASHER, LOCK SPECIAL 1/2"	84	075431	1	SCREW, IHC 5/16"-24 X 8-1/2"
35	0G6382	2	BOOT, VINYL-STARTER CONTACTOR	85	0G3002	1	COVER, ALTERNATOR INLET
36	0G8382	4	SCREW, PP PH #8-16 X .66" BZC	86	0G3206	1	GROMMET, WIRE SLEEVE
37	0G8753C	1	ASSY, GROUND WIRE ALTERNATOR TO BASE	87	0F4795	2	SCREW, PPH M4-0.7 X 10
38	0G9449	1	BATTERY, 12V 10Ah	88	023897	4	WASHER, FLAT #10 ZINC
39	0G9776B	1	RECEPTACLE PANEL, 30A RND WHR MTR	89	022152	4	WASHER, LOCK #10
40	0G9882	1	BRACKET, BATTERY HOLDER	90	020911	4	SCREW, PPH M5-0.8 X 30 ZINC
41	0H0025	1	ASSEMBLY, 12VDC POWER JACK W/LUGS	91	090388	1	SCREW, HHIT M6-1.0 X 12 ZINC
42	022152	2	WASHER, LOCK #10	93	0G9756	1	RECEPTACLE PANEL
43	023897	2	WASHER, FLAT #10 ZINC	94	0G8758	1	OUTLET, 30A 120/250V
44	051716	2	NUT, HEX M 5-0.8	95	0H0265D	2	CIRCUIT BREAKER, 30A, 1P, 120V
45	052618	2	SCREW, HHC M 5-0.8 X 12	96	0G8321	1	HOUR METER W/ALERTS A.C.D.C
46	022097	4	WASHER, LOCK M 6-1/4"	97	0G8607	2	OUTLET, 20A 120V DUPLEX
47	022127	2	NUT, HEX 1/2"-20	98	0H0265C	2	CIRCUIT BREAKER, 20A, 1P, 120V
48	022264	2	WASHER, LOCK #8-M4	99	0H1613	1	FILTER, FUEL VALVE
49	022471	2	NUT, HEX #8-32	100	0H1684	1	VALVE, FUEL SHUTOFF
50	022473	2	WASHER, FLAT 1/2" M 6 ZINC	101	0H1326	1	FUEL FILTER
51	0H0228	1	LOOSE WIRE SUPPORT ELEC. START	102	0H1357	2	SCREW, PPH M 5-0.8 X 12
52	022129	1	WASHER, LOCK M 8 5/16	103	0H1345D	1	FUEL GAGE, 115mm LONG ARM
53	051754	1	SCREW, HHC M 8-1.25 X 12	104	0H1359	1	PLATE, FUEL GAGE
55	0G8470B	1	ACC KIT ELECTRIC				
56	0G8530B	1	ASSY, HANDLE LH				
57	0H0031	4	CHB CUSTOM 5/16"-18 X 46mm LONG				



E.C.O.	REV.	DATE
---	A	8/25/08
H-3240	B	10/03/08
H-4102	C	3/09/09
H-5028	D	7/30/09
H-5141	E	9/29/09
H-6252	F	3/16/10

MODEL: 005681-0
GP 8000E ELEC START

DO NOT SCALE

GROUP

EXPLODED VIEW:		GP 8000E PORTABLE		GENERAC POWER SYSTEMS	
DRAWN BY:	DREW	DATE:	8/25/08	P.O. BOX 8 WAUKESHA, WIS. 53186	
CHECKED BY:	K MAHAN	DATE:	9/11/08	FIRST USE:	05681-0
APPROVED BY:	PDW	DATE:	9/11/08	PART NO.:	0G9384G
RELEASED FOR PRODUCTION BY:	PETER WINNIE	DATE:	9/11/08	REV.:	F