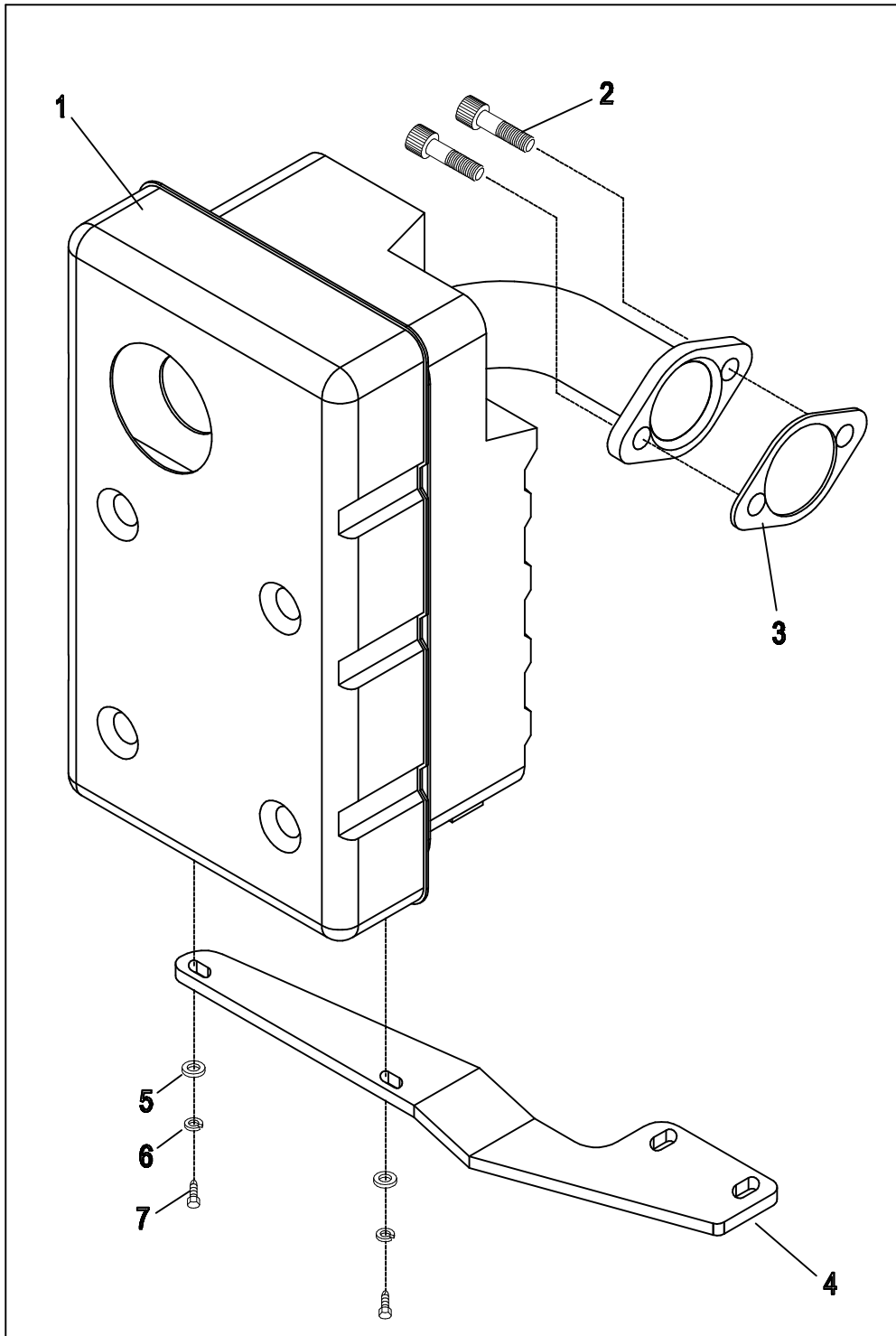


APPLICABLE TO:

MUFFLER OPTION  
ENGINE PRODUCTION LEVEL 9E



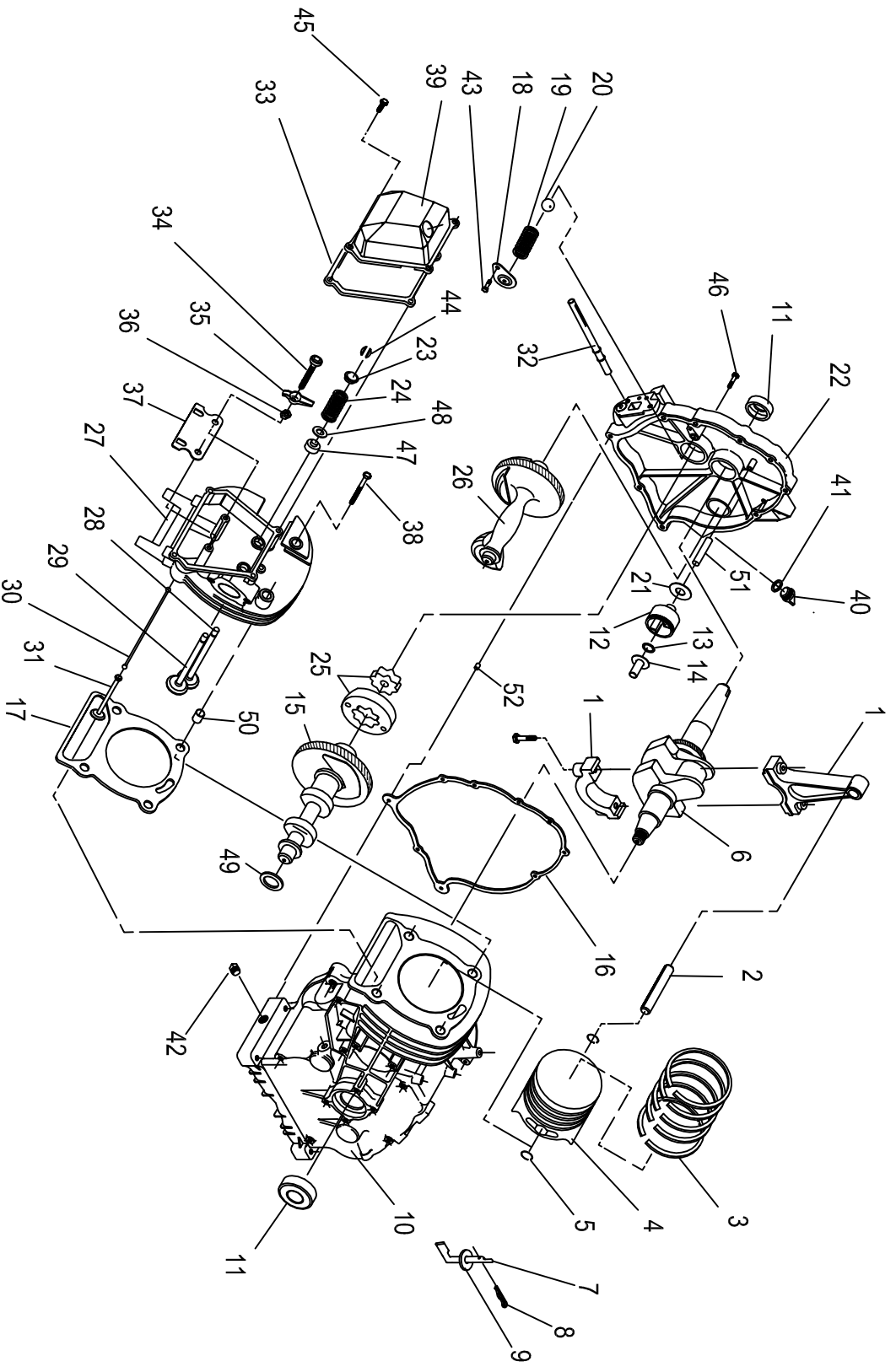
**EXPLODED VIEW: MUFFLER, 410 SIDE OUT  
DRAWING #: 0E5081 REV. B**

**GROUP**

**APPLICABLE TO:**

| <b>ITEM</b> | <b>PART #</b> | <b>QTY.</b> | <b>DESCRIPTION</b>               |
|-------------|---------------|-------------|----------------------------------|
| 1           | 0E5223A       | 1           | MUFFLER, 410 SIDE-OUT ALUMINIZED |
| 2           | 0G3730        | 2           | SCREW SHC M8-1.25 X 20 SEMS      |
| 3           | 090239        | 1           | GASKET, EXHAUST                  |
| 4           | 0E6047        | 1           | BRACKET, GH410 MUFFLER SUPPORT   |
| 5           | 022473        | 2           | WASHER FLAT ¼ - M6 ZINC          |
| 6           | 022097        | 2           | WASHER LOCK M6 - ¼               |
| 7           | 043146        | 2           | SCREW HHC M6-1.0 X 10 G8.8       |

# GROUP D



## EXPLODED VIEW: LONG BLOCK REPAIR PARTS

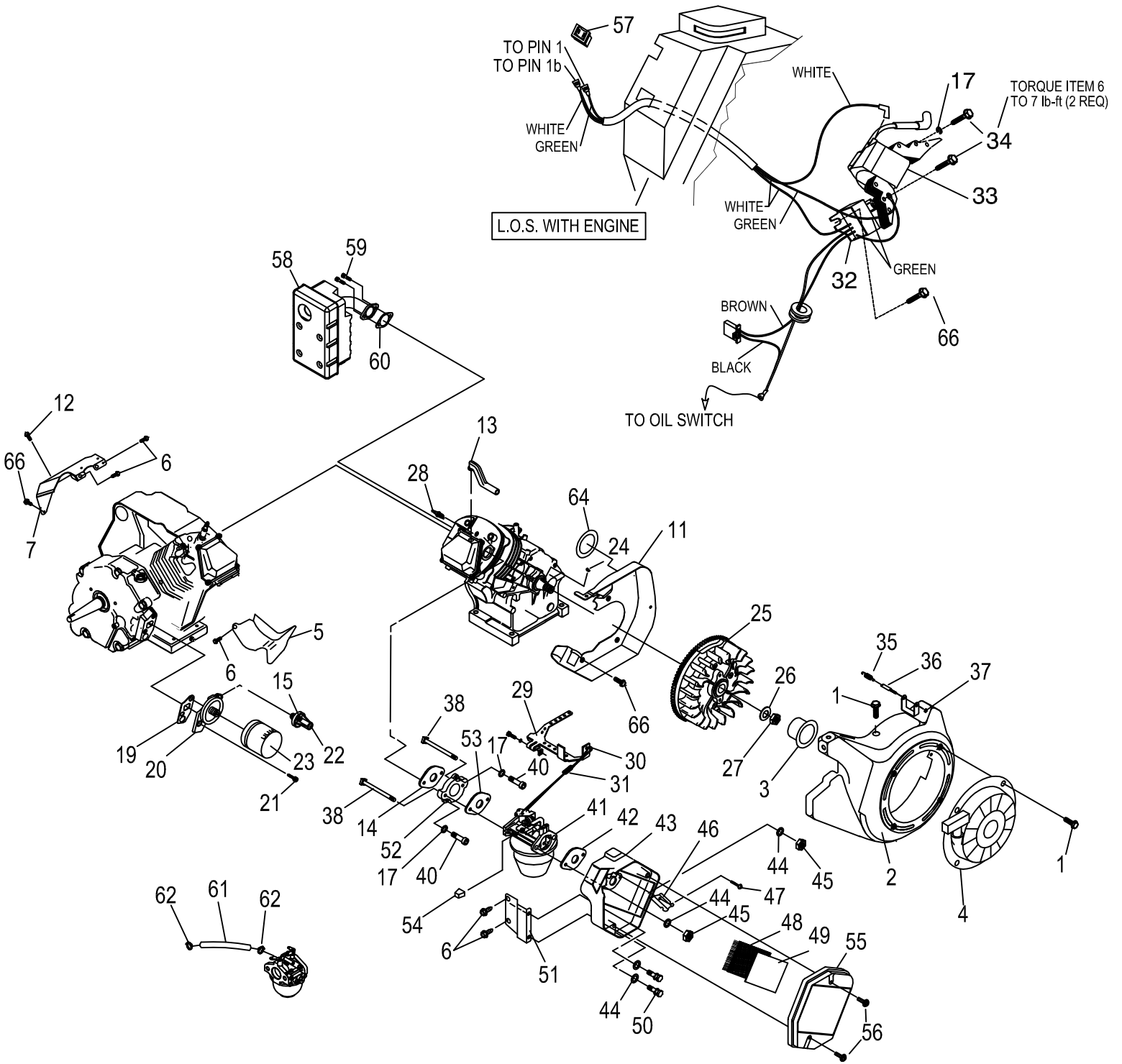
DRAWING #: 0H0740

APPLICABLE TO: 0G8804

GROUP D

| ITEM | PART #  | QTY. | DESCRIPTION                               |
|------|---------|------|---|
| 1    | 0E3221  | 1    | ASSEMBLY, CONNECTING ROD                  |
| 2    | 0E1466  | 1    | PIN, PISTON D20                           |
| 3    | 0G2565  | 1    | RING SET, PISTON Ø90                      |
| 4    | 0G2751  | 1    | PISTON, FLAT TOP Ø90 COATED               |
| 5    | 071983  | 2    | RETAINER, PISTON PIN 20                   |
| 6    | 0E8440  | 1    | ASSEMBLY, CRANKSHAFT GH410 TAPER          |
| 7    | 0A7628  | 1    | ARM, GOVERNOR RC45                        |
| 8    | 0H9038  | 1    | PIN COTTER "R" .059 X 1/4 X 1-1/8         |
| 9    | 078659  | 2    | WASHER, GOVERNOR ARM THRUST               |
| 10   | 0H0165C | 1    | CRANKCASE, SUBASSEMBLY WITH PLUGS GH410   |
| 11   | 0E3812  | 2    | SEAL, 35 I.D. CRANKSHAFT                  |
| 12   | 0E6519  | 1    | ASSEMBLY, GOVERNOR GEAR                   |
| 13   | 078645  | 1    | C-RING, GOVERNOR GEAR RETAINER            |
| 14   | 0A7811  | 1    | SPOOL, GOVERNOR- MACHINE                  |
| 15   | 0A9877  | 1    | ASSEMBLY, CAMSHAFT & GEAR                 |
| 16   | 076701  | 1    | GASKET , CRANKCASE                        |
| 17   | 021713B | 1    | GASKET, HEAD 410                          |
| 18   | 078691  | 1    | COVER, OIL PRESSURE RELIEF                |
| 19   | 0A5771  | 1    | SPRING, OIL RELIEF 360                    |
| 20   | 0A5776  | 1    | BALL, DIA 11/32 PRESSURE RELIEF           |
| 21   | 076361  | 1    | WASHER, THRUST GOVERNOR GEAR              |
| 22   | 0G4233A | 1    | ASSEMBLY, COVER, GEAR TOP CHECK/ FILL     |
| 23   | 0D2274  | 2    | RETAINER, VALVE SPRING                    |
| 24   | 0C4391  | 2    | VALVE SPRING LF                           |
| 25   | 086025  | 1    | SET, GEROTOR 12 THK                       |
| 26   | 0E3341  | 1    | BALANCER                                  |
| 27   | 0G6791  | 1    | ASSEMBLY, CYLINDER HEAD SEATS & GUIDES    |
| 28   | 086516  | 1    | VALVE, EXHAUST                            |
| 29   | 086517  | 1    | VALVE, INTAKE                             |
| 30   | 0D9853B | 2    | PUSH ROD 174.9                            |
| 31   | 083897  | 2    | TAPPET                                    |
| 32   | 077158  | 1    | ASSEMBLY, SCREEN OIL PICK-UP              |
| 33   | 0C3150  | 1    | GASKET, ROCKER COVER 410                  |
| 34   | 072694  | 2    | STUD, D20 PIVOT BALL                      |
| 35   | 083907  | 2    | ROCKER ARM                                |
| 36   | 0D3998  | 2    | NUT, JAM (ROCKER ARM)                     |
| 37   | 078694  | 1    | PLATE, PUSH ROD GUIDE                     |
| 38   | 021742  | 4    | SCREW, HHFL M10-1.5 X 105                 |
| 39   | 0D6094  | 1    | ASSEMBLY, ROCKER COVER BREATHER OHV1      |
| 40   | 076329A | 1    | PLUG, OIL FILL PLSTC, ORANGE              |
| 41   | 0E0057  | 1    | O-RING 17.8 I.D. x 2.4                    |
| 42   | 0D4788  | 1    | PLUG, STANDARD PIPE 3/8 STEEL SQUARE HEAD |
| 43   | 074908  | 1    | SCREW, TAPTITE M5-0.8 X 10 BP             |
| 44   | 086515  | 4    | KEEPER, VALVE SPRING                      |
| 45   | 0G0919  | 4    | SCREW HHFCS M6-1 X 12 G8.8                |
| 46   | 0A1442  | 8    | SCREW, HHFC M8-1.25 X 42                  |
| 47   | 078672  | 1    | SEAL, VALVE STEM D7                       |
| 48   | 089673  | 2    | WASHER, VALVE SPRING                      |
| 49   | 0B2104  | 1    | WASHER, LARGE SPRING                      |
| 50   | 078699C | 2    | SLEEVE, DOWEL PIN 14 DIA.                 |
| 51   | 0A7627  | 1    | SHAFT, GOVERNOR RC55                      |
| 52   | 078699B | 2    | SLEEVE, DOWEL PIN 12 DIA.                 |

# GROUP D



## EXPLODED VIEW: ENGINE PARTS

DRAWING #: 0H0740

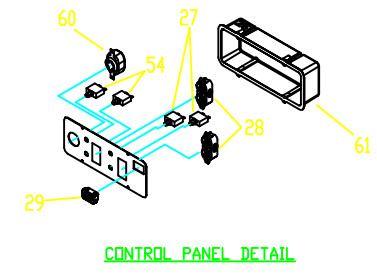
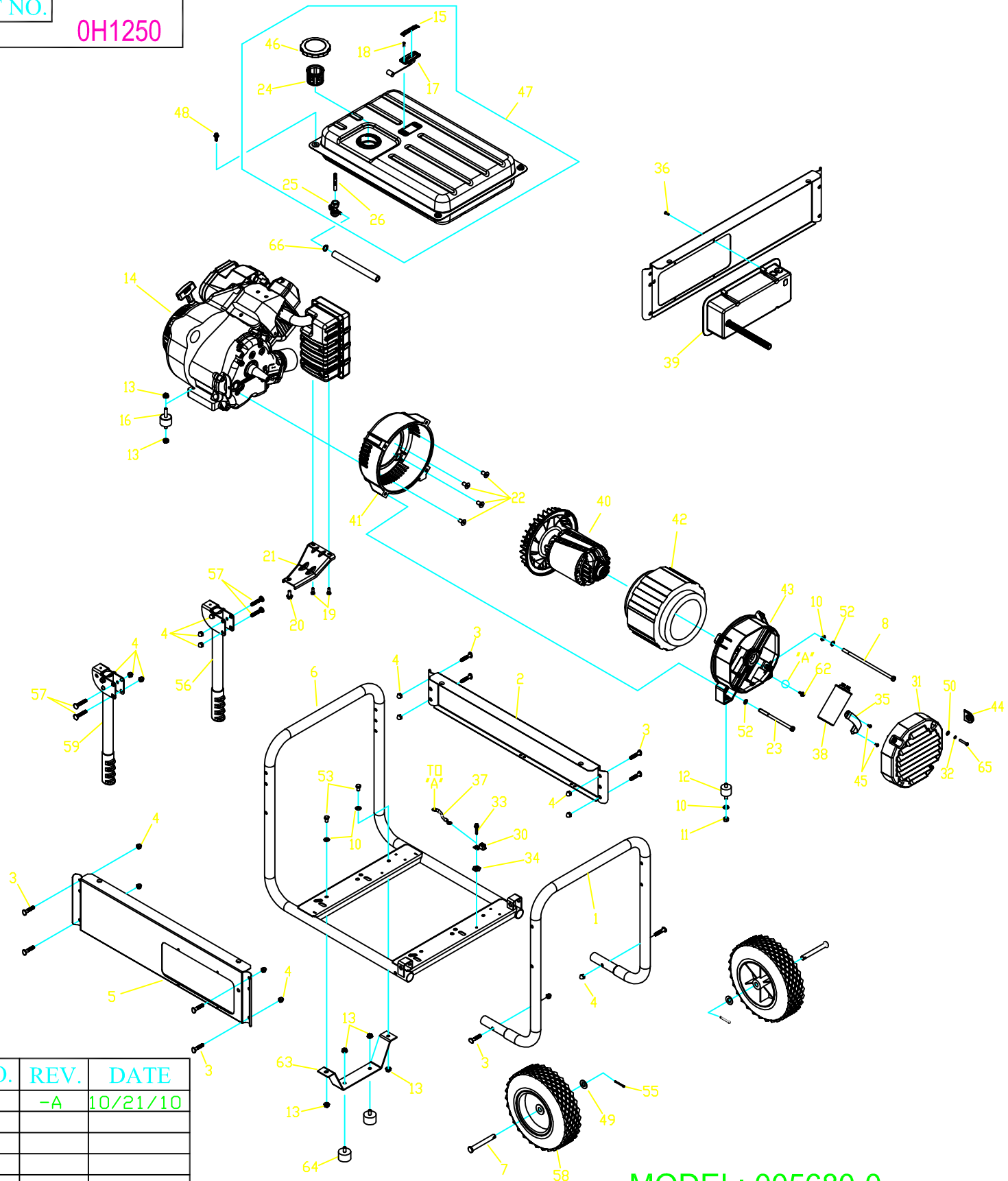
APPLICABLE TO: 0G8804

## GROUP D

| ITEM | PART #  | QTY. | DESCRIPTION                                | ITEM | PART #  | QTY. | DESCRIPTION                      |
|------|---------|------|--|------|---------|------|----------------------------------|
| 1    | 0C1069  | 9    | SCREW HHTT M6-1.0 X 8 ZYC                  | 56   | 078609  | 2    | BOLT, AIR CLEANER COVER          |
| 2    | 0G5643  | 1    | ASSEMBLY, BLOWER HOUSING                   | 57   | 0G5473  | 1    | SWITCH, ENGINE RUN-STOP          |
| 3    | 0E9521  | 1    | PULLEY STARTER LARGE FRAME                 | 58   | 0E5223A | 1    | MUFFLER, 410 SIDE-OUT ALUMINIZED |
| 4    | 0E9483  | 1    | RECOIL STARTER LARGE FRAME                 | 59   | 040976  | 2    | SCREW, SHC M8-1.25 X 20 G12.9    |
| 5    | 088434  | 1    | WRAPPER, BOTTOM 12 HP HS                   | 60   | 090239  | 1    | GASKET, EXHAUST                  |
| 6    | 045756  | 4    | SCREW HHTT M6-1.0 X 10 YELLOW CHROME       | 61   | 0F9176D | 1    | HOSE, 1/4" SAE30R7 SETIFLEX 6"   |
| 7    | 0C4176A | 1    | WRAPPER, TOP REGULAR STEEL                 | 62   | 048031C | 2    | CLAMP, HOSE BAND 1/2"            |
| -    | -       | -    | -  | 63   | -       | -    | -                                |
| -    | -       | -    | -  | 64   | 077704E | 1    | PLUG PLASTIC 1.875               |
| -    | -       | -    | -  | 66   | 0E1552  | 6    | SCREW HHFC M6-1.0 X 12           |
| 11   | 073116A | 1    | BACKPLATE, W/ ELECTRIC START               |      |         |      |                                  |
| 12   | 083512  | 1    | SCREW, HHTT M8-1.25 X 16 YELLOW CHROME     |      |         |      |                                  |
| 13   | 0D7199A | 1    | HOSE, BREATHER GH410 ENGINES               |      |         |      |                                  |
| 14   | 091039  | 1    | GASKET, INTAKE ADAPTER                     |      |         |      |                                  |
| 15   | 036916  | 2    | SCREW PPHM #8-32 X 1/4                     |      |         |      |                                  |
| 16   | 087858N | 1    | ASSEMBLY, WIRE #0-4.5" LONG<br>(NOT SHOWN) |      |         |      |                                  |
| 17   | 022097  | 2    | WASHER, LOCK M6-1/4                        |      |         |      |                                  |
| -    | -       | -    | -  |      |         |      |                                  |
| 19   | 086999  | 1    | GASKET, OIL FILTER ADAPTER                 |      |         |      |                                  |
| 20   | 0D5667A | 1    | ADAPTER, OIL FILTER NO TAPPED HOLES        |      |         |      |                                  |
| 21   | 049821  | 2    | SCREW, SHC M8-1.25 X 30 G12.9              |      |         |      |                                  |
| 22   | 0D9235  | 1    | SWITCH, HOBBS OIL PRESSURE 5PSI            |      |         |      |                                  |
| 23   | 070185D | 1    | FILTER OIL 75MM NO LOGO                    |      |         |      |                                  |
| 24   | 082774  | 1    | KEY, WOODRFF 4 X 19D                       |      |         |      |                                  |
| 25   | 091222C | 1    | FLYWHEEL, WITH RING GEAR 27 DEGREE         |      |         |      |                                  |
| 26   | 067198N | 1    | WASHER, BELV-20 X 2.2                      |      |         |      |                                  |
| 27   | 067890  | 1    | NUT HEX M20-1.5 G8 YLW CHROME - FLYWHEEL   |      |         |      |                                  |
| 28   | 0E7585  | 1    | SPARKPLUG, CHAMPION RC14YC                 |      |         |      |                                  |
| 29   | 072734  | 1    | ASSEMBLY, GOVERNOR LEVER 12HP              |      |         |      |                                  |
| 30   | 072735  | 1    | ROD, GOVERNOR CONTROL                      |      |         |      |                                  |
| 31   | 0C3978  | 1    | SPRING, ANTI-LASH                          |      |         |      |                                  |
| 32   | 087221C | 1    | ASSEMBLY, LOS MODULE                       |      |         |      |                                  |
| 33   | 0G9241  | 1    | ASSEMBLY, IGNITION ADV NO DIODE GH410      |      |         |      |                                  |
| 34   | 080318  | 2    | SCREW HHFC M6-1.0 X 25                     |      |         |      |                                  |
| 35   | 073100  | 1    | SPRING GOVERNOR 320/360/410                |      |         |      |                                  |
| 36   | 083502  | 1    | BOLT, GOVERNOR ADJUSTMENT M5               |      |         |      |                                  |
| 37   | 082025  | 1    | NUT, HEX LOCK M5-0.8 NYLON INSERT ZINC     |      |         |      |                                  |
| 38   | 081647  | 2    | BOLT, CARBURETOR MOUNTING                  |      |         |      |                                  |
| 40   | 040945  | 2    | SCREW, SHC M6-1.0 X 20 G12.9 ZINC PLATED   |      |         |      |                                  |
| 41   | 0A4600  | 1    | CARBURETOR, 410HS                          |      |         |      |                                  |
| 42   | 090970  | 1    | GASKET, AIR CLEANER                        |      |         |      |                                  |
| 43   | 0G5630A | 1    | BASE, AIR CLEANER 410 HI FLOW              |      |         |      |                                  |
| 44   | 049811  | 4    | WASHER, FLAT M6                            |      |         |      |                                  |
| 45   | 0B2236  | 2    | NUT, HEX LOCK M6-1.0 NYLON INSERT          |      |         |      |                                  |
| 46   | 091204  | 1    | PLATE, SPITBACK                            |      |         |      |                                  |
| 47   | 059635  | 1    | SCREW, PLASTITE #8 X .37 LONG              |      |         |      |                                  |
| 48   | 073111  | 1    | ELEMENT, AIR FILTER                        |      |         |      |                                  |
| -    | -       | -    | -  |      |         |      |                                  |
| 50   | 079246  | 2    | SCREW, HHC M6-1.0 X 16 W/ LOCK WASHER      |      |         |      |                                  |
| 51   | 090827  | 1    | BRACKET, AIR CLEANER                       |      |         |      |                                  |
| 52   | 091028  | 1    | ADAPTER, "K"                               |      |         |      |                                  |
| 53   | 089228  | 1    | GASKET, CARBURETOR/MANIFOLD                |      |         |      |                                  |
| 54   | 083504  | 1    | KNOB, CHOKE LEVER                          |      |         |      |                                  |
| 55   | 073104B | 1    | COVER, AIR CLEANER 13GN                    |      |         |      |                                  |

\* = NOT SHOWN IN EV

PART NO. **0H1250**



| ITEM | PART #  | QTY. | DESCRIPTION                             | ITEM | PART #  | QTY. | DESCRIPTION                                 |
|------|---------|------|---|------|---------|------|---|
| 1    | 0G8326  | 1    | CRADLE END                              | 51   | 0H0228  | 1    | LOOSE WIRES GP PORT ELEC. START (NOT SHOWN) |
| 2    | 0G8328  | 1    | BACK RAIL                               | 52   | 022129  | 5    | WASHER, LOCK M8-5/16                        |
| 3    | 0H1790  | 10   | CURVED HEAD BOLT M8-1.25 X 42mm LONG    | 53   | 042907  | 2    | SCREW, HHC M8-1.25 X 16                     |
| 4    | 0H1782  | 10   | CAP NUT M8-1.25                         | 54   | 0H0265E | 2    | CIRCUIT BREAKER 30A 1P 120V                 |
| 5    | 0G8327  | 1    | PANEL RAIL                              | 55   | 0D4999  | 2    | PIN COT TER 1/8" X 1-1/4"                   |
| 6    | 0H0168  | 1    | ASSY, CRADLE BASE                       | 56   | 0H1828B | 1    | ASSY, HANDLE LH                             |
| 7    | 0H0204  | 2    | AXLE PIN, 1/2" X 4"                     | 57   | 0H1781  | 4    | CHB CUSTOM M8-1.25 X 42mm LONG              |
| 8    | 075431  | 1    | SCREW, IHHC 5/16"-1/4 X 8-1/2"          | 58   | 0G8651  | 2    | WHEEL, 9.5" DIA PLASTIC                     |
| 9    | 0C7649  | 1    | CLAMP, HOSE 3/8-8/7                     | 59   | 0H1832B | 1    | ASSY, HANDLE RH                             |
| 10   | 022145  | 5    | WASHER, FLAT 5/16"-M8 ZINC              | 60   | 0G8758  | 1    | OUTLET, 30A 120/ 250V                       |
| 11   | 049820  | 2    | NUT, HEX LOCK M8-1.25 NYLON INSERT      | 61   | 0G9756  | 1    | RECEPTACLE PANEL                            |
| 12   | 085652  | 2    | VIBRATION MOUNT 25 X 31.8 X M8-1.25     | 62   | 090388  | 1    | SCREW, HHTT M6-1.0 X 12 ZINC                |
| 13   | 069673J | 8    | NUT, LOCK FLANGE 9/16"-18               | 63   | 0H1114  | 1    | FOOT, BENT                                  |
| 14   | 0G8804  | 1    | ENGINE GH410 PULL START, 8KW            | 64   | 0H1829  | 2    | RUBBER FOOT 38.1 X 25.4 X M8-1.25           |
| 15   | 0H1359  | 1    | PLATE, FUEL GAGE                        | 65   | 020911  | 4    | SCREW, PPHM M5-0.8 X 3.0 ZINC               |
| 16   | 0G8633  | 2    | VIBRATION MOUNT 410                     | 66   | 0C7649  | 1    | CLAMP HOSE 0.38-0.87                        |
| 17   | 0H1345D | 1    | FUEL GAGE, 115mm LONG ARM               |      |         |      |   |
| 18   | 0H1357  | 2    | SCREW, PPHM M6-0.8 X 12                 |      |         |      |   |
| 19   | 0G0926  | 2    | SCREW, IHFCS M6-1.0 X 16                |      |         |      |   |
| 20   | 0D4662  | 1    | SCREW, HHTT 5/16"-18 X 3/4"             |      |         |      |   |
| 21   | 0G1746  | 1    | BRACKET, MIF F LF 8KW                   |      |         |      |   |
| 22   | 030205  | 4    | SCREW, FHSC 3/8"-18 X 1/2" W/LOCK       |      |         |      |   |
| 23   | 0G8148  | 4    | SCREW, IHHC M8-1.25 X 140 G8.8          |      |         |      |   |
| 24   | 0H1326  | 1    | FUEL FILTER                             |      |         |      |   |
| 25   | 0H1684  | 1    | VALVE, FUEL SHUTOFF                     |      |         |      |   |
| 26   | 0H1613  | 1    | FILTER, FUEL VALVE                      |      |         |      |   |
| 27   | 0H0265C | 2    | CIRCUIT BREAKER, 10A, 1P, 120V          |      |         |      |   |
| 28   | 0G8507  | 2    | OUTLET, 20A 120V DUPLEX                 |      |         |      |   |
| 29   | 0G8321  | 1    | HOUR METER W/ALERTS ACDC                |      |         |      |   |
| 30   | 055414  | 1    | LUG, SOLDERLESS #2-#8 X 17/64 CU        |      |         |      |   |
| 31   | 0G5002  | 1    | COVER, ALTERNATOR INLET                 |      |         |      |   |
| 32   | 022152  | 4    | WASHER, LOCK #10                        |      |         |      |   |
| 33   | 092079  | 1    | SCREW, HHTT M6.4 X 25 BP                |      |         |      |   |
| 34   | 0A1658  | 1    | WASHER, LOCK SPECIAL 1/4"               |      |         |      |   |
| 35   | 0G5088  | 1    | CLAMP, CAPACITOR                        |      |         |      |   |
| 36   | 0G8382  | 4    | SCREW, PPH #8-16 X .86" BZC             |      |         |      |   |
| 37   | 0G8753C | 1    | ASSY, GROUND WIRE ALTERNATOR TO BASE    |      |         |      |   |
| 38   | 0G5058  | 1    | CAPACITOR                               |      |         |      |   |
| 39   | 0G8875B | 1    | ASSY RECEPTACLE PANEL 8 KW 30A W/HR MTR |      |         |      |   |
| 40   | 0G5211C | 1    | ASSY, ROTOR BKW 30mm LAMINATIONS        |      |         |      |   |
| 41   | 0G2397  | 1    | ENGINE ADAPTOR HOUSING                  |      |         |      |   |
| 42   | 0G5457C | 1    | STATOR, 8KW                             |      |         |      |   |
| 43   | 0G2398  | 1    | BEARING CARRIER REAR                    |      |         |      |   |
| 44   | 0G5206  | 1    | GROMMET, WIRE SLEEVE                    |      |         |      |   |
| 45   | 0F4795  | 2    | SCREW, PPHM 4-0.1 X 1.0                 |      |         |      |   |
| 46   | 0H1325A | 1    | FUEL CAP, VENTED                        |      |         |      |   |
| 47   | 0G8489  | 1    | FUEL TANK                               |      |         |      |   |
| 48   | 0G5445  | 4    | SCREW, HHTT M8-1.25 X 2.0               |      |         |      |   |
| 49   | 0H1814  | 2    | WASHER, FLAT 13mm ID X 27mm OD          |      |         |      |   |
| 50   | 023897  | 4    | WASHER, FLAT #10 ZINC                   |      |         |      |   |

| E.C.O. | REV. | DATE     |
|--------|------|----------|
|        | -A   | 10/21/10 |
|        |      |          |
|        |      |          |
|        |      |          |
|        |      |          |
|        |      |          |
|        |      |          |

**MODEL: 005680-0**  
**GP 8000W PULL START**  
**DO NOT SCALE**

|                             |            |                            |          |                                    |         |
|-----------------------------|------------|----------------------------|----------|------------------------------------|---------|
| EXPLODED VIEW:              |            | <b>EV 8KW GP STORM SKU</b> |          | GENERAC POWER SYSTEMS              |         |
| DRAWN BY:                   | DMC        | DATE:                      | 8/30/10  | P.O. BOX 8<br>WAUKESHA, WIS. 53186 |         |
| CHECKED BY:                 | KEVIN COLE | DATE:                      |          | FIRST USE:                         | 05680-0 |
| APPROVED BY:                | KEVIN COLE | DATE:                      | 10/7/10  | PART NO.                           | 0H1250  |
| RELEASED FOR PRODUCTION BY: | D. VALERIO | DATE:                      | 10/20/10 | REV.                               | A       |

**GROUP**