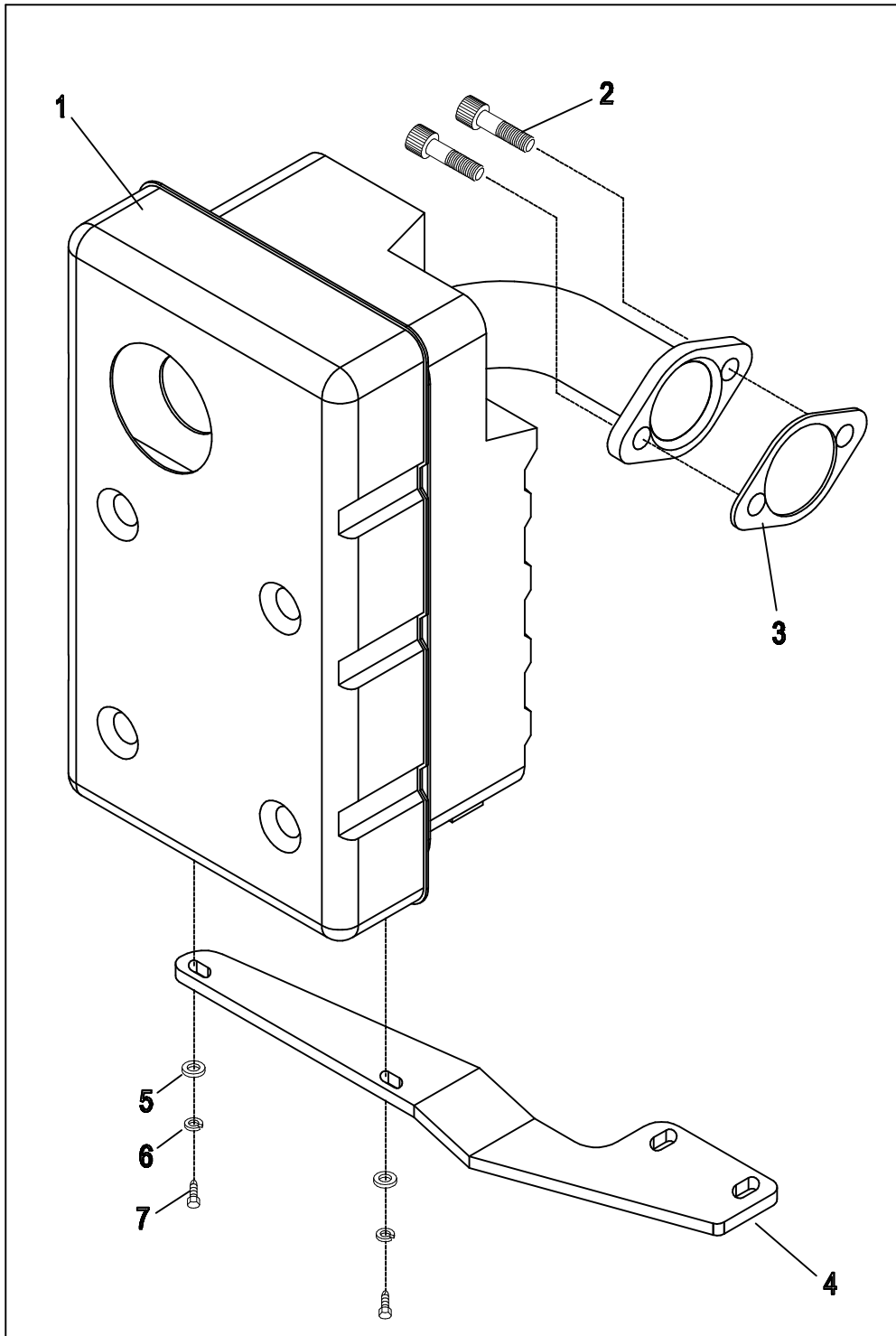


APPLICABLE TO:

MUFFLER OPTION
ENGINE PRODUCTION LEVEL 9E



**EXPLODED VIEW: MUFFLER, 410 SIDE OUT
DRAWING #: 0E5081 REV. B**

GROUP

APPLICABLE TO:

ITEM	PART #	QTY.	DESCRIPTION
1	0E5223A	1	MUFFLER, 410 SIDE-OUT ALUMINIZED
2	0G3730	2	SCREW SHC M8-1.25 X 20 SEMS
3	090239	1	GASKET, EXHAUST
4	0E6047	1	BRACKET, GH410 MUFFLER SUPPORT
5	022473	2	WASHER FLAT ¼ - M6 ZINC
6	022097	2	WASHER LOCK M6 - ¼
7	043146	2	SCREW HHC M6-1.0 X 10 G8.8