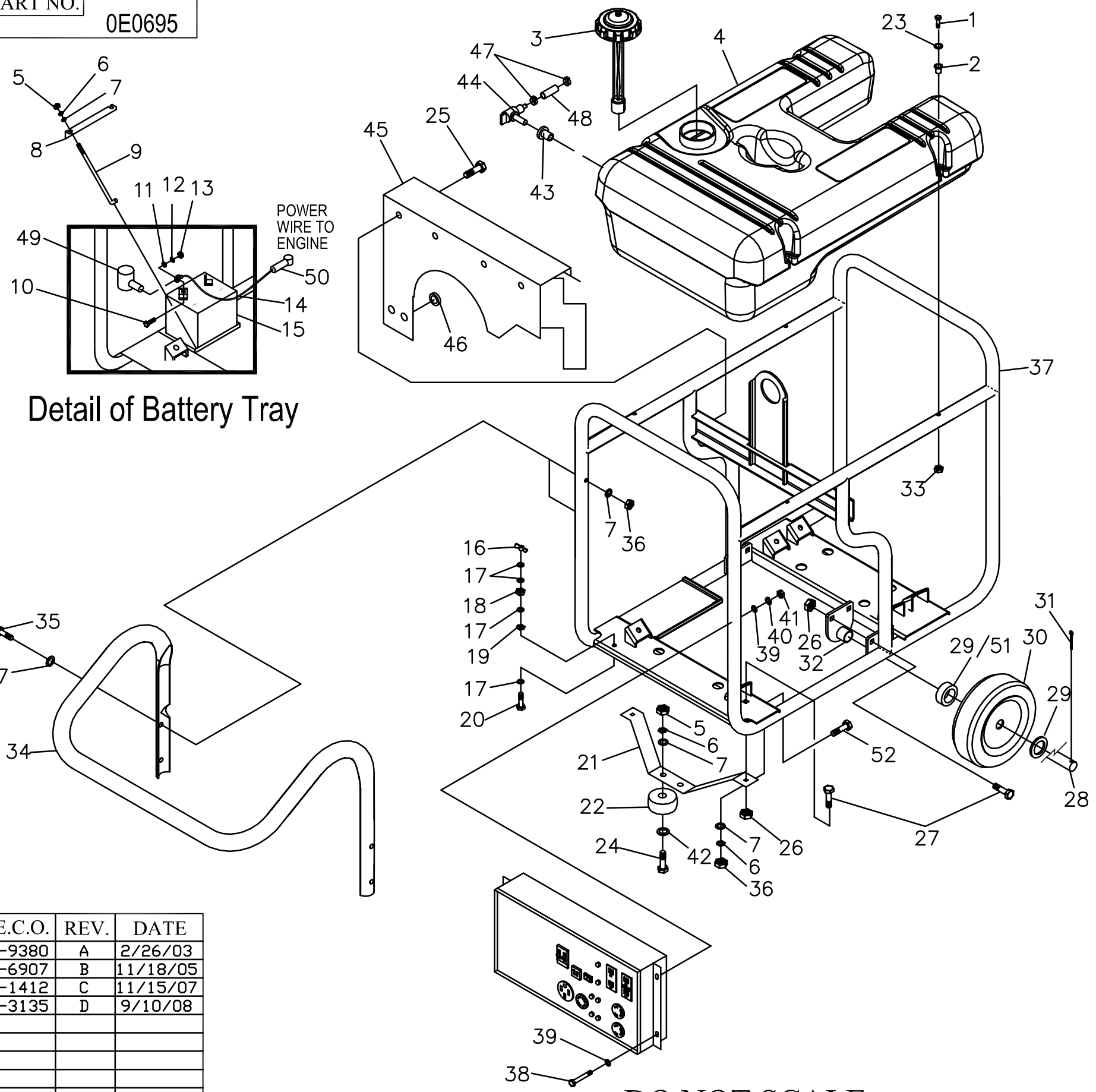


PART NO. 0E0695



ITEM	PART #	QTY.	DESCRIPTION
1	057058	4	SCREW HHC M6-1.0 X 55
2	0D5315	4	RUBBER TANK MOUNT
3	0D4570	1	CAP, FUEL WITH GAUGE & VENT
4	0D22850SRV	1	KIT, FUEL TANK
5	045771	4	NUT HEX M8-1.25
6	022129	6	WASHER LOCK M8-5/16
7	022145	14	WASHER FLAT 5/16
8	0D4565	1	BRACKET BATTERY
9	0D3545	2	BOLT, BATTERY J-BOLT
10	022287	2	SCREW HHC 1/4-20 X 3/4 G5
11	022473	2	WASHER FLAT 1/4
12	022097	2	WASHER LOCK M6-1/4
13	022127	2	NUT HEX 1/4-20
14	0388040AK0	1	BATTERY CABLE, RED
15	0D4575	1	BATTERY U1
16	0D5202	1	NUT WING 5/16-18 BRASS
17	0D5199	4	WASHER FLAT 5/16 BRASS
18	029809	1	NUT HEX 5/16-18 BRASS
19	0C3168	1	5/16 SPECIAL LWASH
20	0D5198	1	SCREW HHC 5/16-18 X 1.5 BRASS
21	0E0317	1	BRACKET FRONT FOOT (15 kW)
	0D2498	1	BRACKET FRONT FOOT (12.5 kW)
22	027007	2	VIB MOUNT
23	0D5303	4	WASHER FLAT .25ID X 1"OD
24	042909	2	SCREW HHC M8-1.25 X 30
25	090388	4	SCREW HHTT M6-1.0 X 12
26	064101	6	NUT LOCK FL 3/8-16
27	039214	6	BOLT CARR 3/8-16 X 1
28	0D9165	1	AXLE, 3/4"DIA X 30" (15 kW)
	0D2496	1	AXLE, 3/4"DIA X 27.25" (12.5 kW)
29	045900	2	WASHER FLAT 3/4" (15 kW)
	045900	4	WASHER FLAT 3/4" (12.5 kW)
30	0D7668	2	12.3" PNEUM WHEEL 3/4" AXLE (15 kW)
	0D2495	2	10" PNEUM WHEEL 3/4" AXLE (12.5 kW)
31	0D4999	2	PIN COTTER 1/8 X 1-1/4
32	0D4044	2	BRACKET, WHEEL SPACER
33	0D3700	4	NUT FLANGE M6-1.0 NYLOK
34	0D2497	1	HANDLE
35	022532	4	SCREW HHC 5/16-18 X 2-1/2 G5
36	027028	6	NUT LOCK HEX 5/16-18 NYLON INSERT
37	0D2271	1	FRAME
38	052762	4	SCREW HHC M5-0.8 X 45 G8.8
39	051713	8	WASHER FLAT M5
40	049226	4	WASHER LOCK M5
41	051716	4	NUT HEX M5-0.8
42	050190	2	WASHER FLAT 1"
43	078299	1	BUSHING TANK DEXTOR
44	080270	1	VALVE, PLASTIC TANK
45	0D5142	1	AIR DEFLECTOR
46	096021	2	GROMMET .75 X .06 X .50
47	0G3662A	2	CLAMP, HOSE OETIKR STEPLSS 14.5
48	0F9176	18"	HOSE 1/4 ID
49	075763	1	BOOT BATTERY CABLE
50	075763A	1	BOOT STARTER CABLE
51	0E0318	2	SPACER, AXLE (15 kW)
52	030795	2	SCREW HHC 5/16"-18 X 1"

E.C.O.	REV.	DATE
F-9380	A	2/26/03
G-6907	B	11/18/05
H-1412	C	11/15/07
H-3135	D	9/10/08

DO NOT SCALE

GROUP

EXPLODED VIEW:		FRAME		GENERAC POWER SYSTEMS	
DRAWN BY:	BEN KIELAS	DATE:	4/13/02	P.O. BOX 8 WAUKESHA, WIS. 53186	
CHECKED BY:	J. VRANAK	DATE:	4/24/02	FIRST USE:	00451-1
APPROVED BY:	C. TURNER	DATE:	4/24/02	PART NO.:	0E0695
RELEASED FOR PRODUCTION BY:	C. TURNER	DATE:	4/24/02	REV.:	D

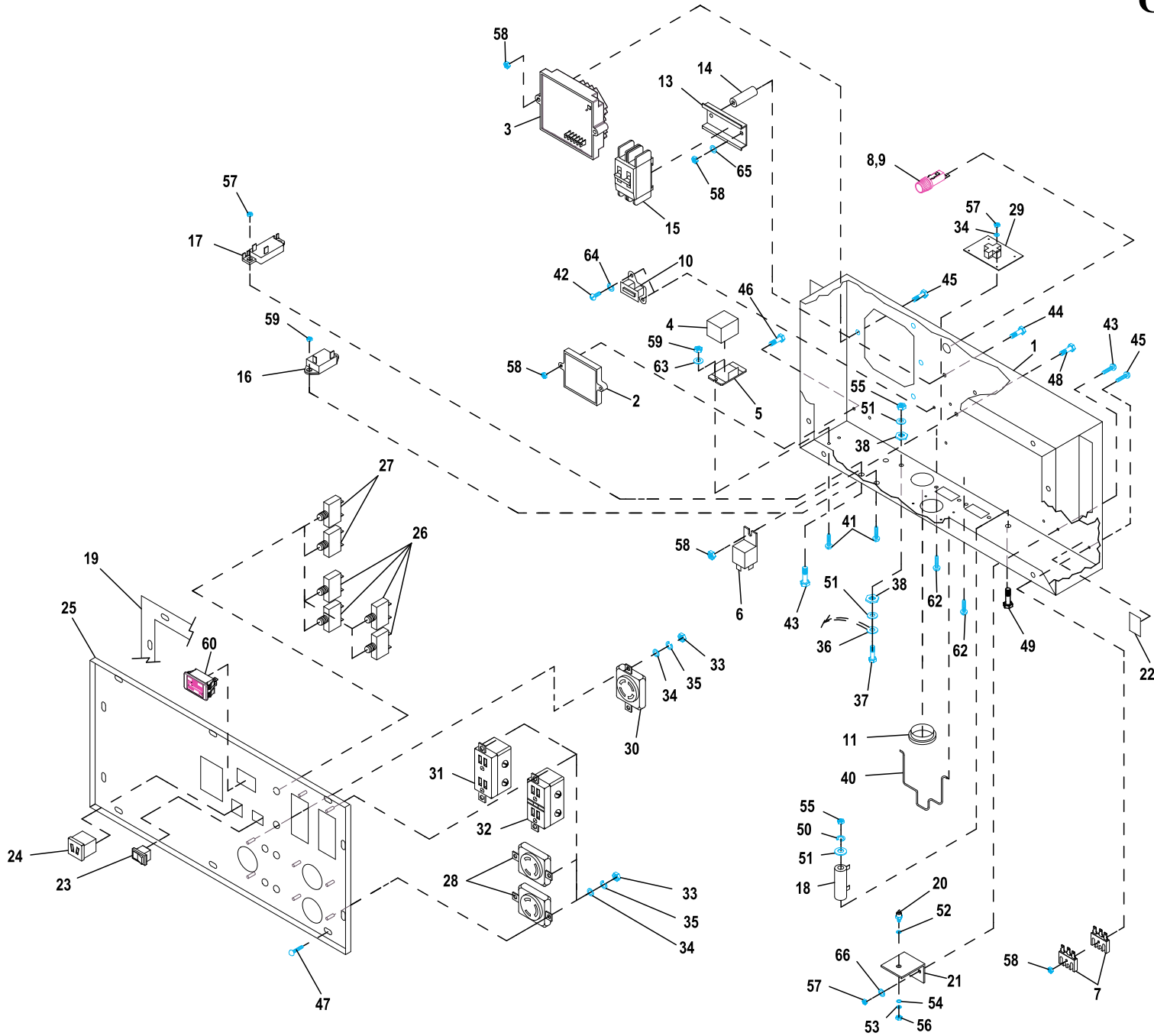
**EXPLODED VIEW: EV CONTROL PANEL GP 15/17.5 KW**

**DRAWING #: 0H0732**

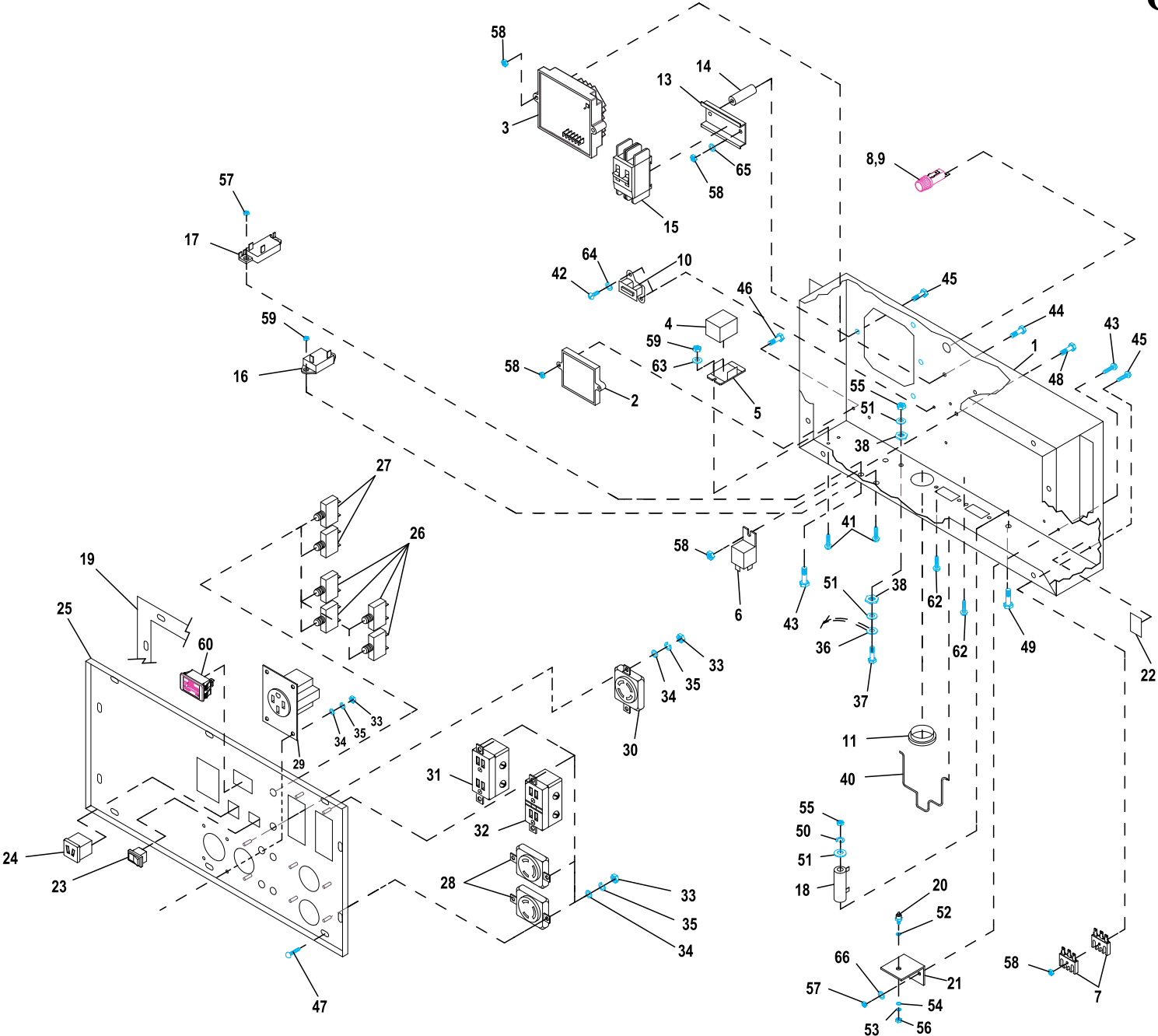
**GROUP EV**

**APPLICABLE TO:**

ITEM	PART#	QTY.	DESCRIPTION
<b>17.5KW (UP THRU SERIAL #3001959571)</b>			
1	0G2890	1	CONTROL PANEL BOX
2	0D4409	1	ELECTRONIC GOVERNOR / IDLE CONTROLLER
3	0F9719	1	ASSY PCB VREG AIR COOLED
4	0F3100	1	RELAY 3PDT 12VDC
5	0F3101	1	RELAY BASE 3PDT 12VDC
6	052844	1	RELAY PNL 12VDC SPST 30A
7	065795	2	RECTIFIER-BATTERY CHARGER
8	032300	1	HOLDER FUSE
9	028578	1	FUSE 10A X AGC10
10	0D4804A	1	TRANSFORMER, IDLE CURRENT
11	023484S	1	BUSHING SNAP
12	0G2887	1	HARNES, CONTROL PANEL BACK(NOT SHOWN)
13	0D5045	1	DIN RAIL 59.5mm LONG
14	0G0923	2	SPACER .25 X .50 X 2.5
15	0D1004E	1	CIRCUIT BREAKER 50A 400V 2POLE
16	087962	1	CIRCUIT BREAKER 10A 1POLE
17	048505	1	CIRCUIT BREAKER 6A 1POLE
18	057405	1	RESISTOR 25R 5% 25W
19	0D6140	2	GASKET, PORTABLE CONTROL PANEL
20	049939	1	RECTIFIER 1N1206R
21	055444	1	HEATSINK
22	027565	A/R	TAPE ELEC UL PERMACEL
23	087968	1	SWITCH, ROCKER -/0
24	090418	1	OUTLET, 12VDC SNAP
25	0H0763	1	PANEL, SHEET METAL
26	075207A	4	CIRCUIT BREAKER 30A
27	075207	2	CIRCUIT BREAKER 20A
28	068868	2	OUTLET 30A 120V RECEPT
29	0D4969	1	OUTLET 50A 125/250V
30	043437	1	OUTLET 30A 125/250V
31	0D4968	1	OUTLET 20A 120V DPLX
32	0D4966	1	OUTLET 20A 120V GFCl
33	051715	10	NUT HEX M4-0.7
34	038150	14	WASHER FLAT #8
35	022264	10	WASHER LOCK M4
36	0742600142	1	GROUND WIRE
37	049721	1	SCREW HHC M6-1.0 X 35
38	0A1658	2	WASHER LOCK SPECIAL 1/4"
39	0D3546	1	HARNES, CONTROL PANEL FRONT(NOT SHOWN)
40	0G0615	1	SPRING RETAINER
41	090987	4	SCREW PPHM M3-0.5 X 12
42	0C1085	2	SCREW PPHM M3-0.5 X 8
43	075475	8	SCREW PPHM M4-0.7 X 10
44	077682	2	SCREW PPHM M5-0.8 X 80
45	075235	3	SCREW PPHM M5-0.8 X 30
46	0G3024	2	SCREW HHC M5-0.8 X 25
47	074908	10	SCREW HHTT M5-0.8 X 10
48	045770	1	SCREW HHC M5-0.8 X 10
49	0A2053	1	SCREW HHC M6-1.0 X 65
50	022097	1	WASHER LOCK M6 (1/4")
51	022473	3	WASHER FLAT 1/4"
52	070370	1	WASHER MICA .203
53	023897	1	WASHER FLAT #10
54	030468	1	WASHER STEP NYLON .20
55	049813	3	NUT HEX M6-1.0
56	022158	1	NUT HEX #10-32
57	0E6480	8	NUT HEX M4-0.7 NYINS
58	082025	8	NUT HEX M5-0.8 NYINS
59	0D9784	4	NUT HEX M3-0.5 NYINS
60	0H8214	1	HOUR METER w/ALERTS AC/DC
61	0H0758	1	WIRE ASM, HOUR METER(NOT SHOWN)
62	0F5458	4	SCREW HHSP #10 X 3/8 HI-LOW
63	031879	4	WASHER FLAT #4
64	043182	2	WASHER LOCK M3
65	051713	2	WASHER FLAT M5
66	043180	6	WASHER FLAT M4
67	0H1330	1	ENGINE HARNES(NOT SHOWN)



17.5KW (UP THRU SERIAL #3001959571)



**15KW AND 17.5KW (AFTER SERIAL #3001959571)**

**EXPLODED VIEW: EV CONTROL PANEL GP 15/17.5 KW**

**DRAWING #: 0H0732**

**GROUP EV**

**APPLICABLE TO:**

ITEM	PART#	QTY.	DESCRIPTION
<b>15KW AND 17.5KW (AFTER SERIAL #3001959571)</b>			
1	0G2888	1	CONTROL PANEL BOX
2	0D4409	1	ELECTRONIC GOVERNOR / IDLE CONTROLLER
3	0F9719	1	ASSY PCB VREG AIR COOLED
4	0F3100	1	RELAY 3PDT 12VDC
5	0F3101	1	RELAY BASE 3PDT 12VDC
6	052844	1	RELAY PNL 12VDC SPST 30A
7	065795	2	RECTIFIER-BATTERY CHARGER
8	032300	1	HOLDER FUSE
9	028578	1	FUSE 10A X AGC10
10	0D4804A	1	TRANSFORMER, IDLE CURRENT
11	023484S	1	BUSHING SNAP
12	0G2887	1	HARNESS, CONTROL PANEL BACK(NOT SHOWN)
13	0D5045	1	DIN RAIL 59.5mm LONG
14	0D5734	2	SPACER .25 X .50 X 1.5
15	0D1004E	1	CIRCUIT BREAKER 50A 400V 2POLE
16	087962	1	CIRCUIT BREAKER 10A 1POLE
17	048505	1	CIRCUIT BREAKER 6A 1POLE
18	057405	1	RESISTOR 25R 5% 25W
19	0D6140	2	GASKET, PORTABLE CONTROL PANEL
20	049939	1	RECTIFIER 1N1206R
21	055444	1	HEATSINK
22	027565	A/R	TAPE ELEC UL PERMACEL
23	087968	1	SWITCH, ROCKER -/0
24	090418	1	OUTLET, 12VDC SNAP
25	0H0761	1	PANEL, SHEET METAL
26	075207A	4	CIRCUIT BREAKER 30A
27	075207	2	CIRCUIT BREAKER 20A
28	068868	2	OUTLET 30A 120V RECEPT
29	0D4969	1	OUTLET 50A 125/250V
30	043437	1	OUTLET 30A 125/250V
31	0D4968	1	OUTLET 20A 120V DPLX
32	0D4966	1	OUTLET 20A 120V GFCl
33	051715	14	NUT HEX M4-0.7
34	038150	14	WASHER FLAT #8
35	022264	14	WASHER LOCK M4
36	0742600142	1	GROUND WIRE
37	049721	1	SCREW HHC M6-1.0 X 35
38	0A1658	2	WASHER LOCK SPECIAL 1/4"
39	0D3546	1	HARNESS, CONTROL PANEL FRONT(NOT SHOWN)
40	0G0615	1	SPRING RETAINER
41	090987	4	SCREW PPHM M3-0.5 X 12
42	0C1085	2	SCREW PPHM M3-0.5 X 8
43	075475	4	SCREW PPHM M4-0.7 X 10
44	080823	2	SCREW PPHM M5-0.8 X 50
45	075235	3	SCREW PPHM M5-0.8 X 30
46	0G3024	2	SCREW HHC M5-0.8 X 25
47	074908	10	SCREW HHTT M5-0.8 X 10
48	045770	1	SCREW HHC M5-0.8 X 10
49	0A2053	1	SCREW HHC M6-1.0 X 65
50	022097	1	WASHER LOCK M6 (1/4")
51	022473	3	WASHER FLAT 1/4"
52	070370	1	WASHER MICA .203
53	023897	1	WASHER FLAT #10
54	030468	1	WASHER STEP NYLON .20
55	049813	3	NUT HEX M6-1.0
56	022158	1	NUT HEX #10-32
57	0E6480	4	NUT HEX M4-0.7 NYINS
58	082025	8	NUT HEX M5-0.8 NYINS
59	0D9784	4	NUT HEX M3-0.5 NYINS
60	0H8214	1	HOUR METER w/ALERTS AC/DC
61	0H0758	1	WIRE ASM, HOUR METER(NOT SHOWN)
62	0F5458	4	SCREW HHSP #10 X 3/8 HI-LOW
63	031879	4	WASHER FLAT #4
64	043182	2	WASHER LOCK M3
65	051713	2	WASHER FLAT M5
66	043180	8	WASHER FLAT M4
67	0H1330	1	ENGINE HARNESS(NOT SHOWN)