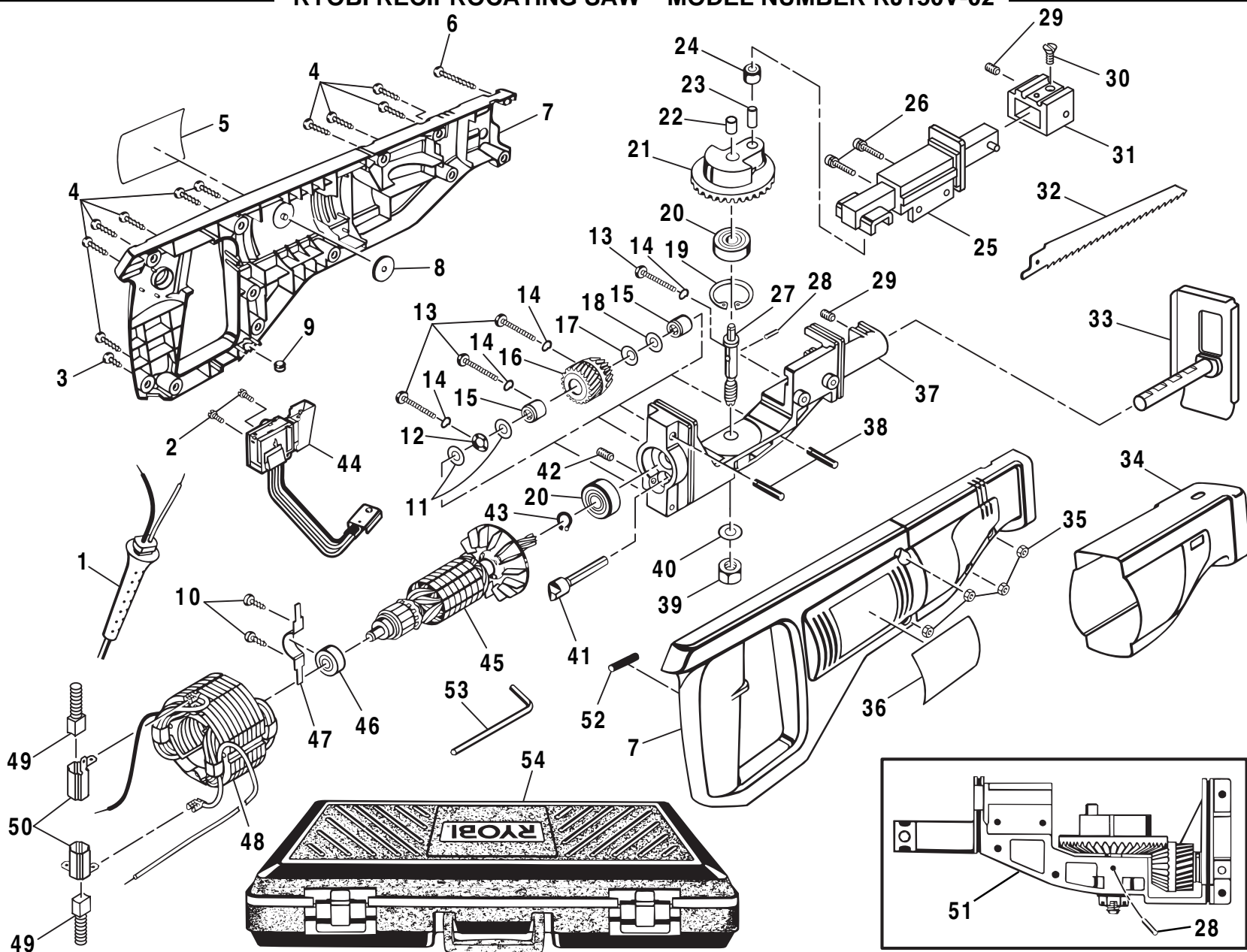


# RYOBI RECIPROCATING SAW – MODEL NUMBER RJ150V-02



## ⚠ WARNING:

Improper repair of a double insulated tool can result in damages to the double insulation system possibly causing electrical shock or electrocution. Any repairs requiring disassembly of your tool requires safety testing and should only be performed by a **Ryobi Authorized Service Center**.

## RYOBI RECIPROCATING SAW – MODEL NUMBER RJ150V-02

The model number will be found on a plate attached to the motor housing. Always mention the model number in all correspondence regarding your **RECIPROCATING SAW** or when ordering repair parts.

### PARTS LIST

| Key No. | Part Number | Description  | Quan. | Key No. | Part Number | Description   | Quan. |
|---------|-------------|--|-------|---------|-------------|---|-------|
| 1       | 990496-016  | CORD .....   | 1     | 29      | 998743-001  | SET SCREW (#5/16-24) .....  | 2     |
| 2       | 968775-001  | SCREW (M3 X 7 FIL. HD.) .....                        | 2     | 30      | 623934-002  | BLADE SCREW .....   | 1     |
| 3       | 617966-028  | SCREW (#8-10 X 1/2 in. PAN HD.) .....                | 1     | 31      | 981185-001  | BLADE CLAMP ASSEMBLY<br>(INCLUDES ONE OF KEY NO. 29) .....                        | 1     |
| 4       | 617966-030  | SCREW (#8-10 X 5/8 in. PAN HD.) .....                | 10    | 32      | 974134-001  | BLADE .....   | 1     |
| 5       | 973703-001  | LOGO PLATE .....                                     | 1     | 33      | 998277-004  | BASE ASSEMBLY .....   | 1     |
| 6       | 617966-032  | SCREW (#8-10 X 1-1/4 in. PAN HD.) .....              | 1     | 34      | 974040-001  | RUBBER BOOT .....   | 1     |
| 7       | 973729-000  | HOUSING ASSEMBLY .....                               | 1     | 35      | 706404-007  | HEX NUT (#8-32) .....   | 4     |
| 8       | 623552-001  | STATOR PAD .....                                     | 1     | 36      | 981866-001  | DATA PLATE .....  | 1     |
| 9       | 885883-028  | GROMMET .....  | 1     | 37      | 998280-002  | GEAR SUPPORT FRAME .....  | 1     |
| 10      | 606124-007  | SCREW (#6-20 X 1/2 in. PAN HD. T.F.) .....           | 2     | 38      | 941401-812  | ROLL PIN .....  | 2     |
| 11      | 706239-830  | WASHER .....   | 2     | 39      | 607406-011  | HEX NUT (#3/8-24) .....   | 1     |
| 12      | 617401-001  | THRUST BEARING .....                                 | 1     | 40      | 931055-825  | WASHER .....  | 1     |
| 13      | 614658-041  | SCREW (#8-32 X 1-5/16 in. PAN HD.) .....             | 4     | 41      | 999970-004  | SHAFT .....   | 1     |
| 14      | 622170-003  | SPRING WASHER .....                                  | 4     | 42      | 998307-001  | SET SCREW (#10-24 X 1/2 in.) .....  | 1     |
| 15      | 612801-005  | ROLLER BEARING .....                                 | 2     | 43      | 622167-017  | RETAINING RING .....  | 1     |
| 16      | 999969-001  | GEAR ASSEMBLY (INCLUDES KEY NO. 15) ..               | 1     | 44      | 968303-081  | SWITCH .....  | 1     |
| 17      | 622347-008  | WASHER .....   | 1     | 45      | 968306-078  | ARMATURE ASSEMBLY (INCLUDES ONE OF<br>KEY NO. 20, PLUS KEY NOS. 43, AND 46) ..... | 1     |
| 18      | 706382-812  | WASHER .....   | 1     | 46      | 968305-010  | BALL BEARING (NTN #608ZZC3/1E) .....  | 1     |
| 19      | 622167-067  | RETAINING RING .....                                 | 1     | 47      | 998408-001  | BEARING STRAP .....   | 1     |
| 20      | 968305-027  | BALL BEARING (NTN #6200LLBC3/1E) .....               | 2     | 48      | 968307-116  | FIELD ASSEMBLY .....  | 1     |
| 21      | 999963-001  | GEAR ASSEMBLY<br>(INCLUDES KEY NOS. 22 AND 23) ..... | 1     | 49      | 968304-058  | BRUSH ASSEMBLY .....  | 2     |
| 22      | 999964-001  | SLEEVE BEARING .....                                 | 1     | 50      | 611967-001  | BRUSH TUBE .....  | 2     |
| 23      | 607352-001  | CROSS SLIDE PIN .....                                | 1     | 51      | 999348-001  | GEAR TRAIN ASSEMBLY (INCLUDES KEY<br>NOS. 11, 12, 15-23, 27, 28, AND 37-42) ..... | 1     |
| 24      | 607351-001  | CROSS SLIDE ROLLER .....                             | 1     | 52      | 620801-001  | SLEEVING .....  | 1     |
| 25      | 980640-001  | SAW BAR ASSEMBLY<br>(INCLUDES KEY NO. 31) .....      | 1     | 53      | 820193-006  | HEX KEY (#5/32) .....   | 1     |
| 26      | 621431-009  | SCREW (#10-24 X 3/4 in. FIL. HD.) .....              | 2     | 54      | 973728-000  | CARRYING CASE .....   | 1     |
| 27      | 999922-002  | SHAFT .....  | 1     |         | 972000-741  | OPERATOR'S MANUAL   |       |
| 28      | 941401-021  | ROLL PIN .....                                       | 1     |         | 8-00        |   |       |