

# **Tanaka** Illustrated Parts Manual

Model Number:

**PB-SM804/806/807**

**450-Watt Electric PowerBoard**

P/N 32044

Rev 000

Date 9-23-05

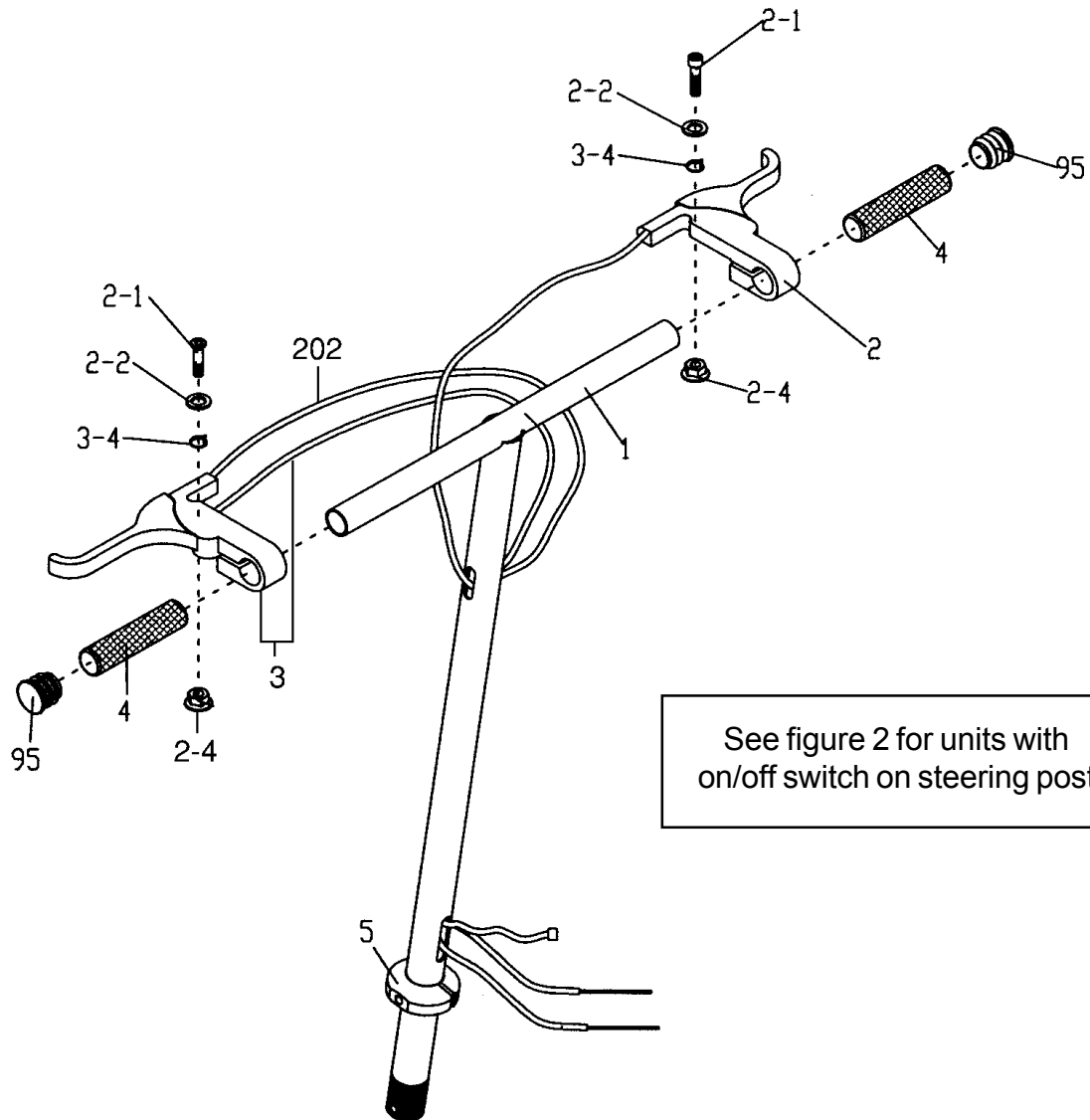


*Supplier To The Outdoor Power Equipment Industry*

ISM, Inc. • 1028 4<sup>th</sup> Street SW • Auburn, WA 98001 • Phone: (253) 333-1200 • Fax: (253) 333-1212

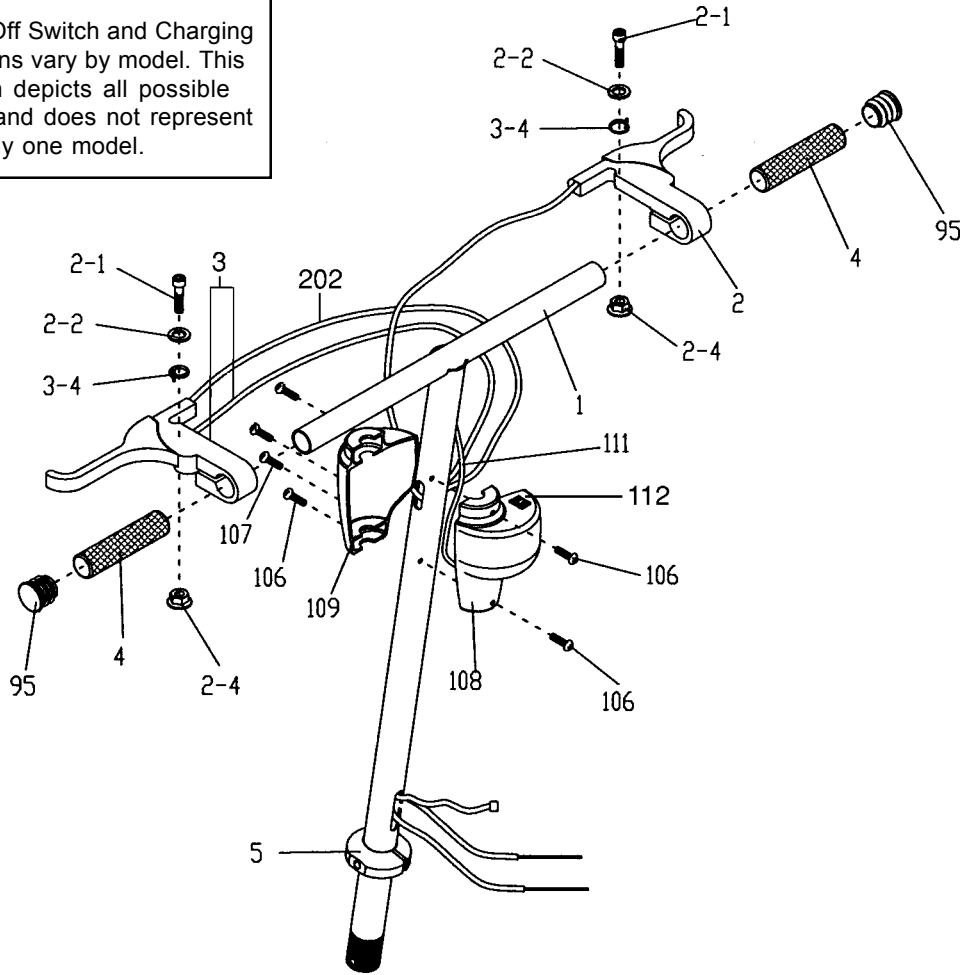
[www.tanaka-usa.com](http://www.tanaka-usa.com)

[custsvc@tanaka-ism.com](mailto:custsvc@tanaka-ism.com)

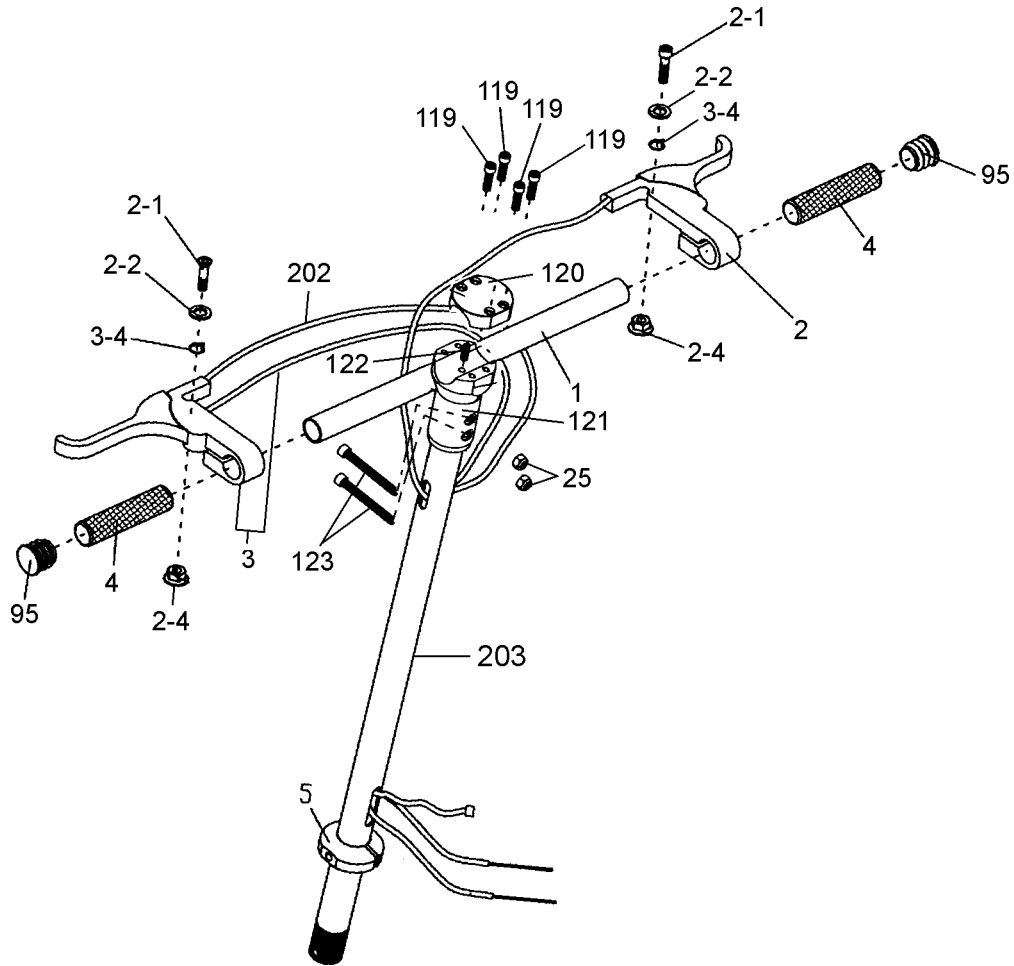


ITEM	PART NUMBER	DESCRIPTION	QTY	COMMENTS
1-1	30990	T-HANDLE, ASSY CHROME	1	
1-2	30992	LEVER, THROTTLE, W-WIRE	1	
1-2-1	31503	BOLT, M6xP1.0x13	2	
1-2-2	31504	WASHER	2	
1-2-4	31505	NUT, M6	2	
1-3	30993	LEVER, BRAKE, W-STOP WIRE	1	
1-3-4	31506	SPRING, LEVER	2	
1-4	30798	GRIP, HANDLE	2	
1-5	31071	HANDLE BAR SLEEVE	1	
1-95	31070	CAP, HANDLE GRIP	2	
1-202	31229	CABLE, BRAKE	1	

NOTE: On-Off Switch and Charging Port locations vary by model. This illustration depicts all possible parts used and does not represent any one model.

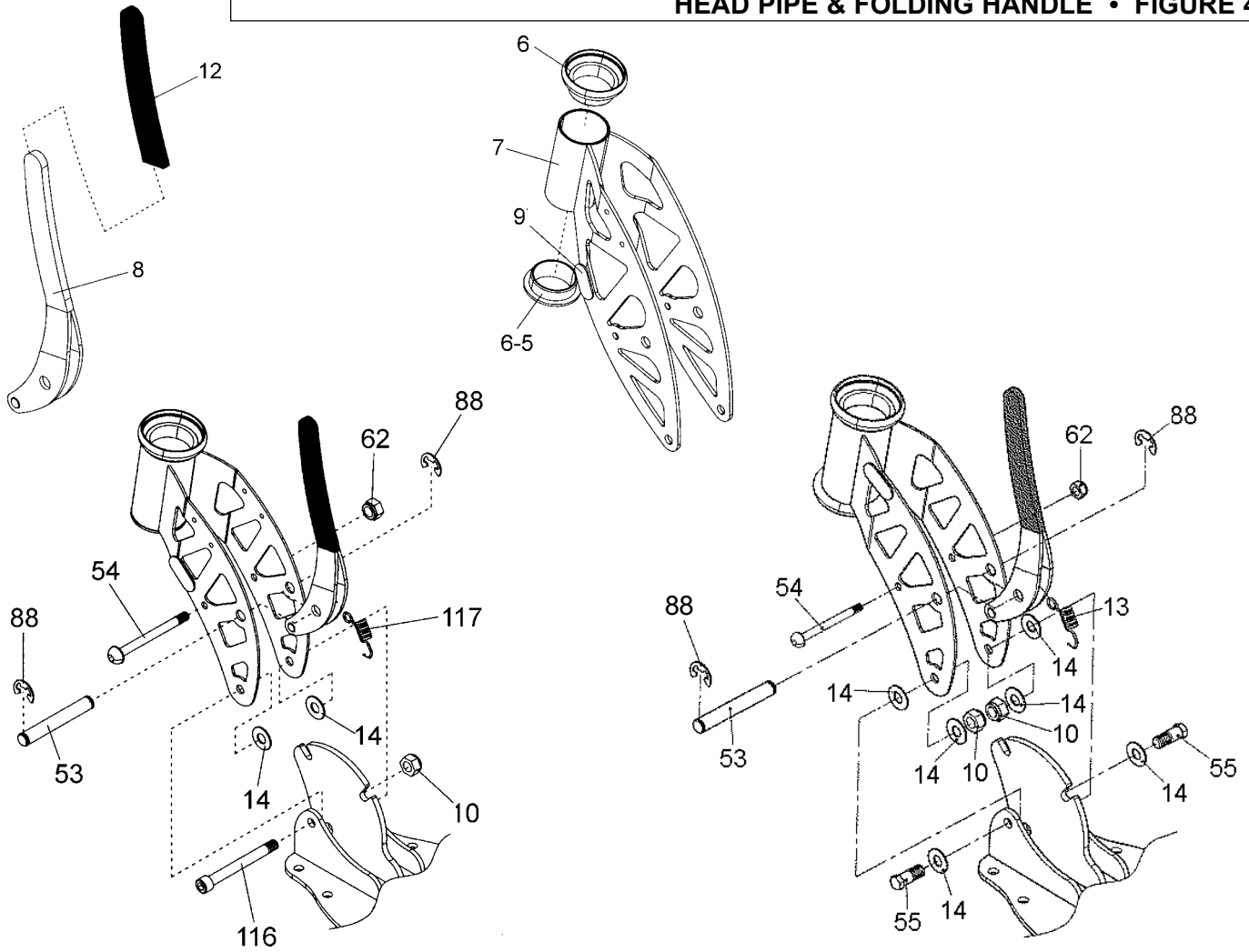


ITEM	PART NUMBER	DESCRIPTION	QTY	COMMENTS
2-1	32060	T-HANDLE, CHROME, W-HOLES	1	
2-2	30992	LEVER, THROTTLE, W-WIRE	1	
2-2-1	31503	BOLT, M6xP1.0x13	2	
2-2-2	31504	WASHER	2	
2-2-4	31505	NUT, M6	2	
2-3	30993	LEVER, BRAKE, W-STOP WIRE	1	
2-3-4	31506	SPRING, LEVER	2	
2-4	30798	GRIP, HANDLE	2	
2-5	31071	HANDLE BAR SLEEVE	1	
2-95	31070	CAP, HANDLE GRIP	2	
2-106	31831	SCREW	?	
2-107	31834	SCREW	?	
2-108	31621	HOUSING, SWITCH, FRONT	1	
2-109	31622	HOUSING, SWITCH, REAR	1	
2-111	32043	WIRE	1	
2-112	31744	SWITCH, ROCKER, 3-WIRE	1	
2-202	31229	CABLE, BRAKE	1	

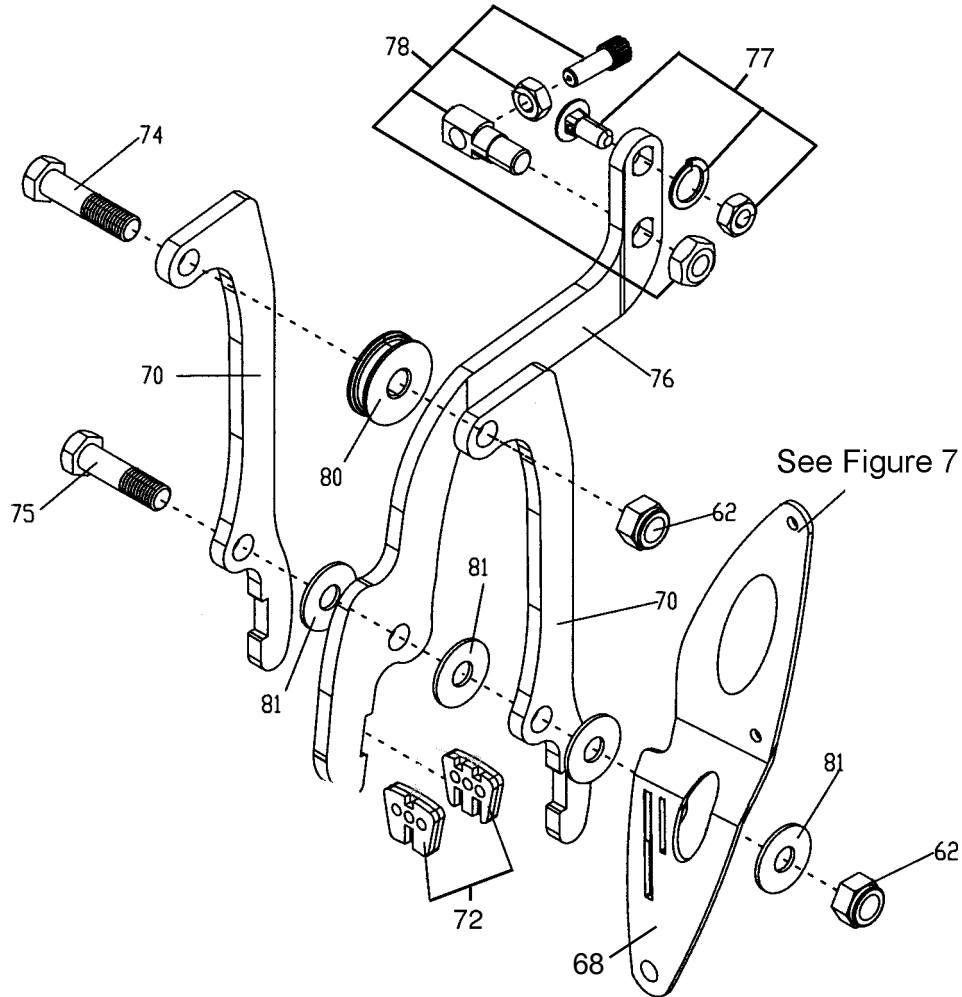


ITEM	PART NUMBER	DESCRIPTION	QTY	COMMENTS
3-1	32088	HANDLE BAR, STRAIGHT, XTR	1	
3-2	30992	LEVER, THROTTLE, W-WIRE	1	
3-2-1	31503	BOLT, M6xP1.0x13	2	
3-2-2	31504	WASHER	2	
3-2-4	31505	NUT, M6	2	
3-3	30993	LEVER, BRAKE, W-STOP WIRE	1	
3-3-4	31506	SPRING, LEVER	2	
3-4	30798	GRIP, HANDLE	2	
3-5	31071	HANDLE BAR SLEEVE	1	
3-25	31658	NUT	2	
3-95	31070	CAP, HANDLE GRIP	2	
3-119	31563	BOLT, M6xP1.0x20	4	
3-120	31564	STEERING STEM CAP	1	
3-121	31565	STEERING STEM	1	
3-122	31566	BOLT, M6xP1.0x15	1	
3-123	31567	BOLT, M6xP1.0x42	2	
3-202	31229	CABLE, BRAKE	1	
3-203	32089	STEERING STEM, CHROME	1	

### HEAD PIPE & FOLDING HANDLE • FIGURE 4

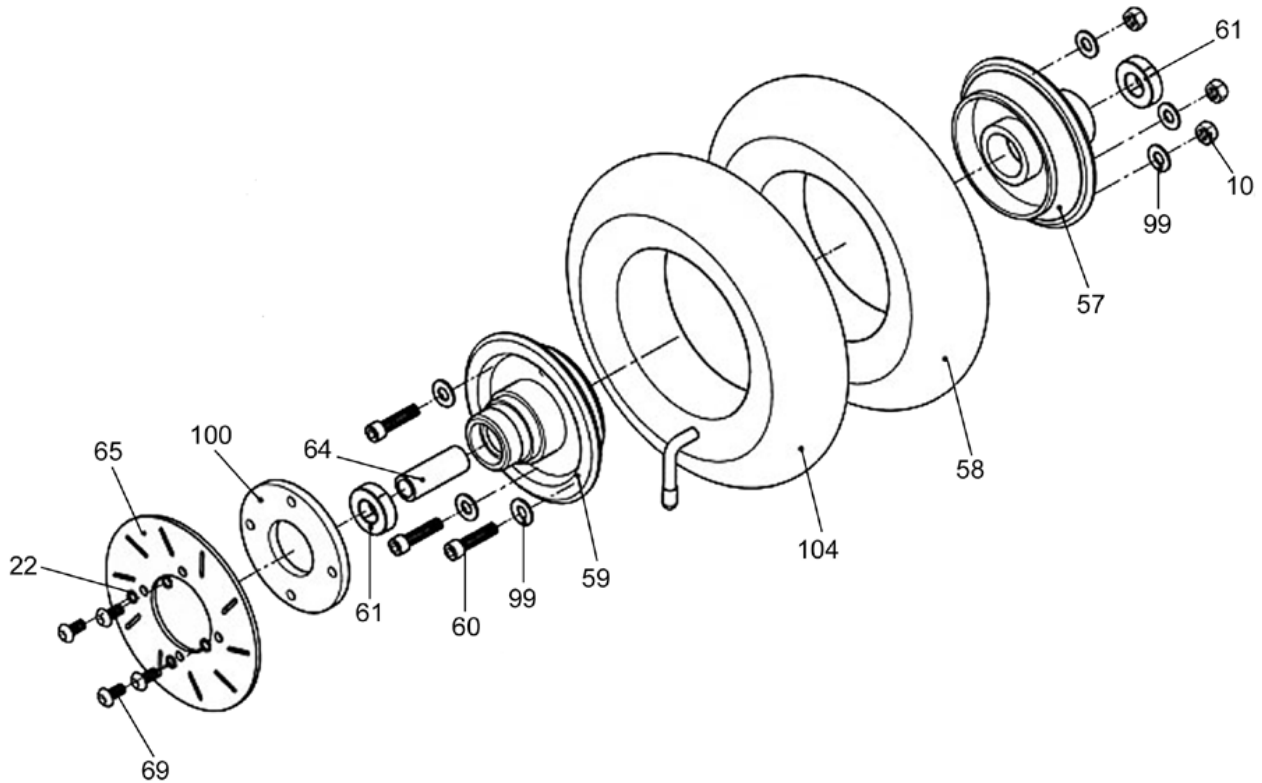


ITEM	PART NUMBER	DESCRIPTION	QTY	COMMENTS
4-6	31118	SPACER,HEAD,UPPER	1	
4-6-5	32046	SPACER,HEAD,LOWER	1	
4-7	30854	TUBE,HEAD,BLACK	1	
4-7	31393	TUBE,HEAD,GREEN	1	
4-7	31395	TUBE,HEAD,GRAPHITE	1	
4-8	30954	HANDLE,FOLDING,BLACK	1	
4-8	31394	HANDLE,FOLDING,GREEN	1	
4-8	31396	HANDLE,FOLDING,GRAPHITE	1	
4-9	30850	CUSHION,HEAD TUBE	2	
4-10	30821	NUT,M8xP1.25	1/2	
4-12	30870	GRIP,FOLDING HANDLE	1	
4-13	30869	SPRING,FOLDING HANDLE	1	
4-14	31137	WASHER	2/6	
4-53	31138	PIN,T-687	1	
4-54	31139	BOLT,K-180	1	
4-55	31140	BOLT,K-257	2	
4-62	30936	NUT,M6xP1.0	1	
4-88	31141	RING,E	2	
4-116	31836	PIN,HEAD TO FRAME	1	
4-117	31835	SPRING,FOLDING HANDLE	1	



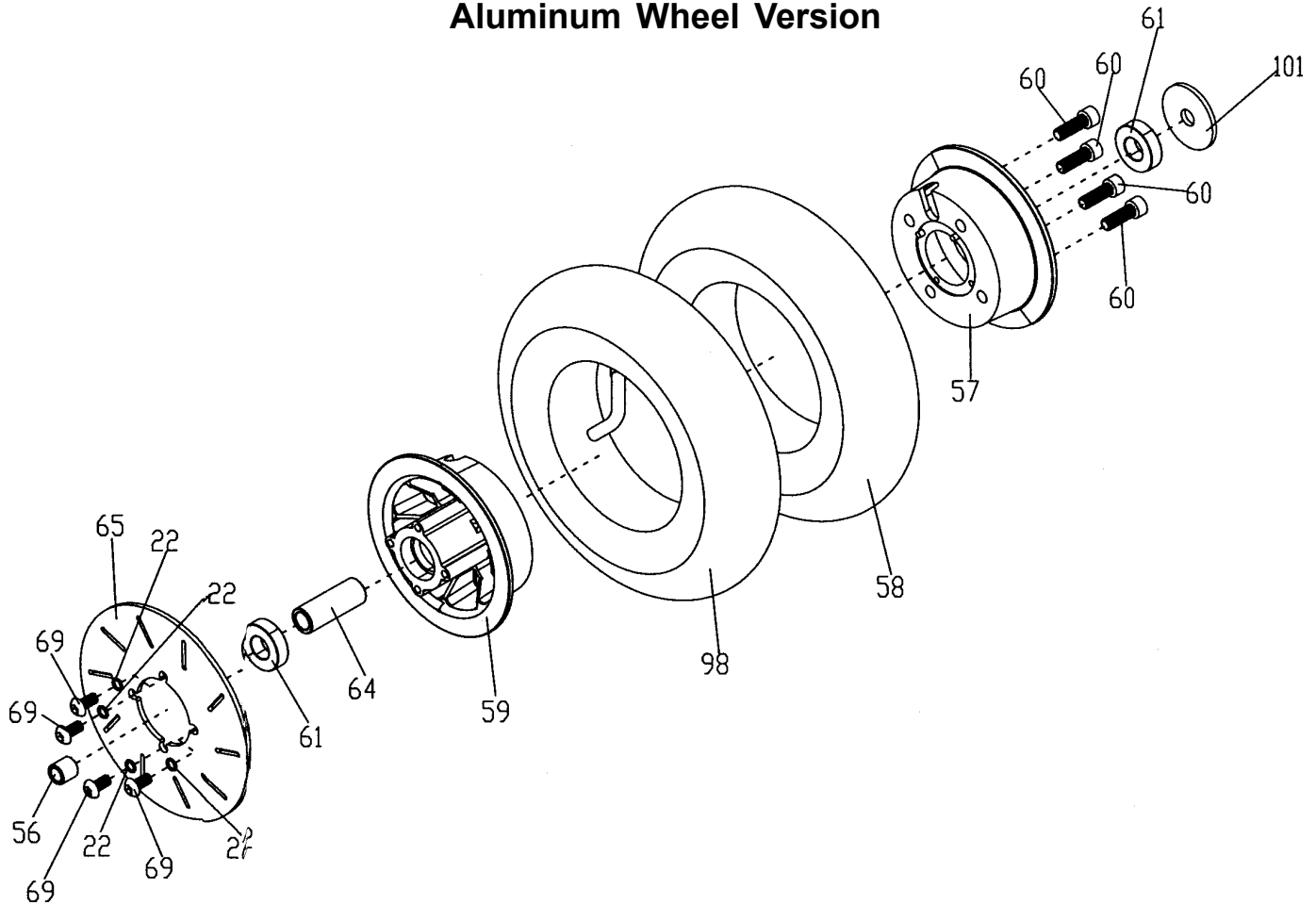
ITEM	PART NUMBER	DESCRIPTION	QTY	COMMENTS
5-62	30936	NUT,M6xP1.0	2	
5-68	30861	LEFT FRONT FORK (CHROME)	1	Use #31619 for Front Fork Set (pair)
5-70	30854	ARM,BRAKE,(SMALL)	2	
5-72	30930	BRAKE PAD SET	1	
5-74	30855	BOLT	1	
5-75	30859	BOLT	1	
5-76	30853	ARM,BRAKE,(LARGE)	1	
5-77	30851	KIT,BRAKE ARM HDWE	1	
5-78	30852	KIT,BRAKE CABLE RECEIVER	1	
5-80	30856	WHEEL,BRAKE	1	
5-81	30860	WASHER	4	

### Non Aluminum Wheel Version



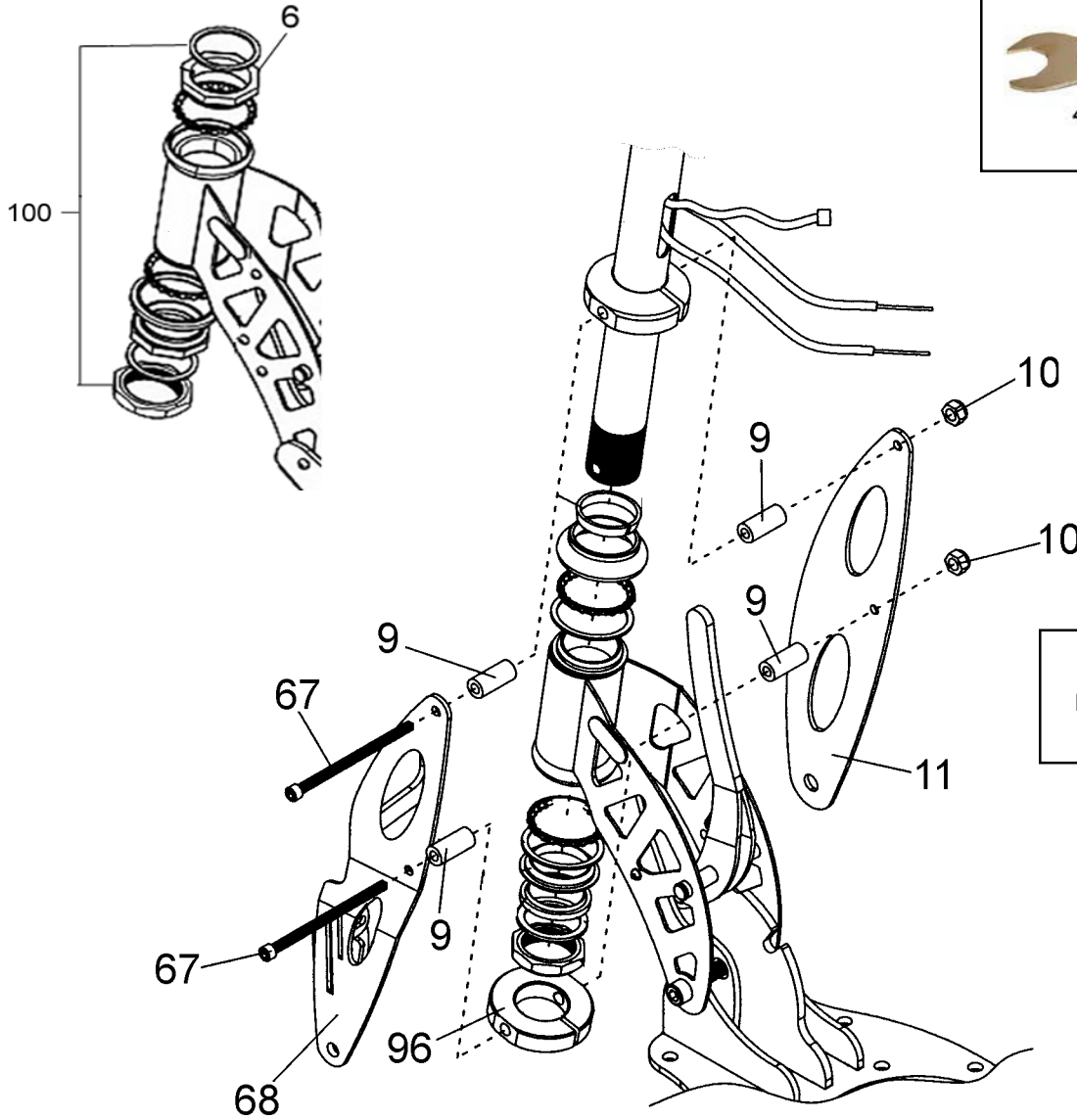
ITEM	PART NUMBER	DESCRIPTION	QTY	COMMENTS
6-10	30821	NUT,M8xP1.25	3	
6-22	30830	WASHER,SPRING M6	4	
6-57	31003	HUB,NON-THREADED	1	See page 6 for aluminum style hubs
6-58	30823	TIRE,10"	1	
6-59	31004	HUB,THREADED	1	See page 6 for aluminum style hubs
6-60	31105	BOLT,M8xP1.25x30	3	
6-61	30883	BEARING,6200-2RS	2	
6-64	31028	SPACER,FRONT WHEEL	1	
6-65	30829	DISC,BRAKE,XTR	1	
6-69	31106	BOLT,M6xP1.0x12	4	
6-99	31107	WASHER	6	
6-100	31108	PLATE,BRAKE	1	
6-104	30911	TUBE,TIRE	1	

### Aluminum Wheel Version



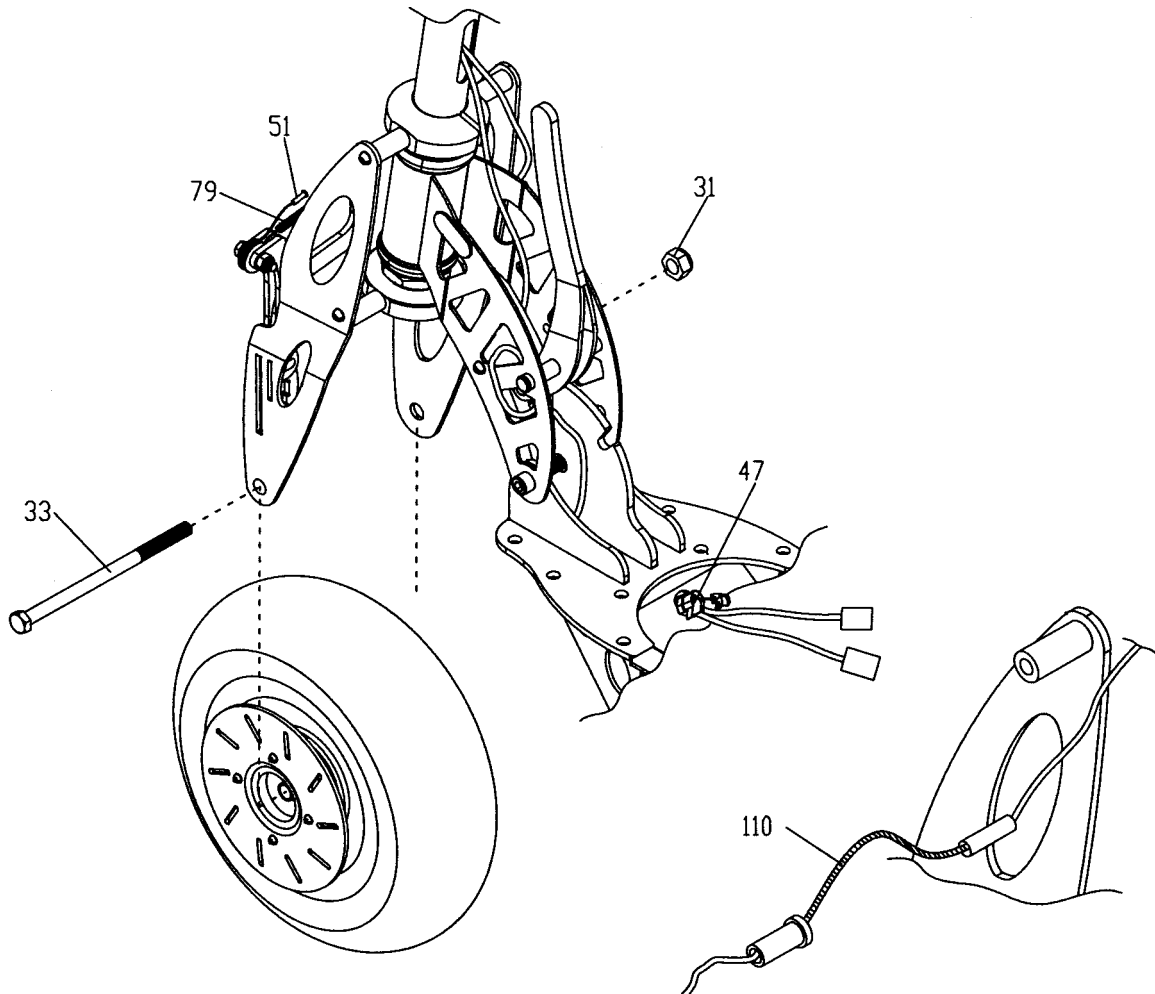
ITEM	PART NUMBER	DESCRIPTION	QTY	COMMENTS
7-22	30830	WASHER,SPRING M6	4	
7-56	31837	SPACER,FRONT WHEEL	1	
7-57	31688	HUB,BILLET,FRONT,RIGHT	1	
7-58	30823	TIRE,10"	1	
7-59	31689	HUB,BILLET,FRONT,LEFT	1	
7-60	31105	BOLT,M8xP1.25x30	4	
7-61	30883	BEARING,6200-2RS	2	
7-64	31028	SPACER,FRONT WHEEL	1	
7-65	31685	DISC,BRAKE,XTR	1	
7-69	31106	BOLT,M6xP1.0x12	4	
7-98	30911	TUBE,TIRE	1	
7-101	31838	WASHER	1	





Use #31619 to order  
Front Fork Set (includes  
#11 & #68)

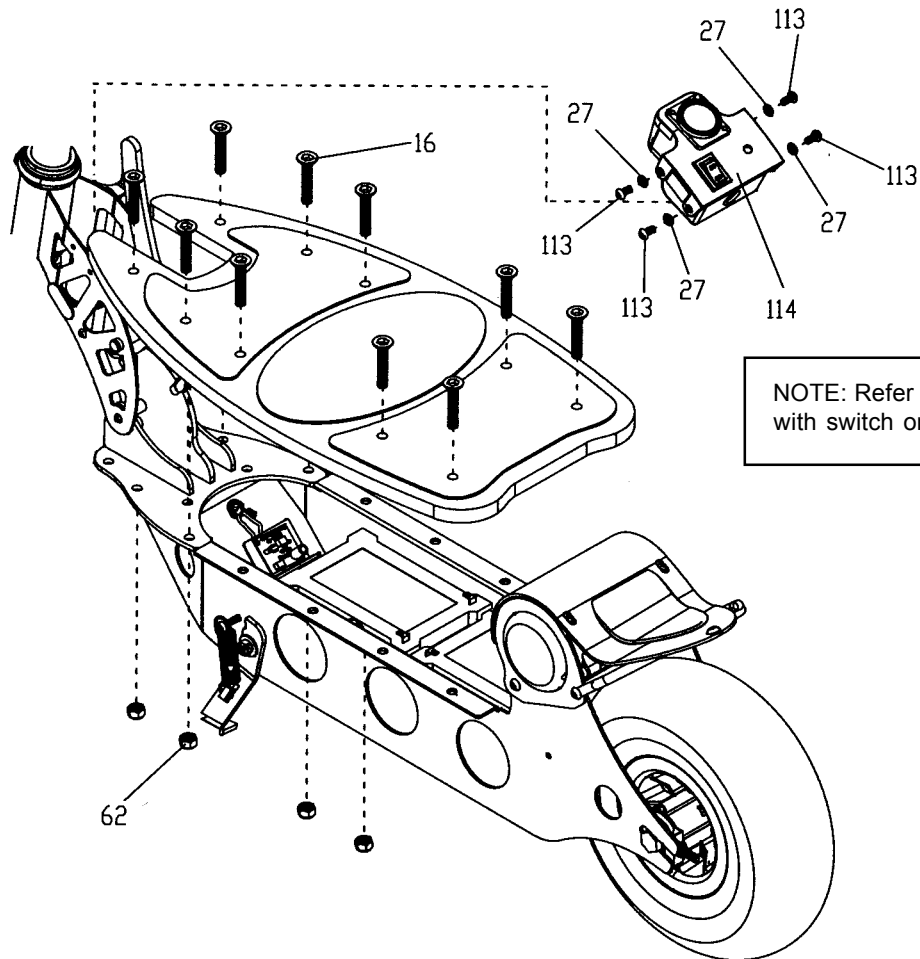
ITEM	PART NUMBER	DESCRIPTION	QTY	COMMENTS
8-6	31118	SPACER SET,HEAD	1	
8-9	31142	SPACER,T-781	4	
8-10	30821	NUT,M8xP1.25	2	
8-11	30873	RIGHT FRONT FORK (CHROME)	1	Use #31619 - Front Fork Set (pair)
8-67	31143	BOLT,M8xP1.25x130	2	
8-68	30861	LEFT FRONT FORK (CHROME)	1	Use #31619 - Front Fork Set (pair)
8-96	31144	SLEEVE,HANDLE BAR	1	
8-100	31230	HEAD BEARING KIT	1	Head not included



ITEM	PART NUMBER	DESCRIPTION	QTY	COMMENTS
9-31	30880	NUT,M10xP1.5	1	
9-33	30891	BOLT,AXLE,M10xP1.5x145	1	
9-47	31146	CORD,6P-4	1	
9-51	31082	CAP,CABLE END	1	
9-56	31148	SPACER	2	
9-79	31080	SPRING,S-043	1	
9-101	31147	WASHER	1	

### DECK MOUNTING HARDWARE & CONTROL PANEL • FIGURE 10

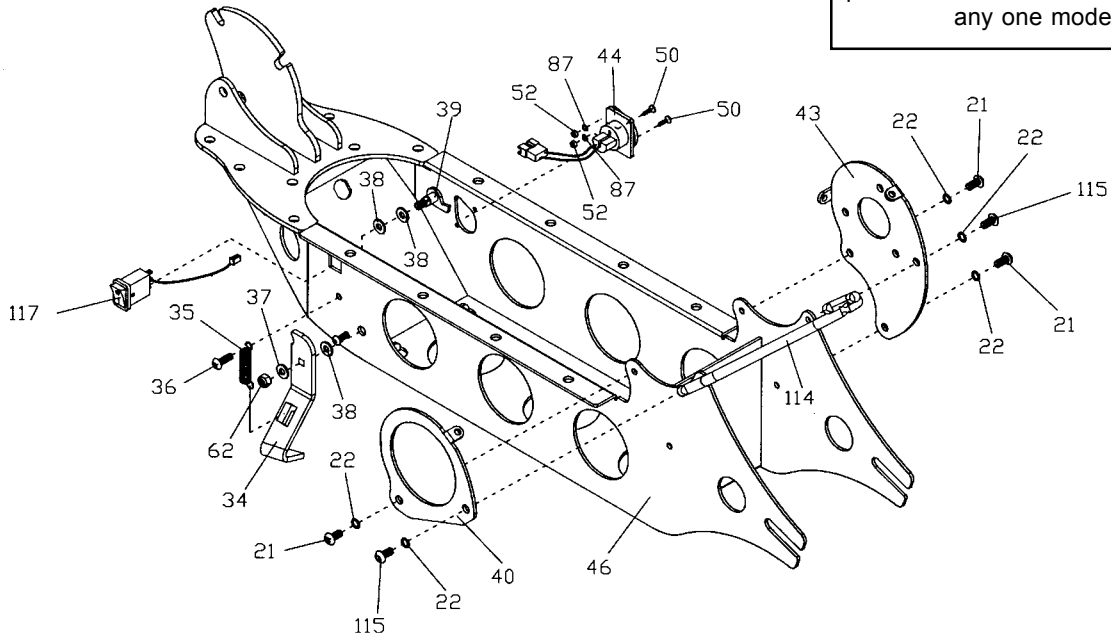
NOTE: On-Off Switch and Charging Port locations vary by model. This illustration depicts all possible parts used and does not represent any one model.



NOTE: Refer to Figure 2 for units with switch on the steering stem

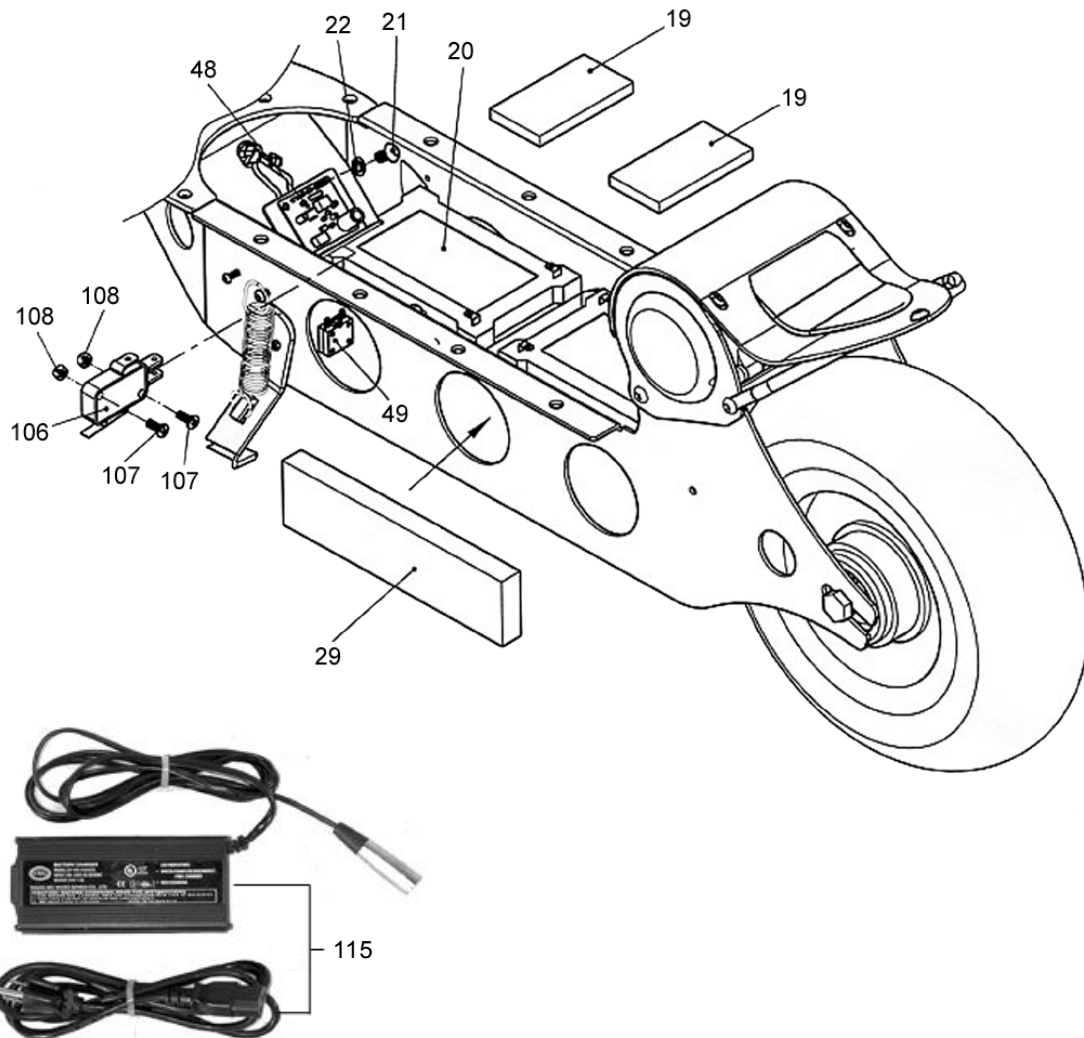
ITEM	PART NUMBER	DESCRIPTION	QTY	COMMENTS
10-16	31090	BOLT,M6xP1.0x25,FLT HD	10	
10-27	31121	WASHER,SPRING,M5	4	
10-62	30936	NUT,M6xP1.0	10	
10-113	31707	SCREW,CONTROL PANEL	4	
10-114	32002	CONTROL PANEL,806,807	1	Includes top, bottom & pigtail

NOTE: On-Off Switch and Charging Port locations vary by model. This illustration depicts all possible parts used and does not represent any one model.

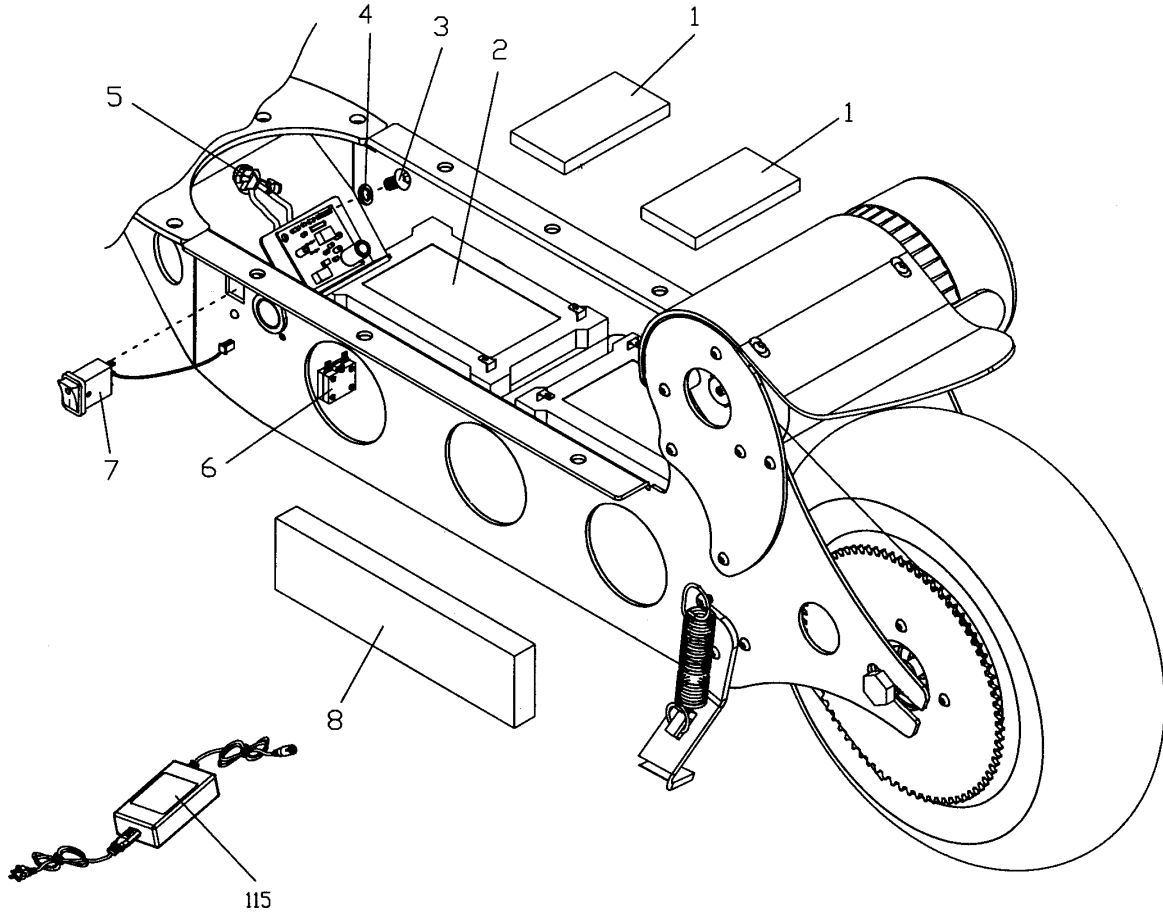


ITEM	PART NUMBER	DESCRIPTION	QTY	COMMENTS
11-21	31097	BOLT,M6xP1.0x10	3	
11-22	30830	WASHER,SPRING M6	5	
11-34	30812	STAND,KICK	1	
11-35	30811	SPRING,KICK STAND	1	
11-36	31383	BOLT,M6XP1.0X25,RD HD	1	
11-37	31124	WASHER	1	
11-38	31125	WASHER	3	
11-39	31126	ARM,SWITCH	1	
11-40	31127	PLATE,MOTOR,BLACK,(L)	1	
11-40	31387	PLATE,MOTOR,GREEN,(L)	1	
11-40	31390	PLATE,MOTOR,GRAPHITE,(L)	1	
11-43	31128	PLATE,MOTOR,BLACK,(R)	1	
11-43	31388	PLATE,MOTOR,GREEN,(R)	1	
11-43	31391	PLATE,MOTOR,GRAPHITE,(R)	1	
11-44	31018	PLUG,CHARGER,(FEMALE)	1	
11-46	30989	FRAME,XTR,BLACK	1	
11-46	31389	FRAME,XTR,GREEN	1	
11-46	31392	FRAME,XTR,GRAPHITE	1	
11-50	31129	BOLT,M2xP0.4x8	2	
11-52	31130	NUT,M2xP0.4	2	
11-62	30936	NUT,M6xP1.0	1	
11-87	31131	WASHER,SPRING,M2	2	
11-114	31152	BRACE,FENDER,XTR	1	
11-115	31132	BOLT,M6xP1.0x13	2	
11-117	31644	SWITCH,ROCKER,3-WIRE	1	

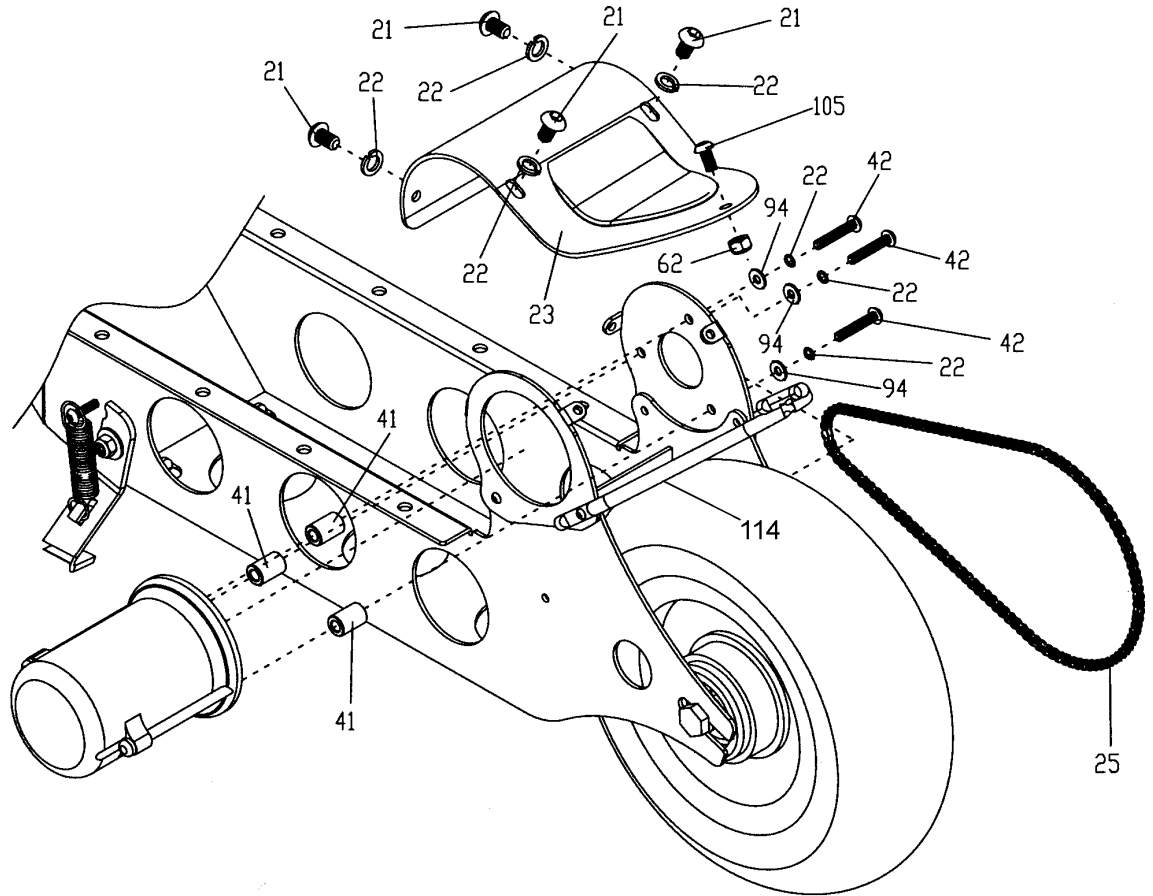
NOTE: The kick stand switch was used on earlier models only.



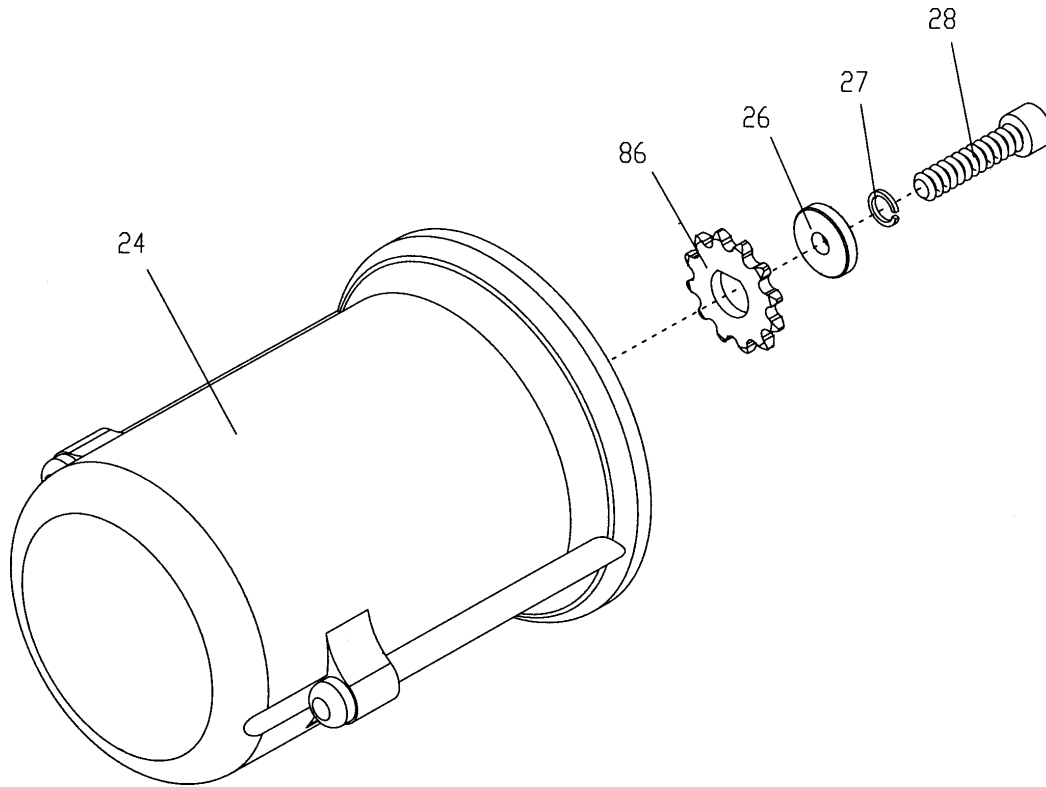
ITEM	PART NUMBER	DESCRIPTION	QTY	COMMENTS
12-19	30998	INSULATOR,BATTERY	2	
12-20	30987	BATTERY SET,XTR	1	
12-21	31097	BOLT,M6xP1.0x10	2	
12-22	30830	WASHER,SPRING M6	2	
12-29	30997	INSULATOR,BATTERY	2	
12-48	31751	CONTROLLER,MC-024D-166	1	Universal Controller - replaces all previous
12-49	30999	CIRCUIT BREAKER SET	1	450-watt controllers
12-106	31153	SWITCH,KICK/STAND,XTR	1	
12-107	31154	BOLT,M3xP0.5x18	2	
12-108	31155	NUT,NYLON,M3xP0.5	2	
12-115	30995	CHARGER,BATTERY,XTR	1	



ITEM	PART NUMBER	DESCRIPTION	QTY	COMMENTS
13-1	30998	INSULATOR,BATTERY	2	
13-2	30987	BATTERY SET,XTR	1	
13-3	31097	BOLT,M6xP1.0x10	2	
13-4	30830	WASHER,SPRING M6	2	
13-5	31751	CONTROLLER,MC-024D-166	1	Universal Controller - replaces all previous
13-6	30999	CIRCUIT BREAKER SET	1	450-watt controllers
13-7	31744	SWITCH,ROCKER,3-WIRE	1	Included with 31751 Univeral Controller
13-8	30997	INSULATOR,BATTERY	2	
13-115	30995	CHARGER,BATTERY,XTR	1	

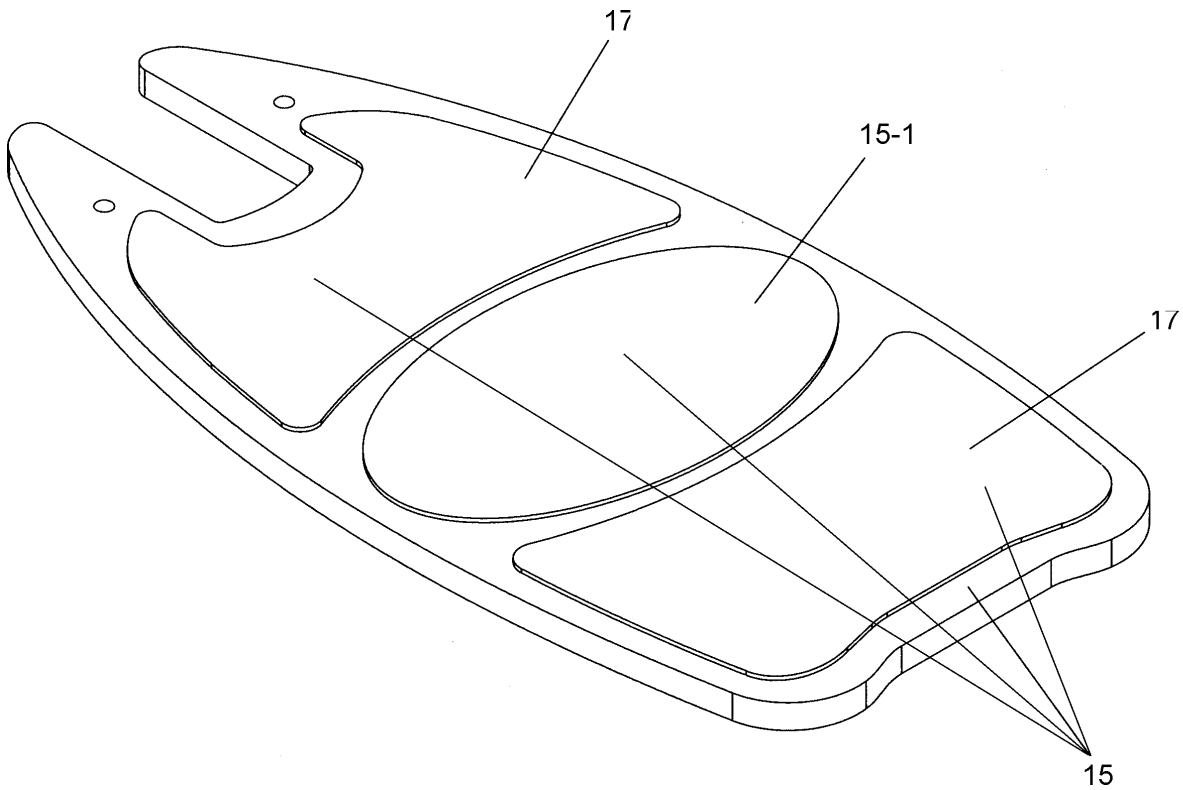


ITEM	PART NUMBER	DESCRIPTION	QTY	COMMENTS
14-21	31097	BOLT,M6xP1.0x10	4	
14-22	30830	WASHER,SPRING M6	7	
14-23	30996	FENDER,CHROME	1	
14-25	31000	CHAIN,XTR,50	1	
14-41	31149	SPACER,T-782	3	
14-42	31150	BOLT,M6xP1.0x35,RD HD	3	
14-62	30936	NUT,M6xP1.0	1	
14-94	31151	WASHER	3	
14-105	31132	BOLT,M6xP1.0x13	1	
14-114	31152	BRACE,FENDER,XTR	1	

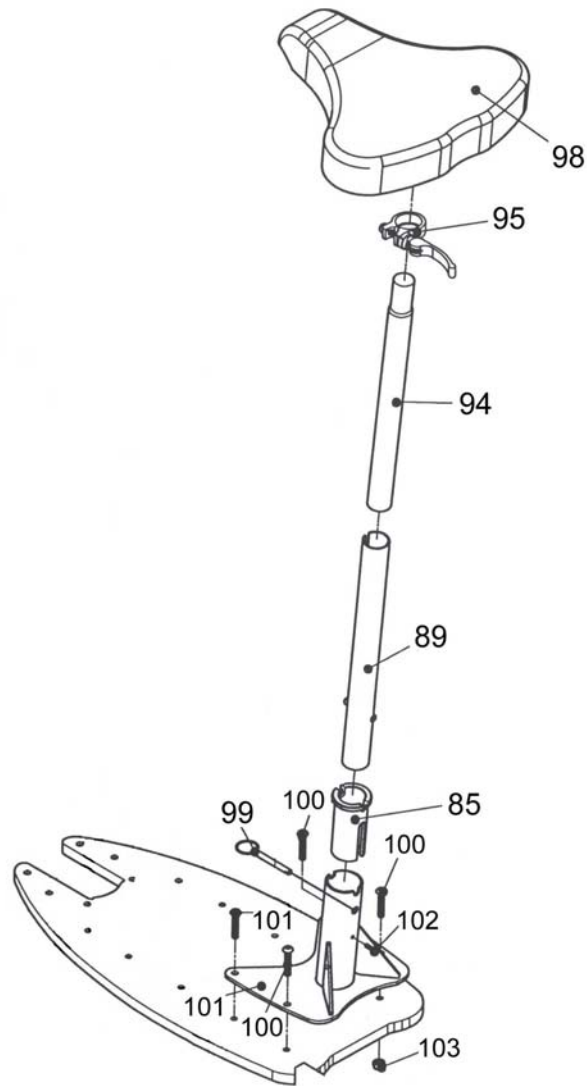


ITEM	PART NUMBER	DESCRIPTION	QTY	COMMENTS
16-24	30991	MOTOR,450W,W PIGTAIL	1	MOTOR WITH PCB PIGTAIL
16-24	32084	MOTOR,450W,NO PIGTAIL	1	MOTOR WITHOUT PCB PIGTAIL
16-26	31120	SPACER,T-810	1	
16-27	31121	WASHER,SPRING,M5	1	
16-28	30810	BOLT,M5xP0.8x15	1	
16-86	31122	SPROCKET,(SMALL),XTR	1	



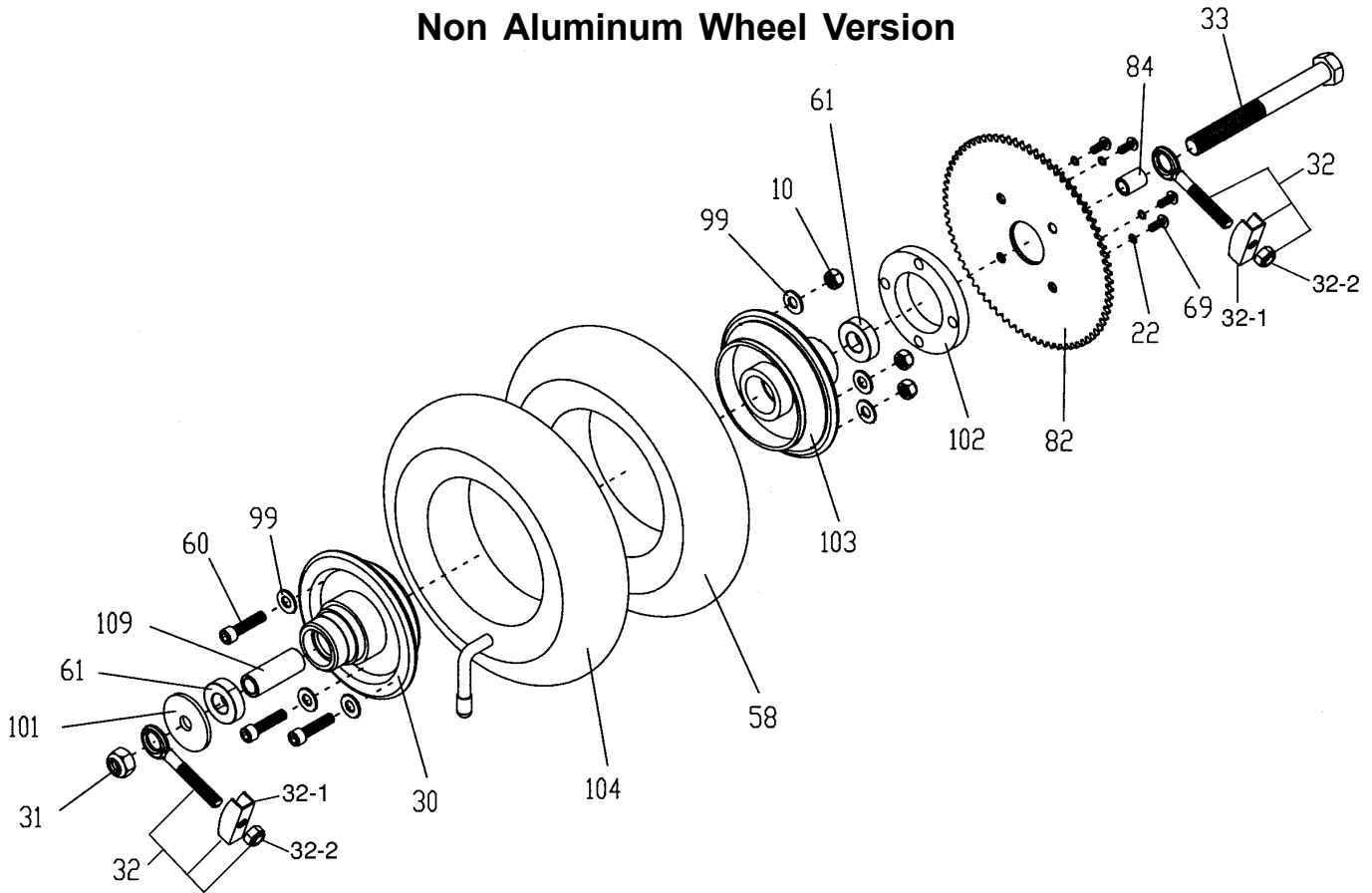


ITEM	PART NUMBER	DESCRIPTION	QTY	COMMENTS
17-15	31839	DECK,ASSY,W-TAPE,DECAL	1	
17-15-1	31841	DECAL SET,XTR	1	Complete unit decal set
17-17	31840	GRIP TAPE SET,XTR	1	Pieces not available individually



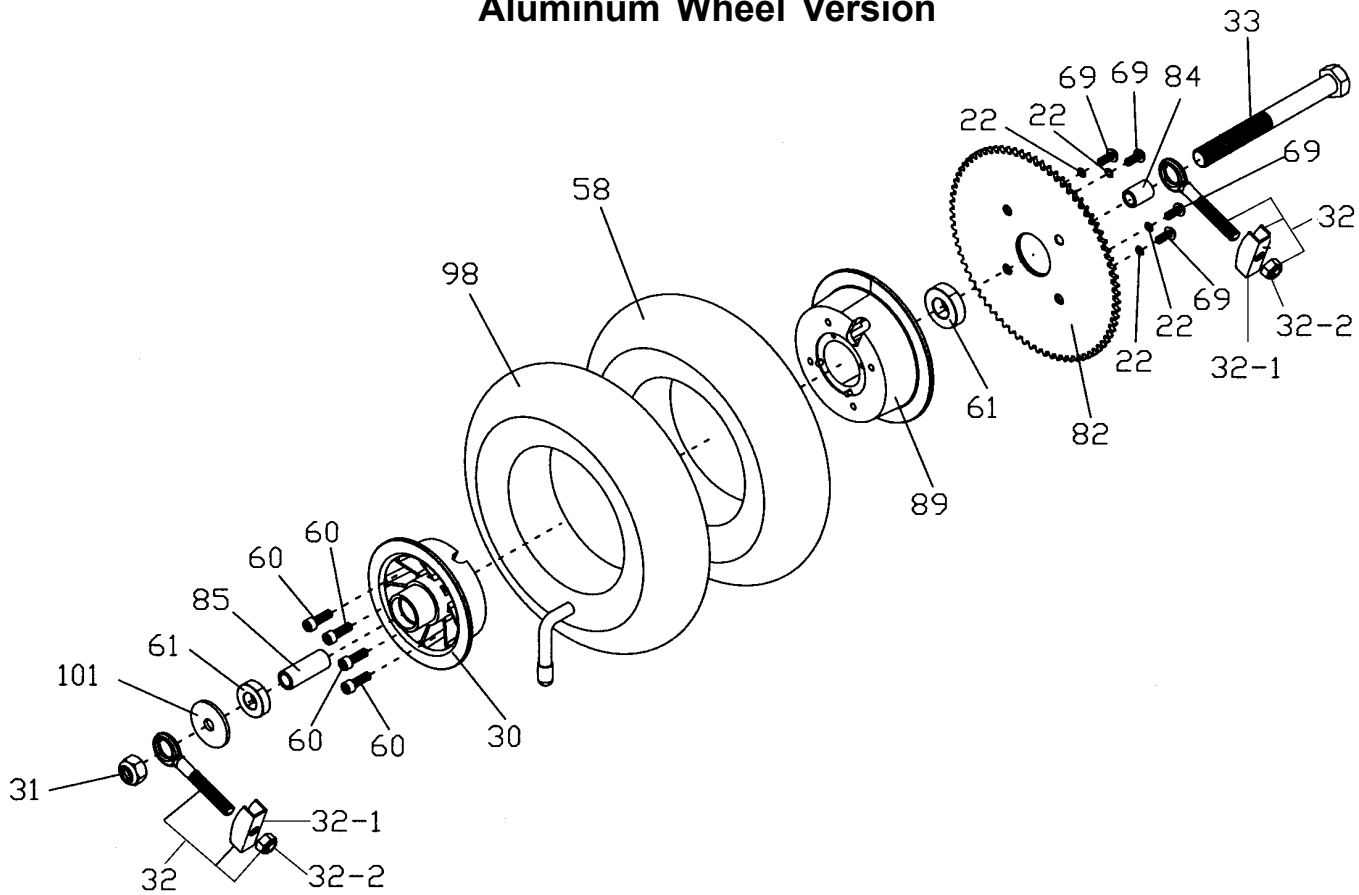
ITEM	PART NUMBER	DESCRIPTION	QTY	COMMENTS
18-45	31134	BOLT	1	
18-85	30979	COUPLER,SEAT STAND	1	
18-89	30978	PIPE,SEAT,LOWER	1	
18-94	30977	PIPE,SEAT,UPPER	1	
18-95	30976	ADJUSTER,SEAT,XTR	1	
18-98	31046	SEAT,XTR,804	1	
18-99	30982	PIN,LOCK	1	
18-100	30831	BOLT,M6xP1.0x32	4	
18-101	30983	PEDESTAL,SEAT KIT,BLACK	1	
18-101	31733	PEDESTAL,SEAT KIT,GREEN	1	
18-102	31134	BOLT	1	
18-103	30936	NUT	4	

#### Non Aluminum Wheel Version



ITEM	PART NUMBER	DESCRIPTION	QTY	COMMENTS
19-10	30821	NUT,M8xP1.25	3	
19-22	30830	WASHER,SPRING M6	4	
19-30	31003	HUB,NON-THREADED	1	
19-31	30880	NUT,M10xP1.5	1	
19-32	30881	SCREW,REAR AXLE TENSION	2	
19-32-1	31679	BASE,ADJUSTER	2	
19-32-2	31680	NUT,ADJUSTER	2	
19-33	30891	BOLT,AXLE 10x145	1	
19-58	30823	TIRE,10"	1	
19-60	31105	BOLT,M8xP1.25x30	3	
19-61	30883	BEARING,6200-2RS	2	
19-69	31106	BOLT,M6xP1.0x12	4	
19-82	31111	SPROCKET,XTR	1	
19-84	31112	SPACER,REAR WHEEL	1	
19-99	31113	WASHER	6	
19-101	31114	WASHER	1	
19-102	31115	GUIDE,GEAR,T-944	1	
19-103	31004	HUB,THREADED	1	
19-104	30911	TUBE,TIRE	1	
19-109	31117	SPACER,T-918	1	

#### Aluminum Wheel Version



ITEM	PART NUMBER	DESCRIPTION	QTY	COMMENTS
20-22	30830	WASHER, SPRING M6	4	
20-30	31697	HUB, BILLET, REAR, LEFT	1	
20-31	30880	NUT, M10xP1.5	1	
20-32	30881	SCREW, REAR AXLE TENSION	2	
20-32-1	31679	BASE, ADJUSTER	2	
20-32-2	31680	NUT, ADJUSTER	2	
20-33	30891	BOLT, AXLE 10x145	1	
20-58	30823	TIRE, 10"	1	
20-60	31105	BOLT, M8xP1.25x30	4	
20-61	30883	BEARING, 6200-2RS	2	
20-69	31106	BOLT, M6xP1.0x12	4	
20-82	31111	SPROCKET, XTR	1	
20-84	31112	SPACER, REAR WHEEL	1	
20-85	31117	SPACER, T-918	1	
20-89	31698	HUB, BILLET, REAR, RIGHT	1	
20-101	31114	WASHER	1	
20-98	30911	TUBE, TIRE	1	