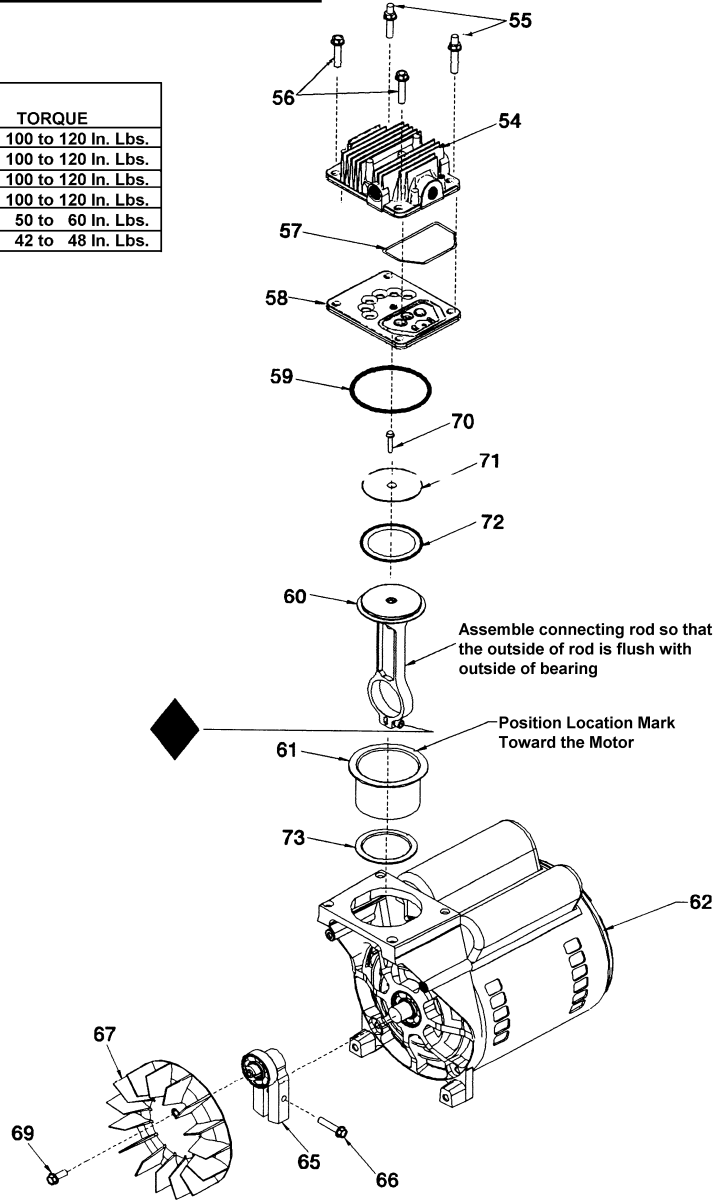


Item No.	Part No.	No. Used	Description	Item No.	Part No.	No. Used	Description
1	CAC-1080	1	Tool Tray	21	AC-0253	1	Solberg Filter 3/8 NPT (Includes Item 74)
2	AC-0233	1	Rear Shroud	22	<b>TIA-4150</b>	1	Safety Valve (Old YYTIA4150)
3	SS-655-ZN	2	Hex Nut 1/4 -20 UNC	23	SSW-7367	2	Strain Relief Bushing
4	CAC-1121	2	Bracket Shroud	24	CAC-1419	1	Pressure Switch Cover
5	AC-0234	1	Pump Assembly (N/A)	25	SSF-1001-1	2	Screw 10-32
6	SSP-6050	1	Connector Male 1/4 NPT	26	YY036003-1	1	Coupler Male 1/4 - 18 NPT
7	SSP-7813	2	3/8" Nut Sleeve Assy	27	DAC-180	1	Pressure Regulator
8	AC-0241-1	1	Outlet Tube	28	AC-0266	2	Gauge (200 PSI) 1/8"
9	<b>SSF-3156</b>	2	Screw (Old YYSSF3156)	29	SSP-513	2	Nipple 1/4 x 1/4 x 1.5
10	AC-0078	1	Shroud Front	30	Z-AC-0197-4	1	Manifold Switch (Old AC-0197-1 & <b>AC-0404</b> )
11	TA-4369	1	Air Receiver (N/A)	31	SUDL-403-1	1	Power Cord Assy
12	AC-0261	1	Grip Handle	32	AC-0155	1	Plate
13	SSP-7811	2	1/4 Nut Sleeve Assy	33	SSN-8001	2	Nylon Fastener
14	SS-8553	1	Connector Body	34	SSP-6021	1	Bushing Reducer
15	AC-0325-1	1	Check Valve(Old CAC-4290-3)	35	AC-0430	1	Drain Valve
16	<b>AC-0240-1</b>	1	Tube (Old AC-0240)	36	AC-0403	1	Head Cover
17	ACG-19	3	Isolator	37	SSF-607	4	Screw
18	ACG-18	2	Saddle Mount Cup				
19	91895680	2	Screw 1/4 - 20 x.75				
20	SST-5314-1	4	Rubber Bumper				

## PUMP & MOTOR ASSEMBLY

KEY NO.	TORQUE
55	100 to 120 In. Lbs.
56	100 to 120 In. Lbs.
66	100 to 120 In. Lbs.
69	100 to 120 In. Lbs.
70	50 to 60 In. Lbs.
◆	42 to 48 In. Lbs.



Item No.	Part No.	No. Used	Description	Item No.	Part No.	No. Used	Description
54	AC-0236	1	Head	70	SSF-3158-1	1	Screw 10-24 x .75 T25 TORX
55	SSF-589	2	Stud ¼ - 20 x 1.125	71	<b>ACG-29</b>	1	Connecting Rod Cap
56	SSF-927	2	Screw ¼ - 20 x 1.125	72	----	1	Compression Ring (N/A) (Purchase P/N K-0058 or K-4835)
57	ACG-45	1	O Ring	73	DAC-161	1	Shim
58	<b>Z-AC-0032</b>	1	Valve Plate Assy (Old AC-0032)	74	AC-0281	1	Air Filter Replacement (Not Illustrated)
59	SSG-8156	1	O Ring	*	KK-4315	1	Pressure Relief Valve Kit (Not Illustrated)
60	KK-4835	1	Piston/Cylinder Kit (Includes Items 57, 59, 61, 70 & 72)	*	KK-0050	1	Cylinder Sleeve/Compression Ring Kit (Includes Items 57, 59, 61, 70 & 72)(Old KK-0058)
61	----	1	Cylinder Sleeve (N/A)(Purchase Item 60 or K-0058)	*	<b>SSP-517</b>	1	Bushing, Reducer, Hex Head
62	<b>Z-MO-9045</b>	1	Motor (Old MO-9045)	*	<b>SSP-512</b>	1	Bushing, Face
65	<b>Z-AC-0140</b>	1	Eccentric Bearing Assy (Old AC-0140)	*	<b>AC-0231</b>	1	Nipple
66	SSF-615	1	Screw ¼ - 20 UNC - 2A				
67	AC-0108	1	Fan				
69	SSF-586	1	Screw ¼ - 20 UNC x .75				