



SERVICE PARTS LIST

BULLETIN NO.
54-02-1210

SPECIFY CATALOG NO. AND SERIAL NO. WHEN ORDERING PARTS		REVISED BULLETIN	DATE Sept.'87
1/2 TON TROLLEY		WIRING INSTRUCTION	
CATALOG NO.	9610	DATE CODE	486

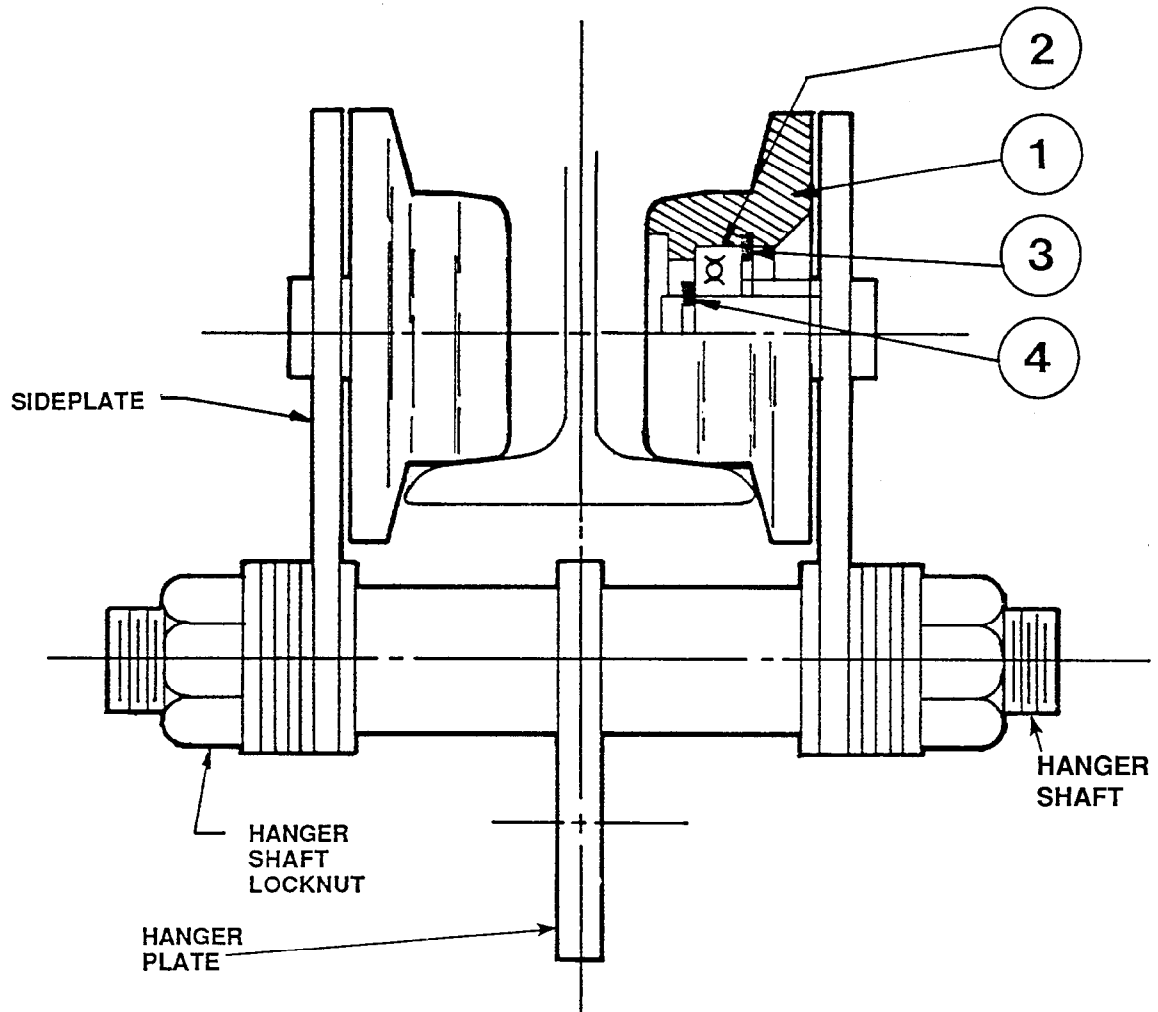


FIG	PART NO.	DESCRIPTION OF PART	QTY.
1	45-94-0260	Wheel	(4)
2	02-04-1535	Ball Bearing	(4)
3	34-80-2400	Retaining Ring	(4)
4	34-60-1200	Retaining Ring	(4)