



# SERVICE PARTS LIST

**BULLETIN NO.**  
**54-22-1191**

SPECIFY CATALOG NO. AND SERIAL NO. WHEN ORDERING PARTS		REVISED BULLETIN	DATE
<b>5" STRAIGHT GRINDER</b>		54-22-1190	Nov. '88
CATALOG NO. <b>5223</b>	STARTING SERIAL NO. <b>584-2000</b>	WIRING INSTRUCTION <b>58-01-0301</b>	

**EXAMPLE:**  

00	0
----	---

 Component Parts ( Small #) Are Included  
 When Ordering The Assembly (Large #).

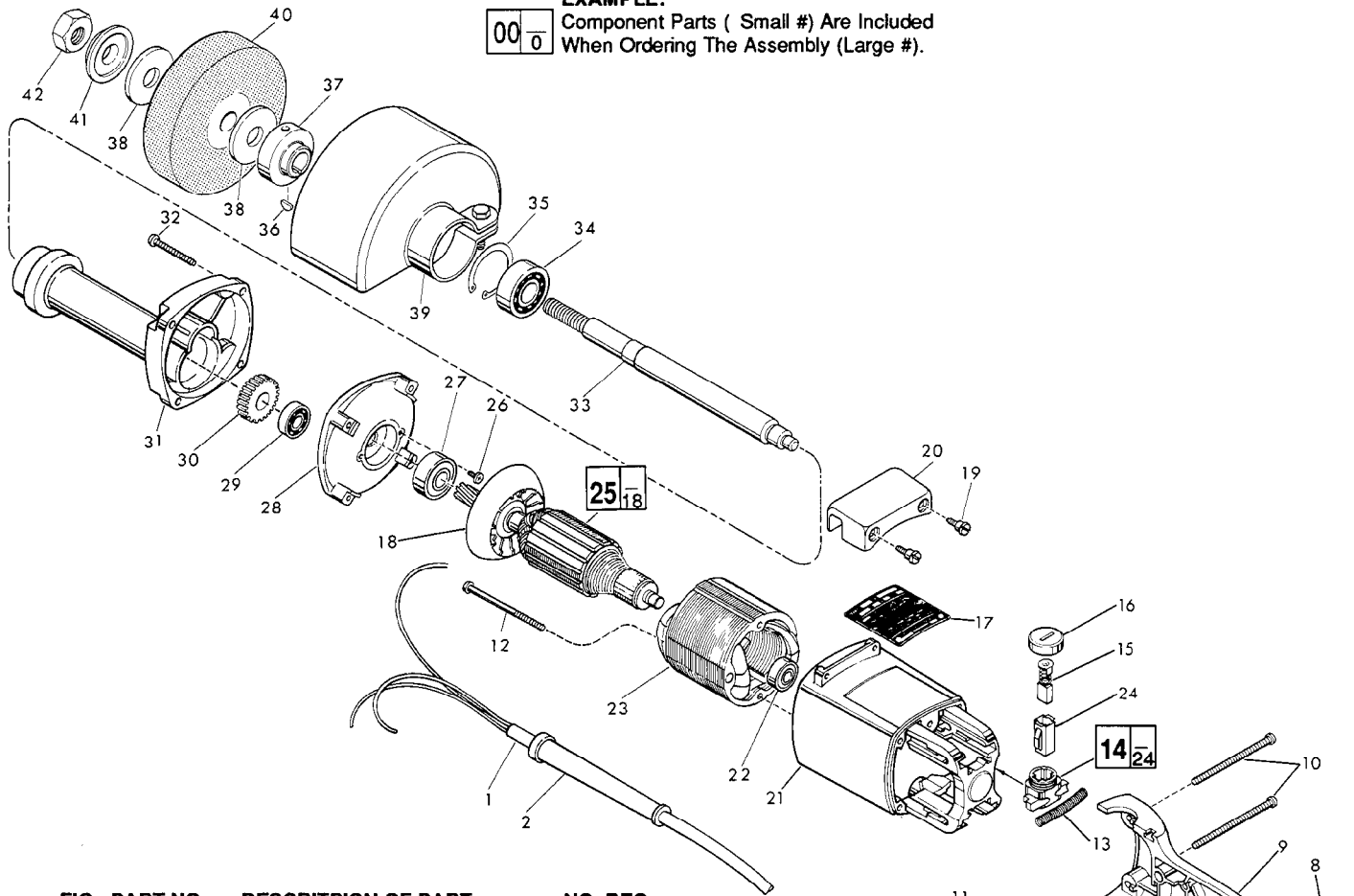


FIG.	PART NO.	DESCRIPTION OF PART	NO. REQ.
	1	22-64-0121 Cord Set	(1)
	2	44-76-0050 Cord Protector	(1)
	3	31-44-1115 Left Handle Half	(1)
	4	06-55-1050 10-24 Hex Nut	(5)
	5	06-97-1800 No. 6 Int. Tooth Lock Washer	(4)
	6	23-66-0255 Switch	(1)
	7	06-82-7409 8-16x1/2 Pan Hd. Plast. Torx Screw	(1)
	8	06-82-2568 10-24x7/8" Slit. Pan Hd. Torx Screw	(3)
	9	31-44-1110 Right Handle Half	(1)
	10	06-82-2598 10-24 x 2-3/4" Slit. Pan Hd. Torx Screw	(2)
	11	42-38-0190 Bumper	(1)
★	12	06-82-7375 8-16 x 2-1/2" Torx Tapitite Screw	(2)
	13	40-50-7770 Brush Holder Spring	(2)
★	14	22-22-1325 Brush Holder Assembly	(2)
★	15	22-18-0680 Carbon Brush Assembly	(2)
★	16	23-44-0210 Brush Retaining Screw	(2)
	17	12-99-0303 Nameplate (Service)	(1)
	18	22-84-0710 Fan	(1)
	19	45-04-0570 Shoulder Screw	(2)
	20	31-70-0125 Tool Rest	(1)
★	21	31-50-0540 Motor Housing	(1)
	22	02-04-0845 Ball Bearing	(1)
	23	18-50-0135 120 Volt Field	(1)
	24	22-20-0660 Brush Tube	(2)
	25	16-50-0135 120 Volt Armature	(1)
	26	22-56-0456 Terminal Block	(1)
	27	02-04-1515 Ball Bearing	(1)
	28	28-28-1567 Diaphragm	(1)
	29	02-04-0910 Ball Bearing	(1)
	30	32-75-3140 Spindle Gear	(1)
	31	28-50-6196 Spindle Housing	(1)

FIG.	PART NO.	DESCRIPTION OF PART	NO. REQ.
	32	06-82-7407 10-14 x 1-9/16" Pan Hd. Torx Screw	(4)
	33	38-50-5340 Spindle Shaft	(1)
	34	02-04-1746 Ball Bearing	(1)
	35	34-80-2960 Internal Retaining Ring	(1)
	36	06-42-1200 Woodruff Key	(1)
	37	43-34-0191 Inner Wheel Flange	(1)
	38	45-88-0165 Rubber Washer	(2)
	39	49-12-0290 Wheel Guard	(1)
	40	5" Grinding Wheel(Select from Catalog)	(1)
	41	43-34-0192 Outer Wheel Flange	(1)
	42	06-55-3250 5/8 - 11 Hex Nut	(1)
		49-96-4072 1-1/16" Open End Wrench	(1)
		49-96-6600 Spanner Wrench	(1)

**FIG. LUBRICATION**

31 3/4 Oz. Type "D" Grease, No. 49-08-4110.

**MILWAUKEE ELECTRIC TOOL CORPORATION**  
 13135 W. LISBON RD., BROOKFIELD, WI 53005