

OPERATING INSTRUCTIONS AND PARTS LIST FOR

CATALOG NUMBER
4777



MILWAUKEE ELECTRIC TOOL CORP.

AC ALTERNATOR

DEPENDABLE POWER

WHEN ORDERING REPAIR PARTS, ALWAYS GIVE THE FOLLOWING
INFORMATION AS SHOWN IN THIS LIST:

1. M.E.T.CO. PART NUMBER
2. The PART NAME

3. M.E.T.CO. CAT. NO. 4777
4. The NAME of Item: AC ALTERNATOR

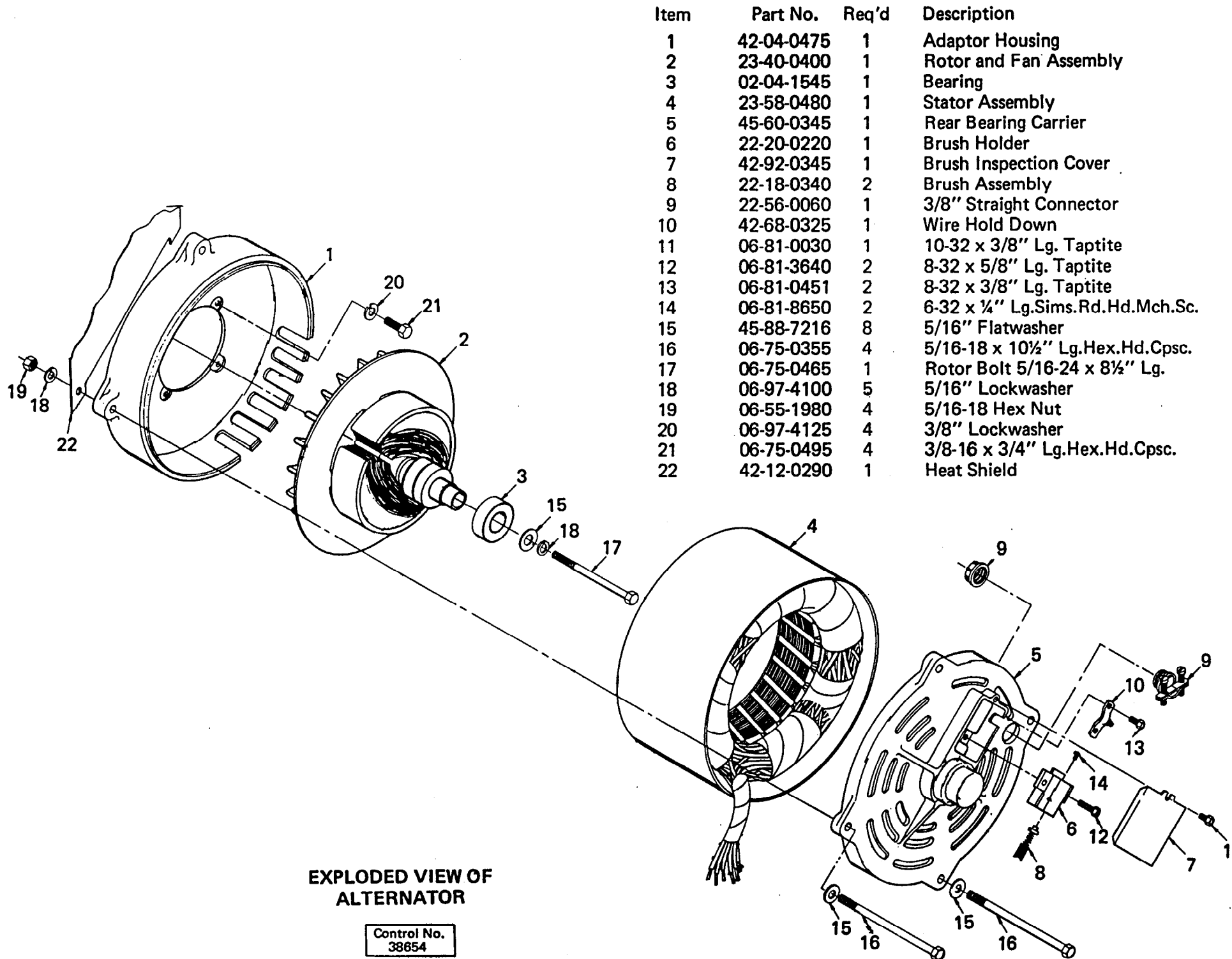
5. STARTING SERIAL NO. 510-1001

**MILWAUKEE ELECTRIC TOOL CORPORATION
13135 WEST LISBON ROAD
BROOKFIELD, WISCONSIN 53005**



Printed in USA-100

IMPORTANT . . . SAVE THIS FOR FUTURE REFERENCE

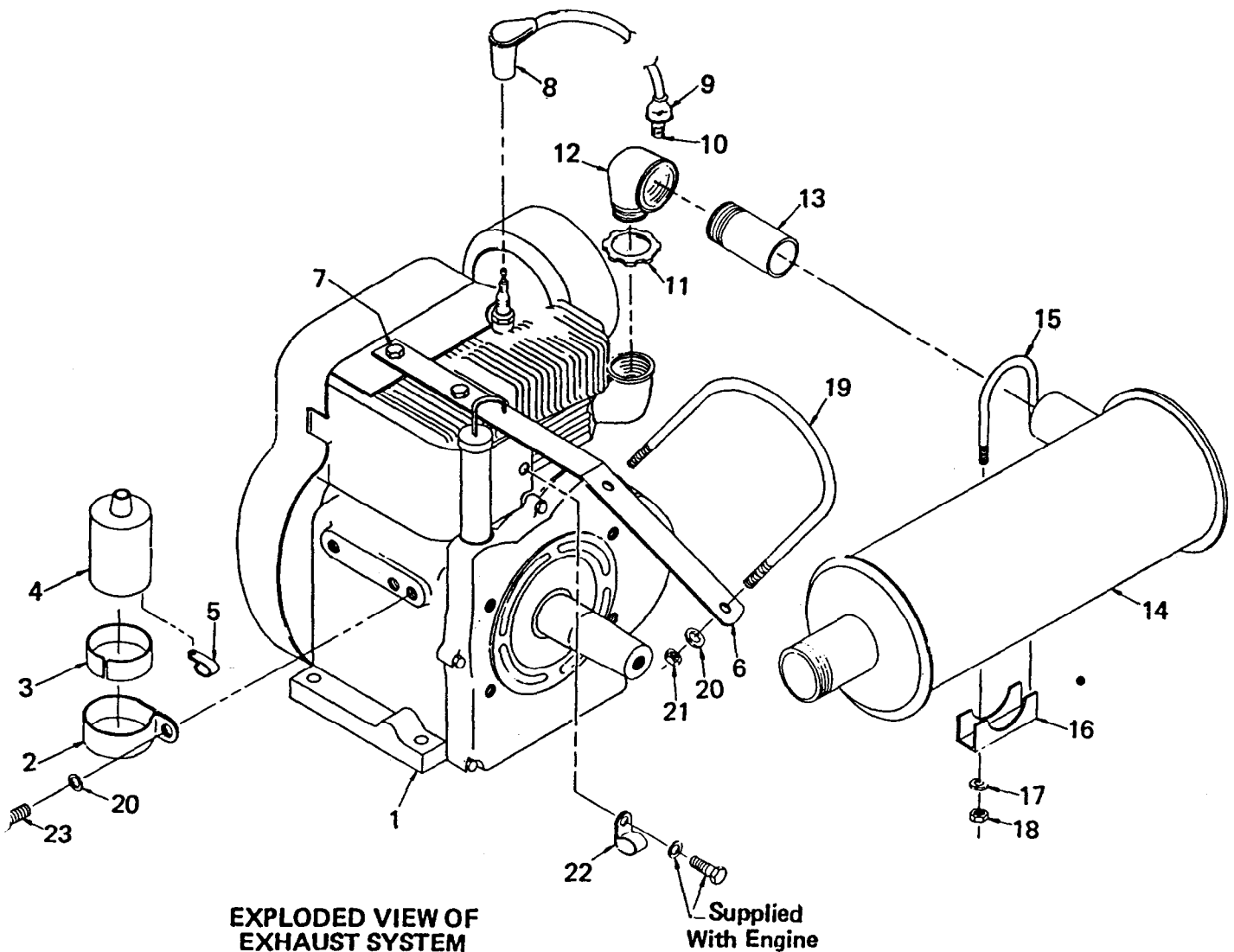


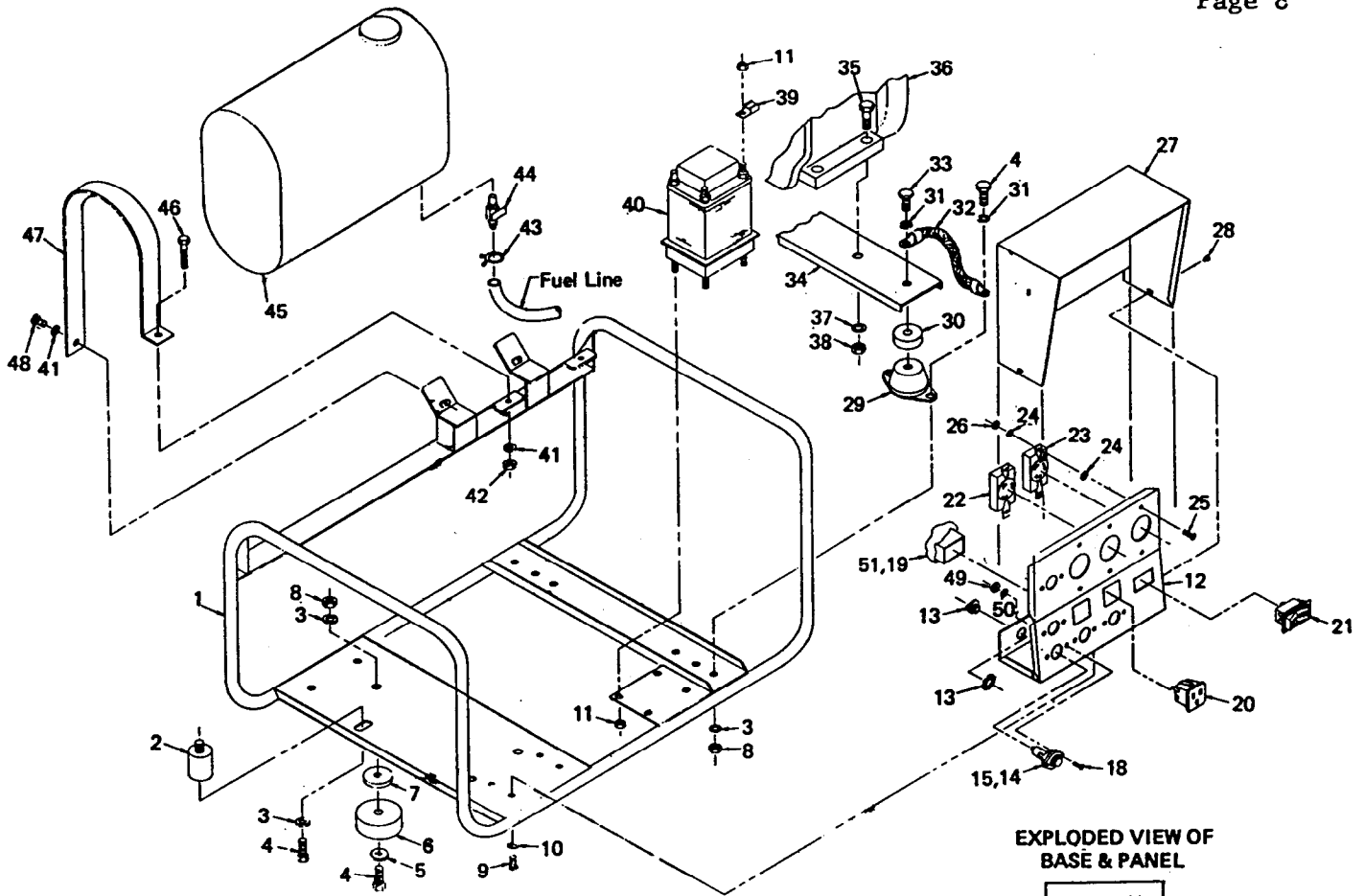
Item	Part No.	Req'd	Description
1	42-04-0475	1	Adaptor Housing
2	23-40-0400	1	Rotor and Fan Assembly
3	02-04-1545	1	Bearing
4	23-58-0480	1	Stator Assembly
5	45-60-0345	1	Rear Bearing Carrier
6	22-20-0220	1	Brush Holder
7	42-92-0345	1	Brush Inspection Cover
8	22-18-0340	2	Brush Assembly
9	22-56-0060	1	3/8" Straight Connector
10	42-68-0325	1	Wire Hold Down
11	06-81-0030	1	10-32 x 3/8" Lg. Taptite
12	06-81-3640	2	8-32 x 5/8" Lg. Taptite
13	06-81-0451	2	8-32 x 3/8" Lg. Taptite
14	06-81-8650	2	6-32 x 1/4" Lg. Sims. Rd. Hd. Mch. Sc.
15	45-88-7216	8	5/16" Flatwasher
16	06-75-0355	4	5/16-18 x 10 1/2" Lg. Hex. Hd. Cpnc.
17	06-75-0465	1	Rotor Bolt 5/16-24 x 8 1/2" Lg.
18	06-97-4100	5	5/16" Lockwasher
19	06-55-1980	4	5/16-18 Hex Nut
20	06-97-4125	4	3/8" Lockwasher
21	06-75-0495	4	3/8-16 x 3/4" Lg. Hex. Hd. Cpnc.
22	42-12-0290	1	Heat Shield

EXPLODED VIEW OF ALTERNATOR

Control No.
38654

Item	Part No.	Req'd	Description
1	43-20-4400	1	Engine Wisc.TRA 12
2	45-60-0355	1	Coil Support
3	45-36-0790	1	Spacer
4	22-51-0190	1	Ignition Coil
5	42-68-0350	1	Clamp
6	45-60-0350	1	Muffler Support
7	06-75-0345	2	Hex Hd. Cpsc. 5/16-18 x 2-3/4 Lg.
8	23-94-9565	1	Spark Plug Wire
9	23-16-0345	1	Coil Nipple
10	42-70-0170	1	Coil Clip
11	06-57-7480	1	Pipe Lock Nut 1"
12	43-33-0295	1	90° Red. St.Ell. 1 x 1 1/4
13	43-33-0480	1	Half Nipple 1 1/4 x 3
14	43-31-0250	1	Muffler
15	42-68-0330	1	U Bolt
16	42-68-0335	1	Saddle
17	06-97-4100	2	Lock Washer 5/16
18	06-55-1980	2	Hex Nut 5/16-18
19	42-68-0340	1	U Bolt
20	06-97-4125	3	Lock Washer 3/8
21	06-55-2400	2	Hex Nut 3/8-16
22	42-68-0345	1	Clamp
23	06-75-0495	1	Hex Hd.Cpsc. 3/8-16 x 3/4





EXPLODED VIEW OF
BASE & PANEL

Control No.
38653

Item	Part No.	Req'd	Description	Item	Part No.	Req'd	Description
1	42-20-0450	1	Mounting Base	28	06-81-0275	4	Whiz Screw
2	43-33-0470	1	Vibration Dampner	29	43-33-0310	2	Vibration Dampner
3	06-97-4100	10	5/16 Lock Washer	30	45-36-0785	2	Spacer
4	06-75-0340	9	Hex Hd.Cpsc. 5/16-18 x 1" Lg.	31	06-97-1020	2	5/16 External Shakeproof
5	45-88-5261	4	Flat Washer 3/8	32	45-56-0145	1	Ground Strap
6	43-33-0300	4	Vibration Dampner	33	06-75-0525	2	Hex Hd.Cpsc. 3/8-16 x 1-3/4 Lg.
7	45-88-7200	4	Spacer	34	42-36-0395	1	Engine Support
8	06-55-1980	8	Hex Nut 5/16-18	35	06-75-0600	2	Hex Hd.Cpsc.3/8-16 x 1-3/4 Lg.
9	06-81-4652	4	Hex Hd. Mch.Sc.No.10-32 x 1/2 Lg.	36	Ref. dwg.38622	1	TRA 12-D Engine
10	06-97-3400	4	No. 10 Lock Washer	37	06-97-4125	2	Lock Washer 3/8
11	06-57-3000	5	No. 10-32 Lokut Hex Nut	38	06-55-2400	2	Hex Nut 3/8-16
12	23-35-0170	1	Control Panel	39	23-74-0480	1	Ground Terminal
13	22-56-0060	2	3/8 Straight Connector	40	23-81-0200	1	Reactor Assembly
14	23-04-0060	5	Fuse Holder	41	06-97-1000	4	1/4 Lock Washer
15	22-89-0090	2	Fuse 20 Amp	42	06-55-1500	2	1/4-20 Hex Nut
16	22-89-0100	1	Fuse 30 Amp	43	42-68-0280	2	Hose Clamp
17	22-89-0060	2	Fuse 15 Amp (Not Shown)	44	45-80-0145	1	Shut Off Valve
18	06-81-5630	10	Phil.Pan Hd.Mach.Sc.No.8-32 x 1/2 Lg.	45	45-66-0065	1	Fuel Tank
19	23-38-2585	1	Rectifier Assembly	46	06-75-0200	1	Hex Hd.Cpsc. 1/4-20 x 1 1/4 Lg.
20	23-33-0130	2	115 V Parallel Blade Cutlet	47	45-56-0140	2	Tank Strap
21	23-66-0950	1	Rocker Switch Spst.	48	06-81-4720	2	Rd.Hd.Mach.Sc. 1/4-20 x 5/8 Lg.
22	23-33-0255	2	125 V 20 A Twist-Lok Outlet	49	06-55-0825	10	No. 8-32 Hex Nut
23	23-33-0265	1	250 V 30 A Twist-Lok Outlet	50	06-97-3200	10	No. 8 Lock Washer
24	06-97-0870	12	No. 10 External Shakeproof	51	42-36-0397	1	Rectifier Support Assembly
25	06-81-4212	6	Phil.Pan Hd.Mach.Sc.No. 10-32 x 1/2 Lg.	52	23-33-0260	2	125 V 20 A Twist-Lok Plug (Not Shown)
26	06-55-1100	6	Hex Nut No. 10-32	53	23-33-0270	1	250 V 30 A Twist-Lok Plug (Not Shown)
27	45-12-0285	1	Panel Shroud				