

## Cordless Drill Driver - 0 601 860 411 - 36614

[www.powertools-aftersaleservice.com](http://www.powertools-aftersaleservice.com)



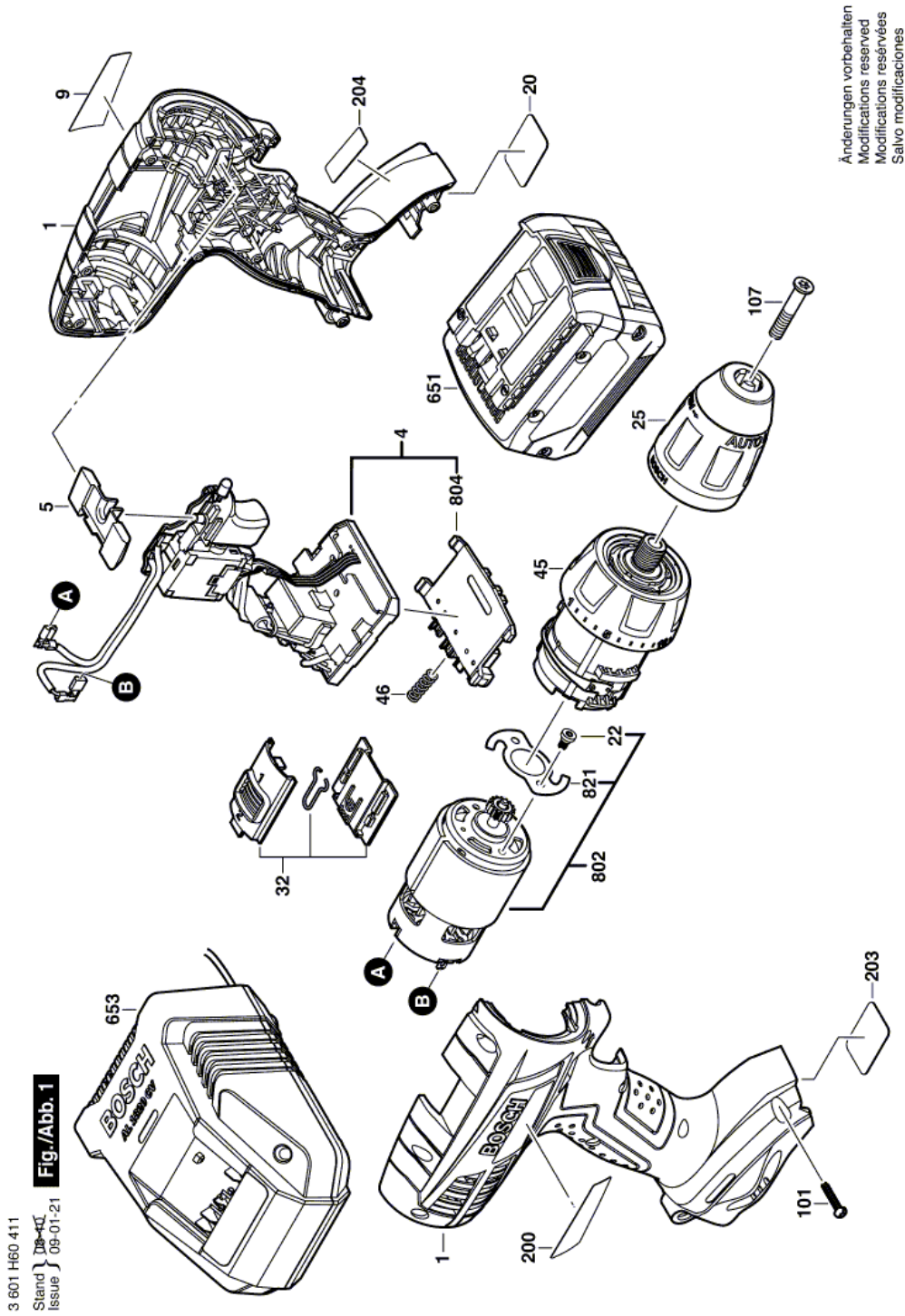
**BOSCH**

Item	Part Number	Description	Illustration	Price	Quantity	Price Group
1	2 605 105 134	Housing Section BLUE	1	-,-	1	31
4	1 607 233 300	Electronic Module	1	-,-	1	44
5	2 601 099 188	Adjusting Slide	1	-,-	1	12
9	2 601 115 570	Manufacturer's nameplate LITHEON COMPACT TOUGH 14,4V	1	-,-	1	13
20	2 601 115 572	Nameplate	1	-,-	1	13
22	2 609 110 634	Screw	1	-,-	1	10
25	2 608 572 251	Keyless Chuck 13 MM	1	-,-	1	40
32	2 601 099 189	Adjusting Slide RED	1	-,-	1	17
45	2 606 200 262	Planetary Gear Train	1	-,-	1	41
46	2 604 690 055	Compression Spring	1	-,-	1	10
101	2 609 110 201	Torx Flat-Head Screw 3x16	1	-,-	11	10
107	2 609 110 635	Pan head screw M 6x30	1	-,-	1	11
200	2 601 115 571	Warning Plate	1	-,-	1	13
203	2 601 115 573	Reference Plate	1	-,-	1	13
204	2 601 115 574	Warning Plate	1	-,-	1	13
651	2 607 336 079	Battery Set 14,4V, 2,6Ah, LI, MS	1	-,-	1	50
651	2 607 336 153	Battery Set 14,4V, 1,3Ah, LI, MS	1	-,-	1	44
653	2 607 225 327	Charger USA 120/10,8-18V, 30 MIN	1	-,-	1	49
802	2 607 022 833	DC motor 14,4V	1	-,-	1	42
804	1 609 280 474	Contact retainer	1	-,-	1	26
821	2 609 110 633	Tab Washer	1	-,-	1	11

## Product information Cordless Drill Driver - 0 601 860 411 - 36614

Product No	0 601 860 411
Description	251.119; Cordless Drill Driver
DIN-Text	
ID_Text_Ext	0
Trading_Description	36614
Voltage_1	14,4 V
ID_Country_Product	USA

Illustration - Type E



Information subject to change without further notice.